



Manuals.plus /

› PRIME-LINE /

› Prime-Line H 3572 Left-Handed Diecast Bronze Casement Window Lock Instruction Manual

PRIME-LINE H 3572

Prime-Line H 3572 Left-Handed Diecast Bronze Casement Window Lock Instruction Manual

1. PRODUCT OVERVIEW

The Prime-Line H 3572 is a left-handed diecast bronze casement window lock designed for use with various vinyl or wood window manufacturers. This lock is installed on the opening edge of the casement window. Its lever mechanism operates a steel latch within the housing, which engages with a separate keeper on the opposite side to secure the window.

Components:

- Diecast Bronze Lock Housing with Lever
- Steel Latch Mechanism (internal)
- Zinc Plated Keeper
- Mounting Screws (typically included)



Figure 1: Prime-Line H 3572 Left-Handed Casement Window Lock. This image displays the main lock assembly with its lever and the separate keeper component, both in a bronze finish.

2. SPECIFICATIONS

Feature	Detail
Brand	PRIME-LINE
Model Number	H 3572
Handing	Left-Handed
Material	Diecast Metal (Lock Housing), Steel (Latch), Zinc Plated (Keeper)
Finish	Bronze Painted (Lock Housing), Zinc Plated (Keeper)
Mounting Type	Surface Mount
Product Dimensions	0.75 x 3.81 x 3 inches (approximate)
Item Weight	7.4 ounces

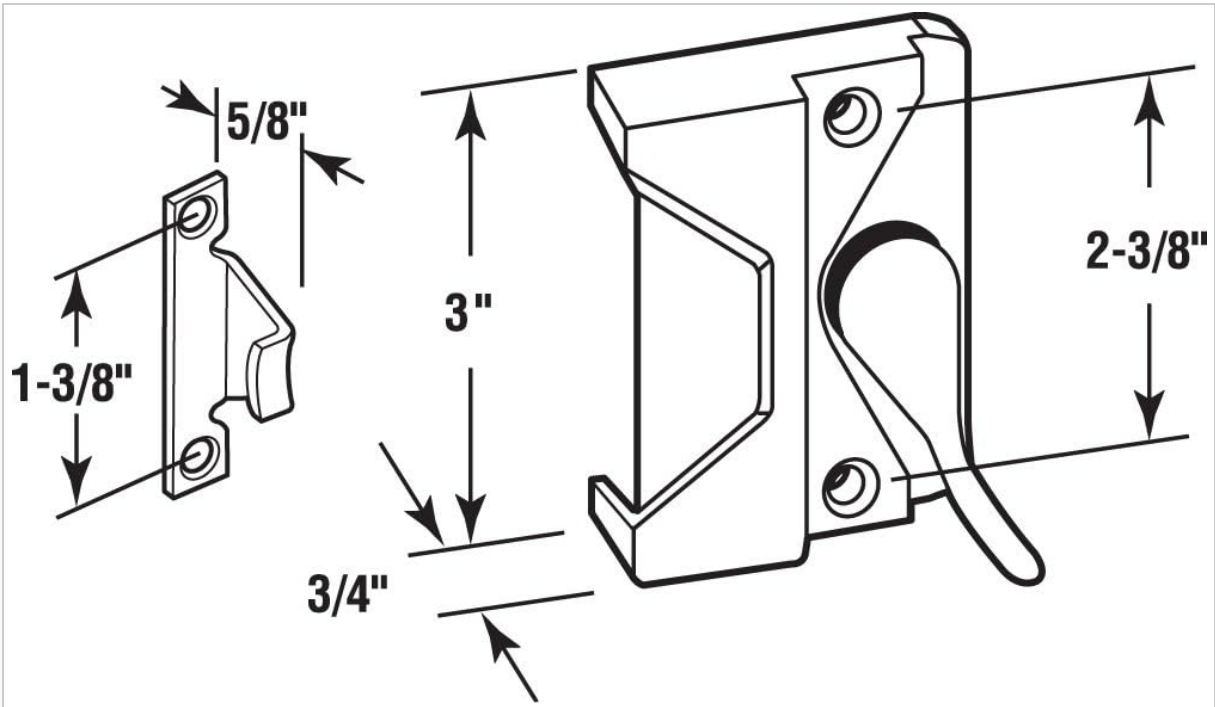


Figure 2: Dimensional drawing of the casement window lock and keeper, showing key measurements for installation planning.

3. INSTALLATION (SETUP)

Tools Required:

- Phillips Head Screwdriver
- Pencil or Marker
- Drill with appropriate drill bit (for pilot holes, if necessary)
- Measuring Tape

Step-by-Step Installation:

1. **Prepare the Window:** Ensure the casement window is clean and free of debris where the lock will be installed. Close the window completely and ensure it is properly aligned.
2. **Position the Lock Body:** Place the main lock body (with the lever) on the opening edge of the casement window frame. For a left-handed lock, the lever should point towards the window's opening direction when unlocked. Align the lock body so that its internal latch mechanism will meet the keeper when the window is closed. Mark the screw hole locations with a pencil.
3. **Install the Lock Body:** If installing on wood, pre-drill pilot holes at the marked locations to prevent wood splitting. For vinyl, pre-drilling may also be beneficial. Secure the lock body to the window frame using the provided screws and a Phillips head screwdriver. Do not overtighten.
4. **Position the Keeper:** With the window closed and the lock body installed, engage the lock lever to extend the latch. Position the keeper on the stationary window sash or frame so that it aligns perfectly with the extended latch. The latch should fit securely into the keeper. Mark the screw hole locations for the keeper.
5. **Install the Keeper:** Pre-drill pilot holes for the keeper if necessary. Secure the keeper using the provided screws.
6. **Test Operation:** Open and close the window, then engage and disengage the lock lever several times to ensure smooth operation and a secure lock. Adjust the position of the keeper slightly if the lock feels too tight or too loose.

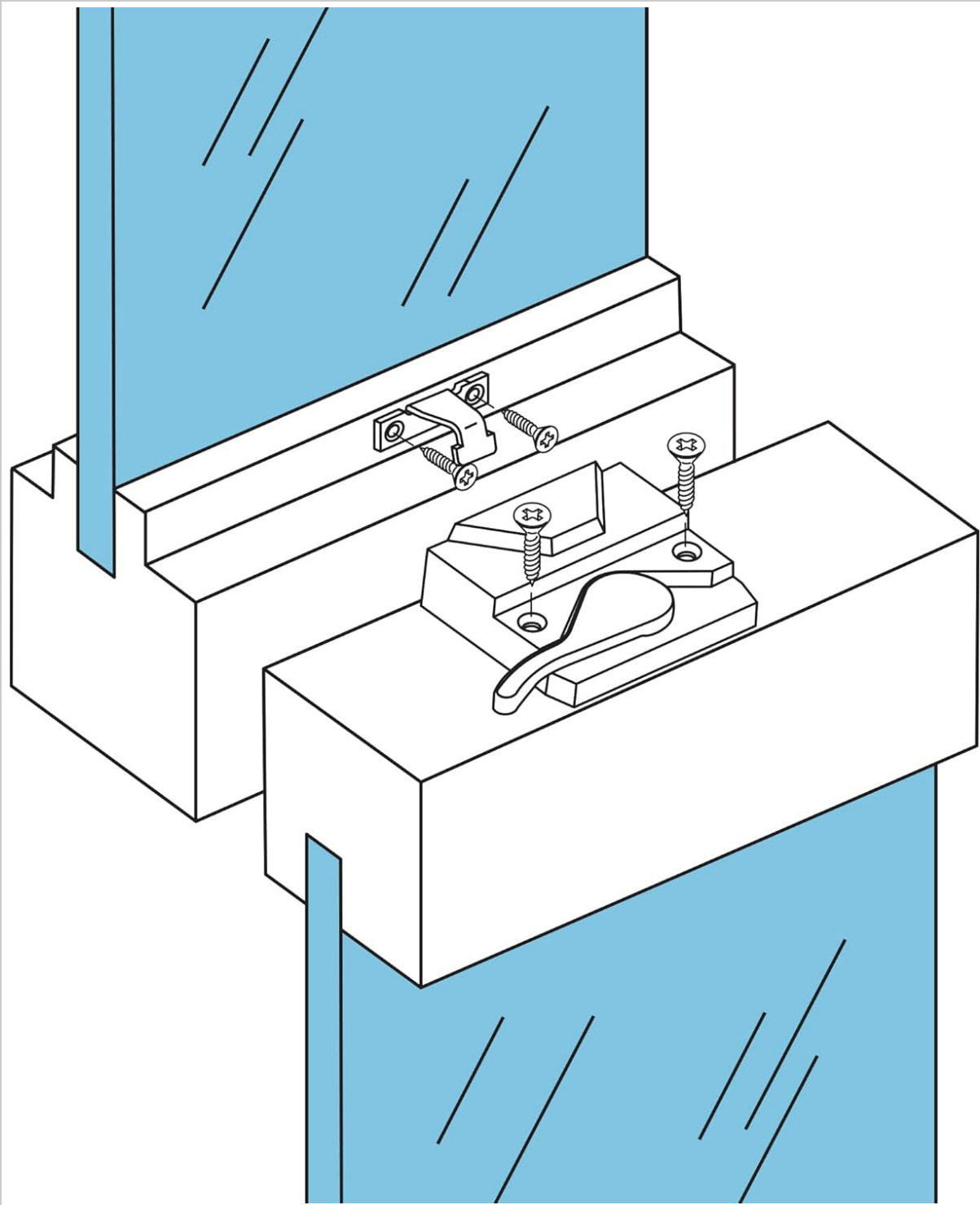


Figure 3: Diagram illustrating the typical installation of a casement window lock and keeper on a window frame.

4. OPERATION

To operate the Prime-Line H 3572 casement window lock:

- **To Lock:** Ensure the casement window is fully closed. Push the lever down or towards the window frame until the internal steel latch engages securely with the keeper. The lever should be flush or nearly flush with the lock body when fully locked.
- **To Unlock:** Pull the lever up or away from the window frame until the internal steel latch disengages from the keeper. The window can then be opened.

5. MAINTENANCE

Regular maintenance helps ensure the longevity and smooth operation of your casement window lock:

- **Cleaning:** Periodically wipe the lock and keeper with a soft, damp cloth to remove dust and grime. Avoid abrasive cleaners or solvents that could damage the finish.
- **Lubrication:** If the lever mechanism feels stiff, apply a small amount of silicone-based lubricant to the moving parts of the latch mechanism. Avoid oil-based lubricants, which can attract dirt.
- **Screw Tightness:** Occasionally check that all mounting screws are tight. Loose screws can affect the lock's security and operation. Do not overtighten.
- **Corrosion Check:** Inspect the lock and keeper for any signs of corrosion, especially in humid environments. The bronze painted finish and zinc plating are designed to resist corrosion, but extreme conditions may require more frequent inspection.

6. TROUBLESHOOTING

Problem	Possible Cause	Solution
Lock does not engage keeper	Misalignment of lock and keeper; window not fully closed; bent latch.	Ensure window is fully closed. Check alignment and adjust keeper position if necessary. Inspect latch for damage.
Lever is stiff or difficult to move	Lack of lubrication; dirt or debris in mechanism; overtightened screws.	Clean the mechanism. Apply silicone lubricant. Loosen mounting screws slightly if overtightened.
Lock feels loose after installation	Loose mounting screws; worn screw holes.	Tighten mounting screws. If screw holes are stripped, use larger screws or repair the holes with wood filler.
Keeper is corroded	Exposure to moisture or harsh chemicals.	Clean with a mild abrasive pad if surface corrosion. If severe, replacement may be necessary.

7. WARRANTY AND SUPPORT

Warranty Information:

Goods are warranted against manufacturing defects for 1 year from the date of purchase. Prime-Line is not responsible for user-related damage or damage incurred during installation. The warranty is void if products are subjected to abnormal conditions, misapplication, or abuse.

Customer Support:

For further assistance, technical support, or warranty claims, please contact Prime-Line customer service. Refer to the product packaging or the official Prime-Line website for current contact details.

Website: www.prime-line-products.com