



Manuals.plus /

› Sugatsune /

› Sugatsune Industries ZwEi L Stainless Steel (SUS316) Push Knob ZL-1908 User Manual

## Sugatsune ZL-1908

# Sugatsune Industries ZwEi L Stainless Steel (SUS316) Push Knob

MODEL: ZL-1908 USER MANUAL

## Introduction

---

This manual provides detailed instructions for the installation, operation, and maintenance of the Sugatsune ZwEi L Stainless Steel Push Knob, Model ZL-1908. The ZwEi L series represents supreme architectural hardware, featuring a mirror-shine and high-quality satin finish. This push knob is designed to offer a flat, smart appearance when closed, ensuring safety by eliminating protrusions from the door surface. Constructed from SUS316 stainless steel, it boasts excellent corrosion resistance and a superior Zweil L Finish.

## Safety Information

---

- Always wear appropriate personal protective equipment (PPE) such as gloves and eye protection during installation.
- Ensure the installation surface is clean, dry, and structurally sound before proceeding.
- Keep small parts and tools out of reach of children.
- Do not modify the product in any way, as this may compromise its functionality and safety.
- Refer to local building codes and regulations for proper installation practices.

## Package Contents

---

Verify that all components are present before beginning installation:

- 1 x Sugatsune ZwEi L Push Knob (ZL-1908)
- 1 x Cross Hole Truss Machine Screw M3 x 25 (Stainless Steel)

## Specifications

---

Feature	Detail
Model Number	ZL-1908
Material	Stainless Steel (SUS316) / ABS
Finish	Zwei L Finish (Polished and Satin)
Color	Black (black 19-3911tcx)
Compatible Door Thickness	13 - 33 mm (0.5 - 1.3 inches)
Product Dimensions	44.5 x 34.5 x 34.5 cm (17.5 x 13.6 x 13.6 inches)
Item Weight	148 g
Handle Type	Knob
Shape	L Shaped
Special Features	Easy to Install

For a visual reference of the product's size, please see the image below:

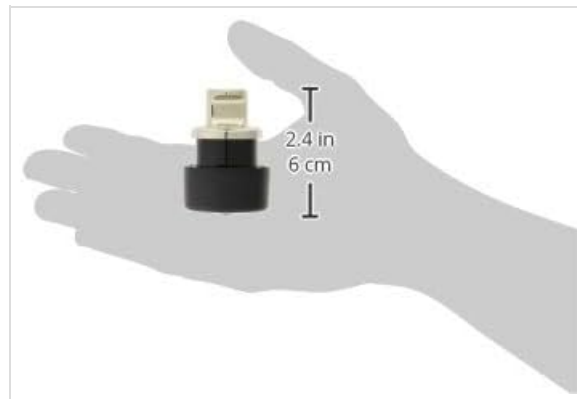


Figure 1: Product size reference, showing the knob's height of approximately 2.4 inches (6 cm) when held in a hand.

## Setup and Installation

The Sugatsune ZwEi L Push Knob is designed for easy installation. Follow these steps carefully:

- 1. Prepare the Door:** Ensure the door surface is clean and free of debris. Determine the exact location for the push knob installation.
- 2. Drill Through-Hole:** Based on your door thickness, drill the appropriate through-hole. Refer to the installation diagram below for precise measurements.
- 3. Insert the Knob:** Insert the main body of the push knob through the drilled hole from the front side of the door.
- 4. Secure with Screw:** From the back side of the door, use the provided M3 x 25 stainless steel cross hole truss machine screw to secure the knob firmly in place. Ensure it is tightened sufficiently but do not overtighten.

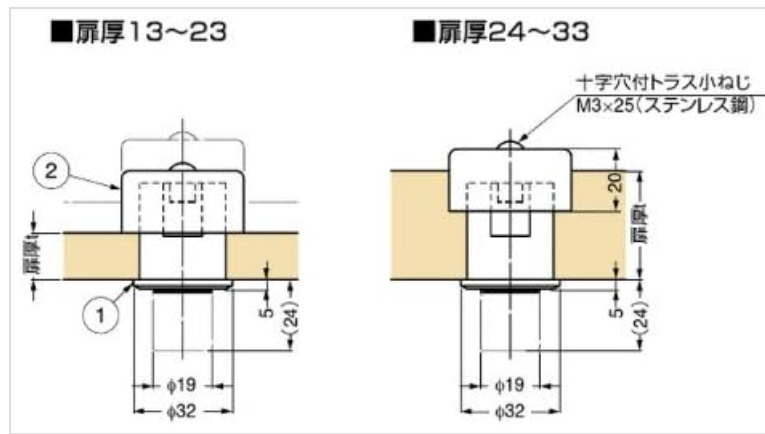


Figure 2: Installation diagram illustrating drilling requirements for door thicknesses 13-23mm and 24-33mm. Note the different 'H' dimensions for stove depth based on door thickness.

### Stove Depth 'H' Reference:

- For door thickness 13 - 23 mm: H = 28 mm (through holes)
- For door thickness 24 - 33 mm: H = Door Thickness - 23 mm (back of door)

### Operation

The Sugatsune ZwEi L Push Knob operates with a simple push mechanism. When the knob is pushed, it retracts to sit flush with the door surface, providing a sleek and unobtrusive appearance. To engage or disengage the knob, simply push it. Its design ensures a smooth and reliable action.



Figure 3: The Sugatsune ZwEi L Push Knob in its extended position, showcasing its high-quality finish.

## **Maintenance**

To ensure the longevity and appearance of your Sugatsune ZwEi L Push Knob, follow these simple

maintenance guidelines:

- **Cleaning:** Wipe the knob regularly with a soft, damp cloth. For stubborn marks, use a mild, non-abrasive cleaner specifically designed for stainless steel. Avoid harsh chemicals, abrasive pads, or solvents, as these can damage the finish.
- **Inspection:** Periodically check the screw for tightness. If the knob feels loose, gently retighten the screw.
- **Lubrication:** The internal mechanism is designed for smooth operation and typically does not require lubrication. If you notice any stiffness, consult a professional or contact Sugatsune support.

## Troubleshooting

---

Most issues with the ZWEi L Push Knob can be resolved with simple checks:

- **Knob feels loose:** Check the M3 x 25 screw on the back of the door and tighten it if necessary.
- **Knob does not retract/extend smoothly:** Ensure there is no debris obstructing the mechanism. Clean the knob thoroughly. If the issue persists, verify that the installation was done correctly according to the door thickness specifications.
- **Scratches or damage to finish:** The ZWEi L finish is durable, but surface damage can occur from abrasive materials. Refer to the maintenance section for proper cleaning. Significant damage may require professional attention or replacement.

## Warranty and Support

---

Specific warranty information for the Sugatsune ZWEi L Push Knob ZL-1908 is not provided in this manual. For details regarding warranty coverage, technical support, or replacement parts, please contact Sugatsune Industries directly through their official website or customer service channels. Always provide your model number (ZL-1908) when seeking support.