



[Manuals.plus](#) /

› [Progress Lighting](#) /

› Progress Lighting Drum Shade Collection Five-Light Chandelier P4217-09 Instruction Manual

Progress Lighting P4217-09

Progress Lighting Drum Shade Collection Five-Light Chandelier

MODEL: P4217-09

Introduction

This manual provides detailed instructions for the safe and proper installation, operation, and maintenance of your Progress Lighting Drum Shade Collection Five-Light Chandelier. This fixture features a crisp white drum shade and an understated brushed nickel finish, designed for various indoor settings such as dining rooms, foyers, and kitchens. It accommodates five candelabra base bulbs (60W max – LED, CFL, halogen, or incandescent, sold separately) and is fully dimmable with compatible bulbs.

Key Features:

- Elegant design with a white textured linen drum shade and brushed nickel finish.
- Dimmable functionality when used with dimmable bulbs.
- Suitable for sloped ceilings.
- Includes 42 inches of chain for adjustable hanging heights.
- Designed for indoor use in new traditional, rustic, and transitional settings.

Safety Information

WARNING: Always turn off electricity at the main circuit breaker panel before beginning installation or performing any maintenance.

If any special control devices are used with this fixture, follow the instructions carefully to ensure full compliance with National Electrical Code (N.E.C.) requirements. For any questions, contact a qualified electrical contractor.

WARNING: This product contains chemicals known to the State of California to cause cancer, birth defects, and/or other reproductive harm. Thoroughly wash hands after installing, handling,

cleaning, or otherwise touching this product.

Always handle the fixture with care. Avoid dropping or subjecting it to impact. Ensure all connections are secure before restoring power.

Package Contents

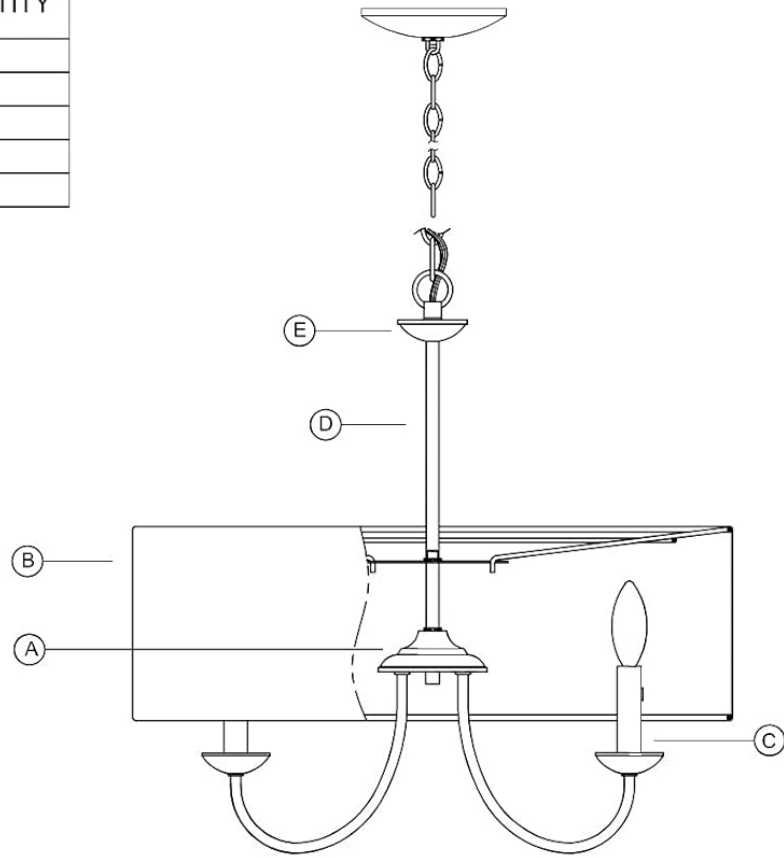
Verify that all components listed below are included in your package before beginning installation. If any parts are missing, please contact customer service.

Fixture Components

Part	Description	Quantity
A	Fixture	1
B	Shade	1
C	Candle Cover	5
D	Pipe	1
E	Body	1

PACKAGE CONTENTS

PART	DESCRIPTION	QUANTITY
A	Fixture	1
B	Shade	1
C	Candle Cover	5
D	Pipe	1
E	Body	1



HARDWARE CONTENTS (not actual size)

AA	BB	CC	DD	EE	FF	GG	HH	JJ
Hex nut (1/8IP) Qty:2	Wire connector Qty:3	1/8IP Mounting strap Qty:1	Screw collar Qty:1	Chain holder (1/8IP) Qty:1	Nipple (1/8IP) Qty:1	Chain (42") Qty:1	Canopy Qty:1	Chain loop (1/8IP) Qty:1



Missing parts? Please contact Customer Service at 1-800-447-0573, 8am-8pm (Eastern), Monday - Friday, or at customerservice@progresslighting.com

Image: Package Contents and Hardware List

Hardware Contents (not actual size):

- Hex nut (1/8IP): Qty: 2
- Wire connector: Qty: 3
- 1/8IP Mounting strap: Qty: 1
- Screw collar: Qty: 1
- Chain holder (1/8IP): Qty: 1
- Nipple (1/8IP): Qty: 1

- Chain (42"): Qty: 1
- Canopy: Qty: 1
- Chain loop (1/8IP): Qty: 1

Setup & Installation

Follow these steps for proper installation of your chandelier. It is recommended to have a qualified electrician perform the installation.

General Installation Guidelines:

1. **Preparation:** Turn off power at the circuit breaker. Clear the work area.
2. **Mounting:** Secure the mounting strap to the outlet box.
3. **Wiring:** Connect the fixture wires to the house wires according to local electrical codes. Typically, black to black, white to white, and ground to ground.
4. **Assembly:** Attach the chain and canopy, adjusting the chain length as needed for desired hanging height.
5. **Fixture Attachment:** Secure the fixture body to the chain and canopy.
6. **Shade and Bulbs:** Install the drum shade and insert the recommended candelabra base bulbs (max 60W each).

CAUTION: Read instructions carefully and turn electricity off at main circuit breaker panel before beginning installation.

4217

WARNING - If any Special Control Devices are used with this Fixture, Follow the Instructions Carefully to assure full compliance with N.E.C. requirements. If there are any questions, contact a Qualified Electrical Contractor.
WARNING - This product contains chemicals known to the State of California to cause cancer, birth defects and /or other reproductive harm. Thoroughly wash hands after installing, handling, cleaning, or otherwise touching this product.
CAUTION - All glass is fragile, use care when handling Glass component(s) and or Lamp(s).

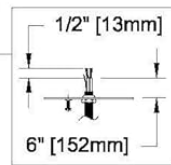
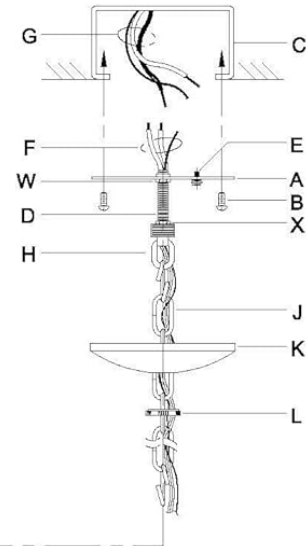
ASSEMBLY STEPS:

PASOS PARA ENSAMBLAR:

MODE D'ASSEMBLAGE:

1. D,E → A
2. B,A → C
3. W,X,H → D (TO LOCK)
(APRETAR)
4. X → H (À VERROUILLER)
5. F → N,M
6. N → P
7. J → M
8. L,K → J
9. J → H
10. F → J,L,K,H,D
11. F → G
12. K,L → H
13. Q → R
14. S,U → T

B, C, G & U
 (NOT FURNISHED)
 (NO INCLUIDA)
 (NON FOURNIE)



ADJUST HEIGHT WITH "D"
 W → A (TO LOCK)

AJUSTA LA ALTURA CON "D"
 W → A (APRETAR)

RÉGLEZ LA HAUTEUR AVEC "D"
 W → A (À VERROUILLER)

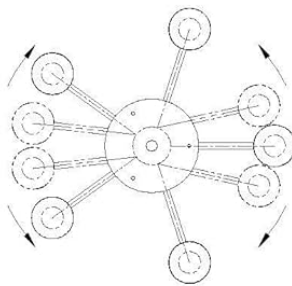
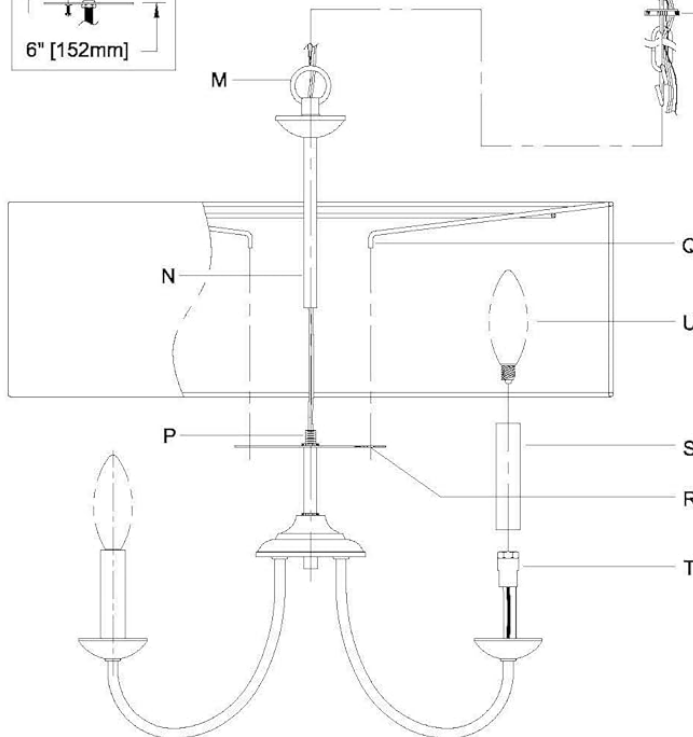
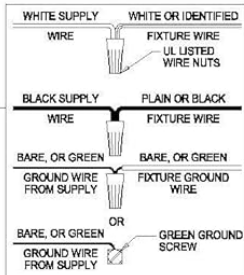


DIAGRAM - A

- Adjust Arms, if required, as shown in diagram A.
- Ajuste los brazos, como necesario, según el diagrama A.
- Ajustez les branches, comme nécessaire, selon le diagramme A.

Image: Assembly and Installation Diagram

Chandelier Hanging Height Guidelines:

Proper hanging height is crucial for both aesthetics and functionality. Consider the room type and ceiling height.

- **Dining Room Tables:** The bottom of the chandelier should typically be 30-36 inches above the tabletop for an 8-foot ceiling. For higher ceilings, add 3 inches for every additional foot of ceiling height. The width of the chandelier should generally be 12 inches less than the table width.
- **Foyers and Living Rooms:** Maintain at least 7 feet of clearance from the floor to the bottom of the fixture in areas where people walk underneath. For ceilings higher than 11 feet, position the

chandelier approximately two-thirds of the distance from the floor to the ceiling.

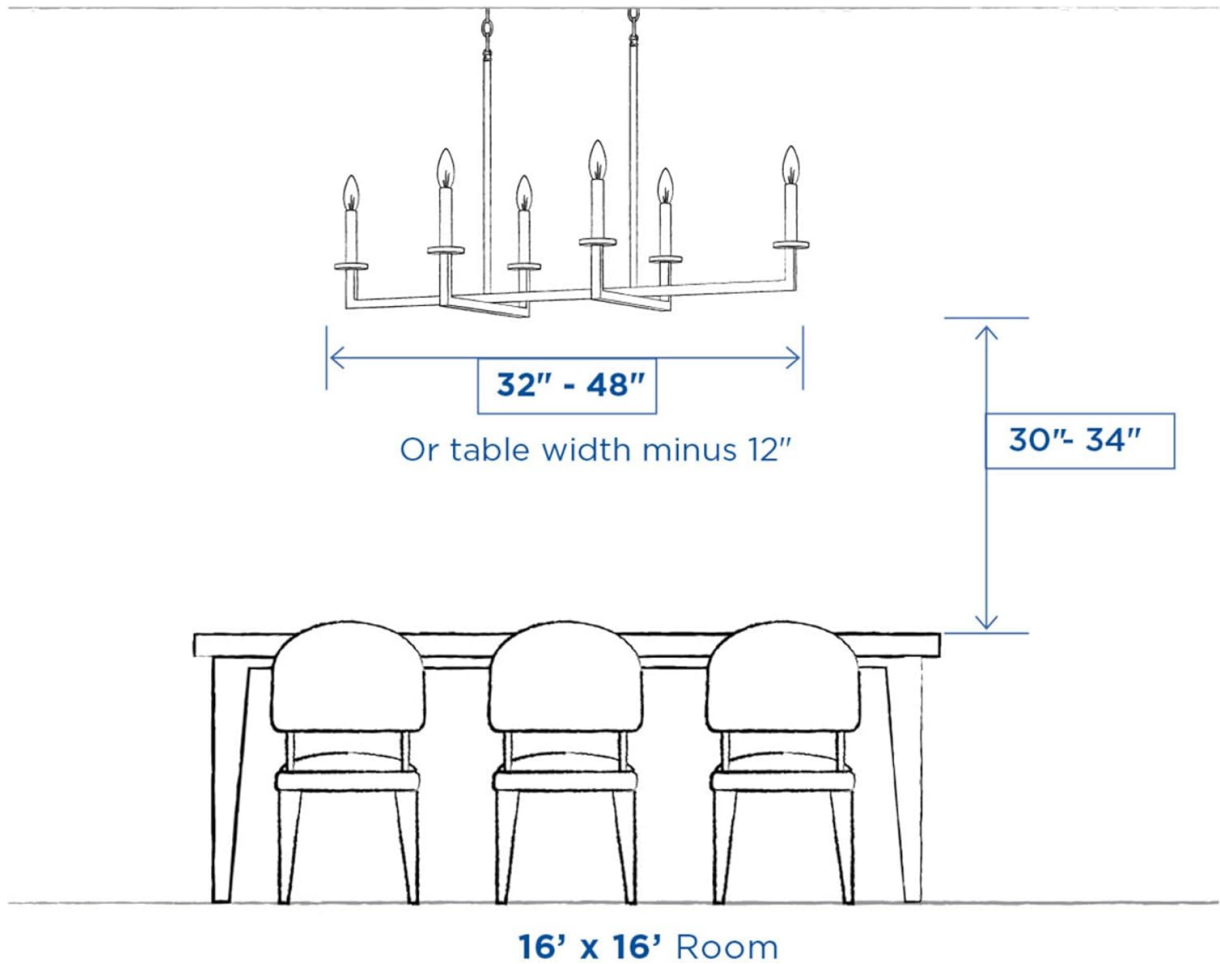


Image: Dining Room Chandelier Hanging Guidelines

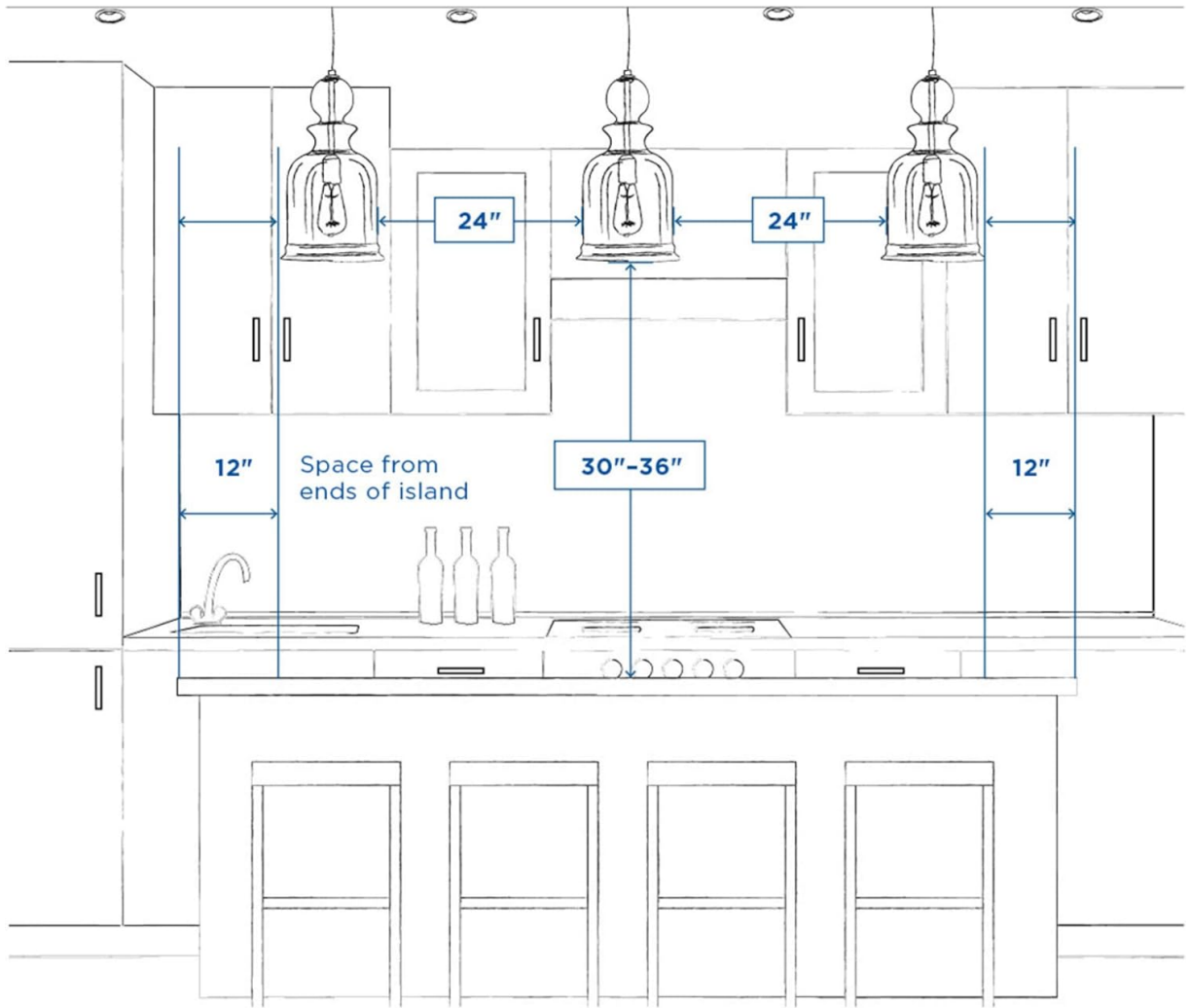


Image: Kitchen Island Pendant Hanging Guidelines

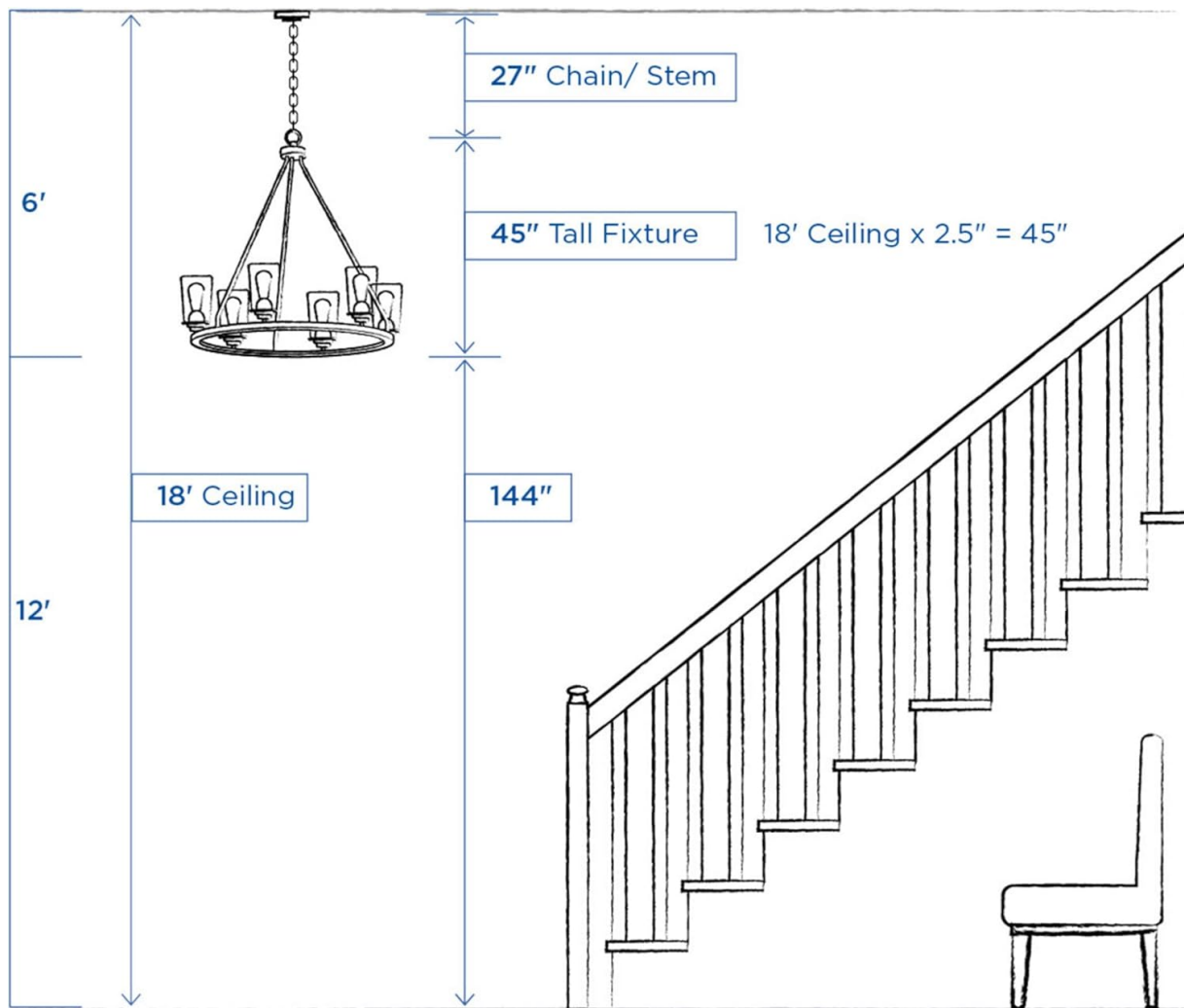


Image: Stairwell Chandelier Hanging Guidelines

Helpful Videos:

Video: Progress Lighting Chandelier Overview. This video provides a general overview of Progress Lighting chandeliers, which may offer additional context for installation.

Video: Brushed Nickel Collective Video. This video showcases the brushed nickel finish, providing a visual reference for the product's aesthetic.

Video: Beautiful chandelier for over dining table. This video demonstrates the chandelier installed over a dining table, offering a real-world perspective.

Operating Instructions

Once installed, your chandelier is ready for use.

- **Power On/Off:** Operate the chandelier using your standard wall switch.
- **Dimming:** If you have installed dimmable bulbs and a compatible dimmer switch, you can adjust the light intensity to create your desired ambiance.
- **Bulb Type:** This fixture uses five candelabra base bulbs (E12 base phenolic sockets), with a maximum wattage of 60W per bulb. LED, CFL, halogen, or incandescent bulbs can be used.

Maintenance

Regular maintenance will help preserve the appearance and functionality of your chandelier.

- **Cleaning:** To clean the fixture, ensure power is off. Wipe with a soft, dry cloth. Do not use abrasive cleaners or solvents, as these may damage the finish or shade material.
- **Bulb Replacement:** Always turn off power before replacing bulbs. Allow bulbs to cool completely before touching. Replace with bulbs of the same type and wattage (max 60W candelabra base).
- **Shade Care:** The white textured linen shade can be gently dusted or spot cleaned with a damp cloth if necessary. Avoid excessive moisture.

Troubleshooting

If your chandelier is not functioning correctly, refer to the following common issues and solutions:

Common Issues and Solutions

Problem	Possible Cause	Solution
Light does not turn on	No power to the fixture; Loose wiring; Faulty bulb	Check circuit breaker; Verify wire connections; Replace bulb(s)
Lights flicker	Loose bulb; Incompatible dimmer switch; Loose wiring	Tighten bulbs; Ensure dimmer is compatible with bulbs; Check wire connections
Dimming not working	Non-dimmable bulbs; Incompatible dimmer switch	Install dimmable bulbs; Replace dimmer switch with a compatible one

If the issue persists after attempting these solutions, please contact customer service or a qualified electrician.

Specifications

Detailed technical specifications for the Progress Lighting Drum Shade Collection Five-Light Chandelier.

Attribute	Detail
Brand	Progress Lighting
Model Number	P4217-09
Color	Brushed Nickel
Material	Alloy Steel, Linen
Style	Transitional
Light Fixture Form	Chandelier
Room Type	Bedroom, Dining Room, Entryway, Kitchen, Lobby
Indoor/Outdoor Usage	Indoor
Power Source	AC
Dimmable	Yes
Light Source	Incandescent (compatible with LED, CFL, Halogen)

Attribute	Detail
Number of Light Sources	5
Voltage	120 Volts
Wattage	60 watts (max per bulb)
Bulb Base	Candelabra (E12)
Mounting Type	Ceiling Mount (Semi Flush Mount)
Item Dimensions (L x W x H)	21.63"L x 21.63"W x 21.13"H
Item Weight	8 Pounds
UPC	785247178971

Warranty & Support

Your Progress Lighting Drum Shade Collection Five-Light Chandelier is covered by a **1-Year Limited Manufacturer's Warranty**. This warranty covers defects in materials and workmanship under normal use.

For missing parts, technical assistance, or warranty claims, please contact Progress Lighting Customer Service:

- **Phone:** 1-800-447-0573
- **Hours:** Monday - Friday, 8:00 AM - 8:00 PM (Eastern Time)
- **Email:** customerservice@progresslighting.com