

[Manuals.plus](#) /

> [Konstsmide](#) /

> Konstsmide Modena 7515-750 Single Wall Light Instruction Manual

## Konstsmide 7515-750

# Konstsmide Modena 7515-750 Single Wall Light Instruction Manual

Model: 7515-750

## 1. PRODUCT OVERVIEW

The Konstsmide Modena 7515-750 is a single wall light designed for outdoor use. This fixture features a matt black finish and is suitable for illuminating exterior areas. It requires one GU10 bulb, which is not supplied with the unit.

- **Finish/Colour:** Matt black
- **Max Wattage:** 1 x 35W (GU10)
- **Voltage:** 230 Volts
- **Indoor/Outdoor Usage:** Outdoor
- **Light Bulb(s):** Not supplied





*Image 1: Close-up view of the Konstsmide Modena Single Wall Light, showcasing its matt black cylindrical body and clear bands that allow light to emit.*

## 2. SAFETY INFORMATION

---

Please read these instructions carefully before installation and retain them for future reference. Installation should only be carried out by a qualified electrician in accordance with local wiring regulations. Always switch off the main power supply before commencing any electrical work.

- Ensure the power supply is disconnected before installation or maintenance.
- Do not exceed the maximum wattage of 35W for the GU10 bulb.
- This product is designed for outdoor use; ensure all connections are waterproofed appropriately.
- Handle the light fixture with care to avoid damage.

## 3. SETUP AND INSTALLATION

---

The Konstsmide Modena wall light requires assembly and wall mounting. Follow these steps for safe and correct installation:

1. **Prepare the Installation Area:** Choose a suitable outdoor location for mounting. Ensure the surface is stable and can support the fixture. Mark the drilling points for the mounting bracket.
2. **Disconnect Power:** Turn off the electricity supply at the main circuit breaker before starting any electrical work.
3. **Mount the Bracket:** Secure the mounting bracket to the wall using appropriate screws and wall plugs (not supplied). Ensure the bracket is level and firmly attached.
4. **Wire the Fixture:** Connect the electrical wires from the main supply to the terminal block inside the fixture. Ensure correct polarity (Live, Neutral, Earth) and secure all connections. Use appropriate outdoor-rated connectors and ensure waterproofing.
5. **Attach the Fixture Body:** Carefully attach the main body of the light fixture to the mounted bracket. Secure it using the provided screws or fasteners.
6. **Install the Bulb:** Insert a GU10 bulb (max 35W) into the lamp holder. Twist to secure it in place.
7. **Restore Power:** Once installation is complete and all connections are secure, restore power at the main circuit breaker.
8. **Test the Light:** Switch on the light to ensure it functions correctly.





Image 2: Two Konstsmide Modena wall lights installed on the exterior wall of a modern house, demonstrating their aesthetic and functional illumination.

## 4. OPERATING INSTRUCTIONS

---

The Konstsmide Modena wall light operates via your standard household electrical switch. Once installed and powered, simply use the wall switch connected to the fixture to turn the light on or off.

- Ensure the correct GU10 bulb is installed.
- Operate using a standard wall switch.

## 5. MAINTENANCE

---

Regular maintenance will help ensure the longevity and optimal performance of your Konstsmide Modena wall light.

- **Cleaning:** Disconnect power before cleaning. Wipe the fixture with a soft, damp cloth. Do not use abrasive cleaners or solvents, as these can damage the finish.
- **Bulb Replacement:**
  - a. Switch off the power supply to the fixture.
  - b. Allow the old bulb to cool completely if it has been recently used.
  - c. Carefully remove the old GU10 bulb by pushing it in and twisting counter-clockwise.
  - d. Insert a new GU10 bulb (max 35W) by pushing it in and twisting clockwise until secure.
  - e. Restore power and test the new bulb.
- **Inspection:** Periodically check the fixture for any signs of wear, damage, or loose connections. If any issues are found, disconnect power and consult a qualified electrician.

## 6. TROUBLESHOOTING

---

If your Konstsmide Modena wall light is not functioning as expected, refer to the following common issues and solutions:

| Problem | Possible Cause | Solution |
|---------|----------------|----------|
|---------|----------------|----------|

| Problem                 | Possible Cause   | Solution   |
|-------------------------|--|--|
| Light does not turn on. | No power supply.<br>Faulty bulb.<br>Loose wiring connection. | Check circuit breaker and wall switch.<br>Replace the GU10 bulb.<br>Disconnect power and check all wiring connections. Consult an electrician if unsure. |
| Light flickers.         | Loose bulb.<br>Incorrect bulb type/wattage.<br>Loose wiring. | Ensure bulb is securely seated.<br>Verify bulb is GU10 and max 35W.<br>Disconnect power and check wiring connections.                                    |

## 7. SPECIFICATIONS

Detailed technical specifications for the Konstsmide Modena 7515-750 Single Wall Light:

- **Brand:** Konstsmide
- **Model Number:** 7515-750
- **Style:** Modern
- **Light Fixture Form:** Wall
- **Indoor/Outdoor Usage:** Outdoor
- **Power Source:** Corded Electric
- **Number of Light Sources:** 1
- **Voltage:** 230 Volts
- **Wattage:** 35 watts (Max)
- **Mounting Type:** Wall Mount
- **Fixture Type:** Non Removable
- **Required Assembly:** Yes
- **Unit Count:** 1 Count
- **Height:** 15.5 cm (155 mm)
- **Width:** 14.5 cm (145 mm)

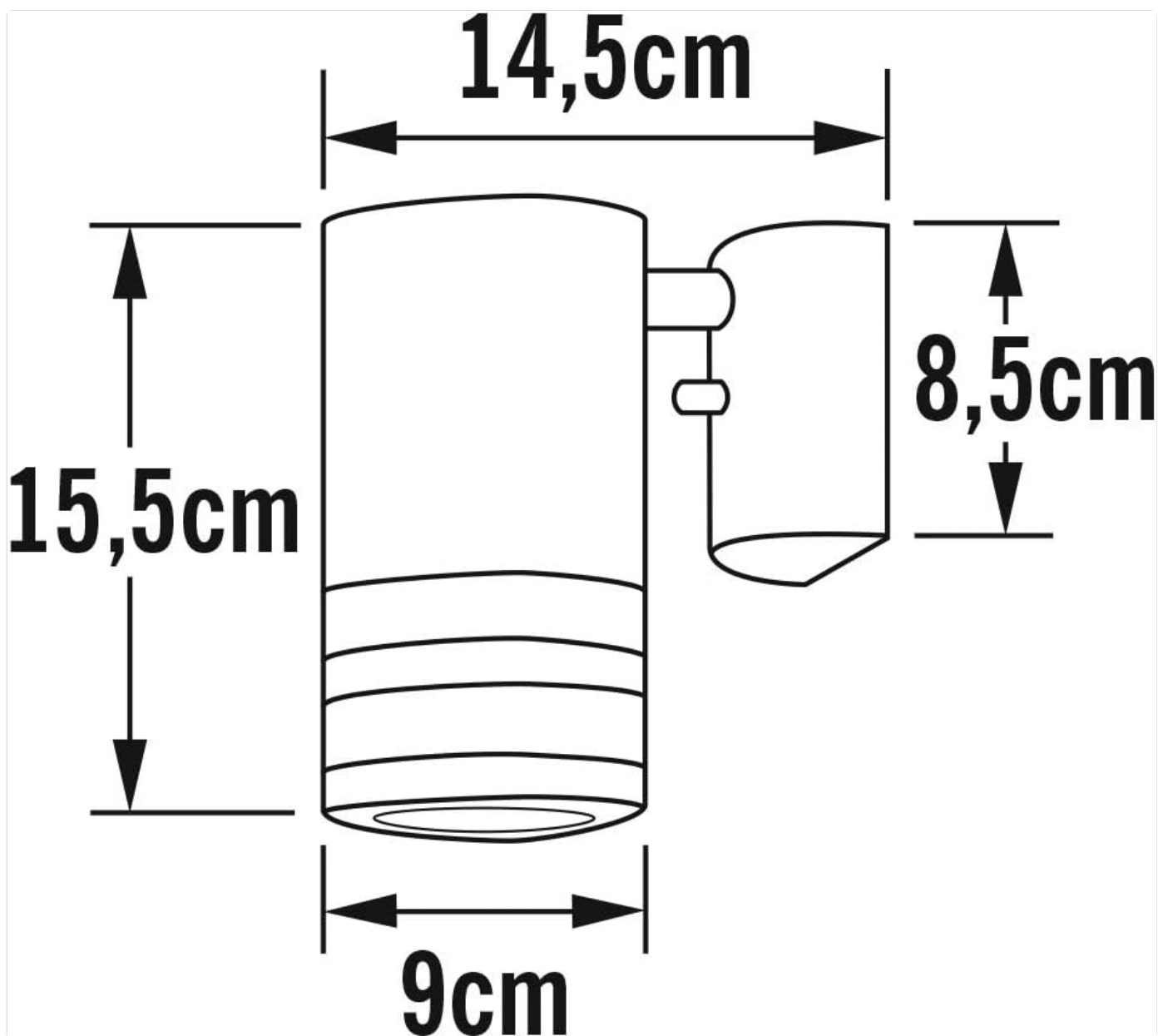


Image 3: Technical drawing illustrating the precise dimensions of the Konstsmide Modena wall light, including height, width, and depth measurements.

## 8. WARRANTY AND SUPPORT

For warranty information or technical support regarding your Konstsmide Modena 7515-750 Single Wall Light, please refer to the documentation provided at the point of purchase or contact Konstsmide customer service directly. Keep your purchase receipt as proof of purchase.

**Manufacturer:** Konstsmide

**Brand:** Konstsmide