

## Simpson Strong-Tie LSCSS

# Simpson Strong-Tie LSCSS Adjustable Stringer Connector Instruction Manual

## 1. INTRODUCTION

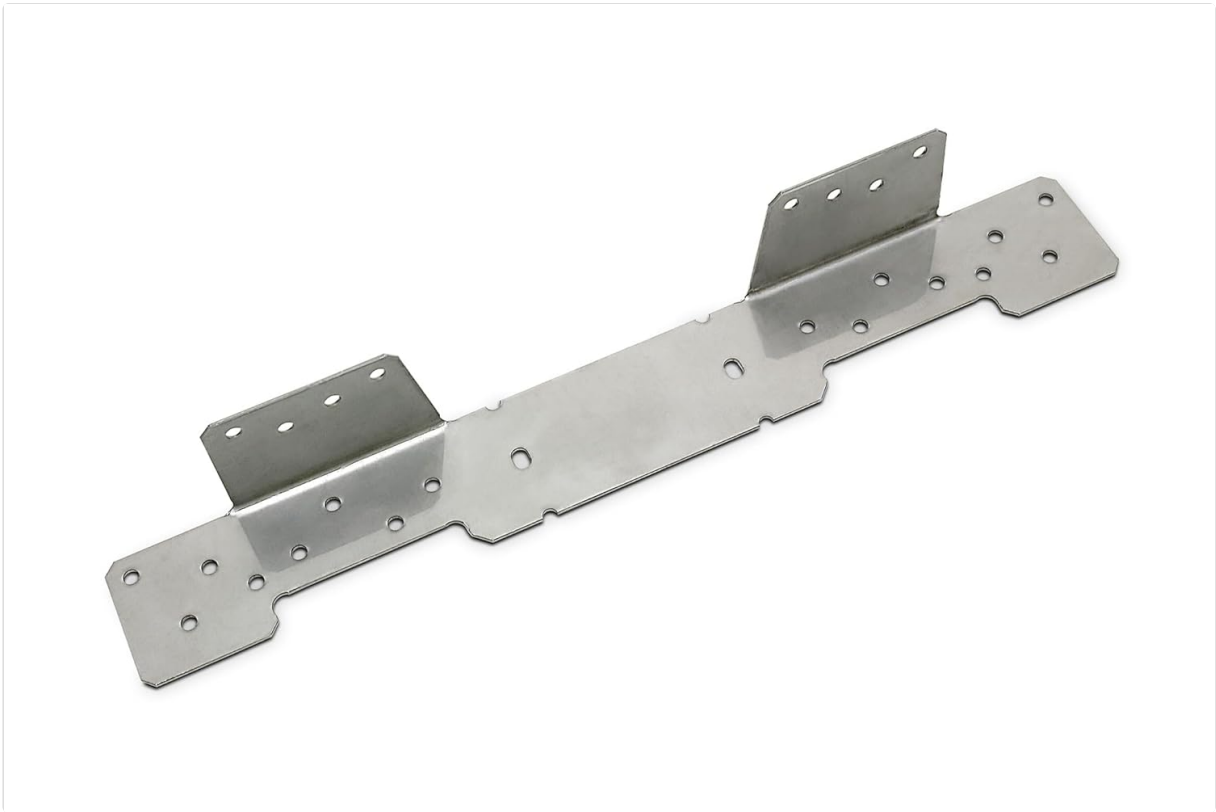
This manual provides instructions for the proper installation and use of the Simpson Strong-Tie LSCSS 18-Gauge Stainless-Steel Adjustable Stringer Connector. This connector is designed to facilitate the attachment of stair stringers to a header or rim board, offering adjustability for various angles. It is intended for use by qualified professionals or individuals with appropriate construction knowledge.

## 2. SAFETY INFORMATION

- Always wear appropriate personal protective equipment (PPE) including safety glasses and gloves during installation.
- Ensure all fasteners are installed correctly and to the specified dimensions to maintain structural integrity.
- Consult local building codes and a qualified engineer for specific application requirements before installation.
- Do not modify the connector. Use as intended by the manufacturer.

## 3. PRODUCT OVERVIEW AND COMPONENTS

The Simpson Strong-Tie LSCSS connector is an 18-gauge stainless-steel bracket designed for adjustable stair stringer connections. It replaces traditional framing methods, offering a strong and versatile solution.



**Figure 1:** The Simpson Strong-Tie LSCSS Adjustable Stringer Connector. This image shows the overall shape and pre-drilled fastener holes of the stainless-steel connector.

### Components:

- 1x LSCSS Adjustable Stringer Connector (18-gauge stainless steel)
- Fasteners (sold separately; refer to installation instructions for type and quantity)

## 4. SETUP AND INSTALLATION

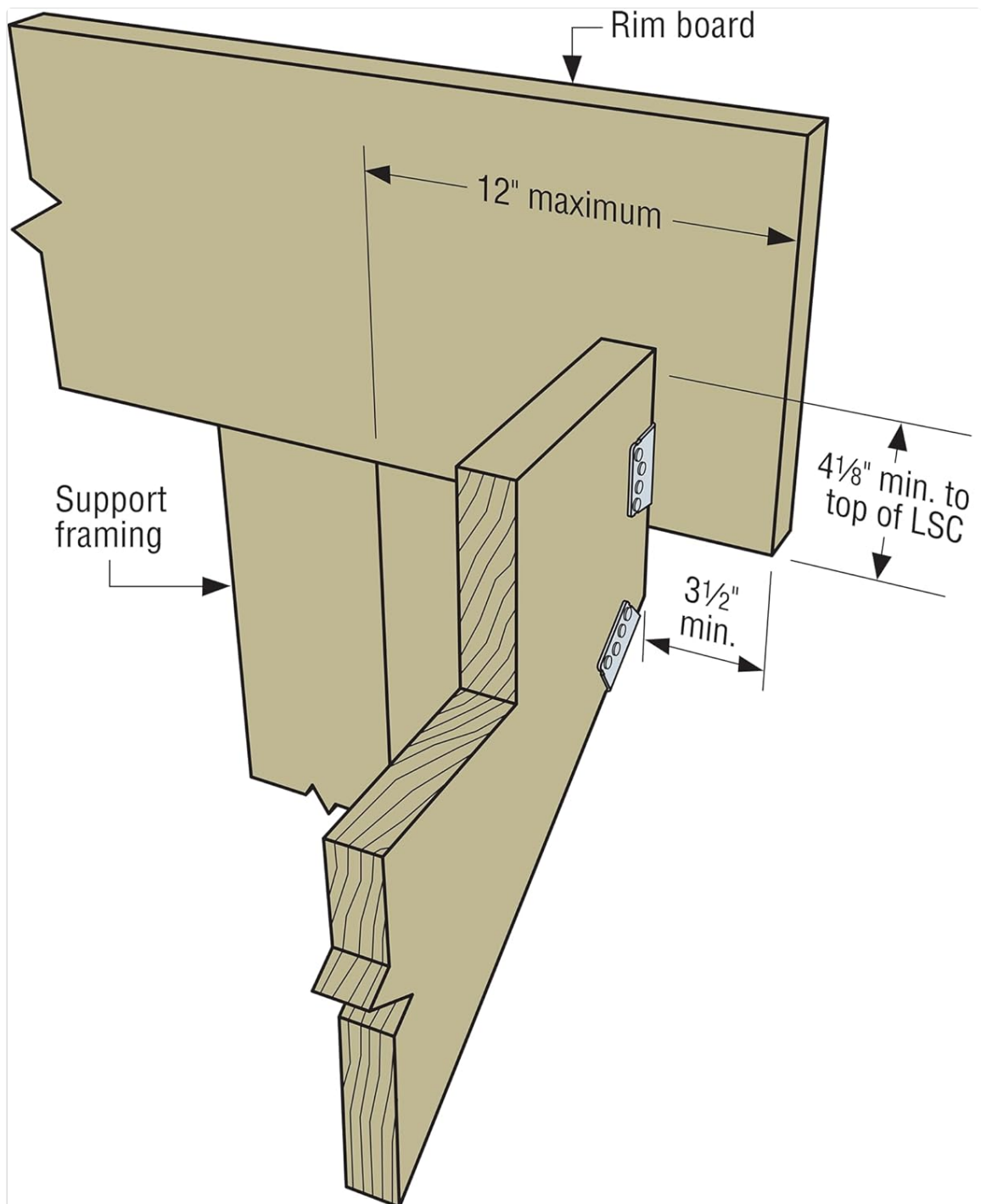
---

### Required Tools:

- Hammer or power drill/driver
- Appropriate fasteners (e.g., 10d nails or specified screws)
- Measuring tape
- Pencil
- Level

### Installation Steps:

1. **Position the Connector:** Position the LSCSS connector against the header or rim board. The connector can be installed flush with the top of the carrying member or lower on the face. It is interchangeable for left or right applications. Ensure proper alignment for the stair stringer.



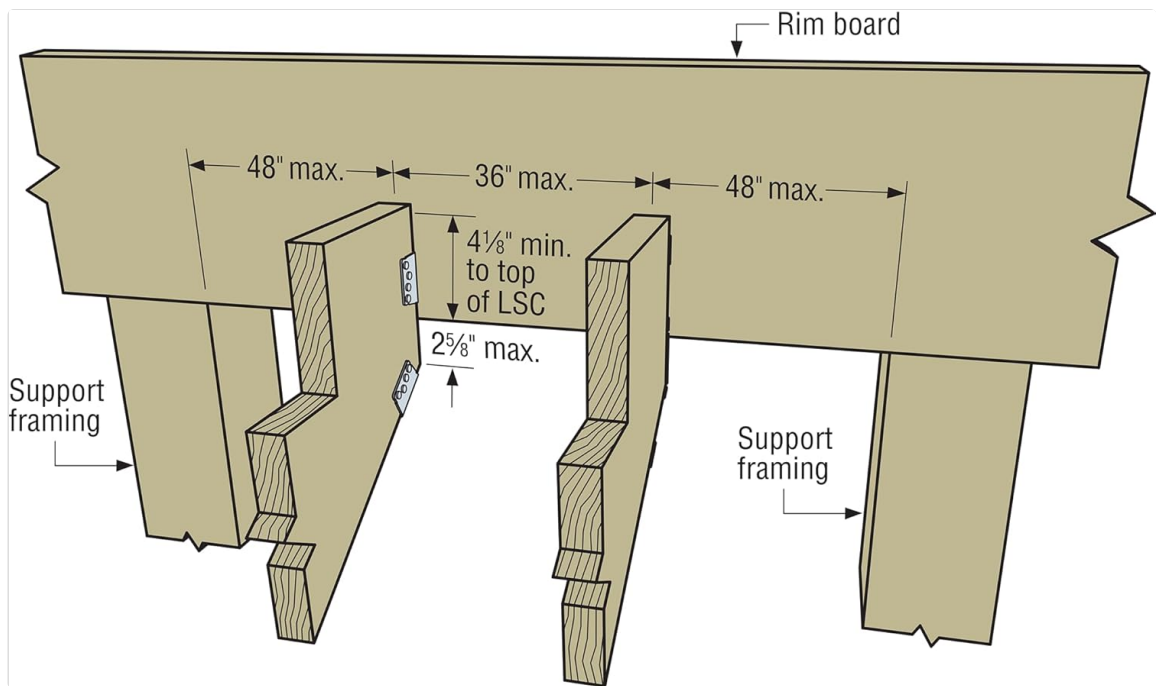
**Figure 2:** Diagram illustrating the LSCSS connector attached to a rim board with a support framing member. It shows the minimum 4 1/8" distance to the top of the LSC and minimum 3 1/2" distance from the support framing to the connector, with a maximum 12" distance from the rim board edge.

- 2. Adjust the Angle:** Adjust the connector to the desired stair stringer angle. The LSCSS is designed for adjustable angles to accommodate various stair designs.



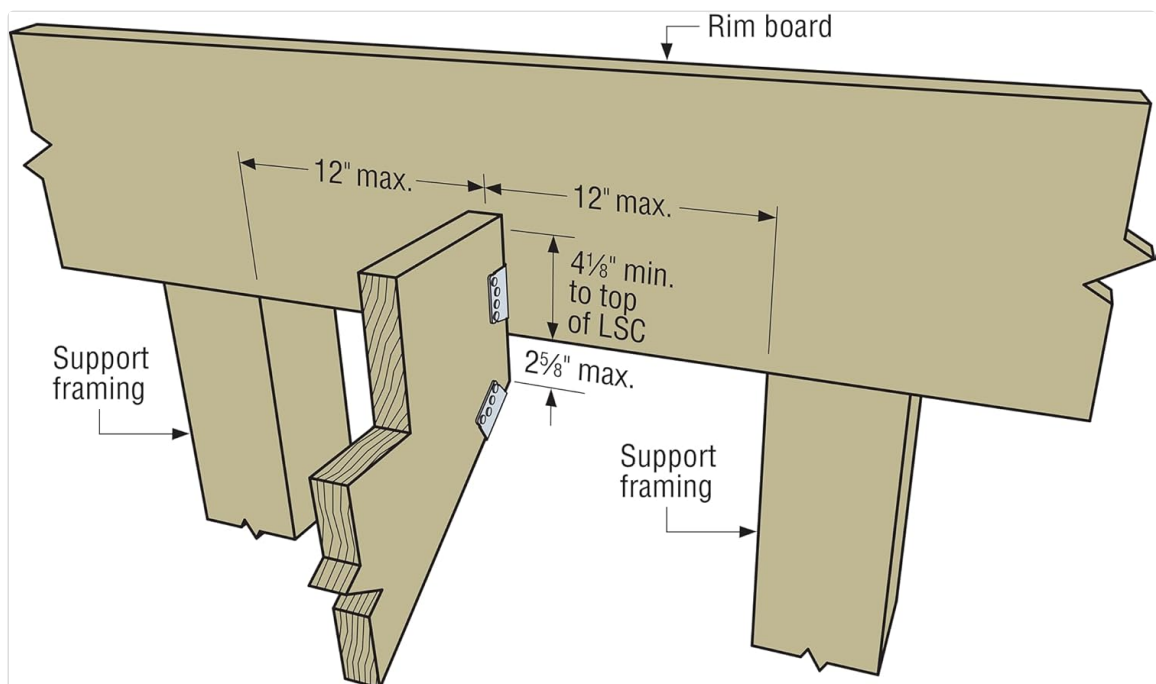
**Figure 3:** An angled view of the LSCSS connector, demonstrating its adjustable design for various stringer angles.

- 3. Secure to Header/Rim Board:** Secure the connector to the header/rim board using the specified fasteners. Ensure all pre-drilled holes are filled with appropriate fasteners for a strong connection.



**Figure 4:** Diagram showing multiple LSCSS connectors installed on a rim board with support framing. It indicates maximum spacing of 48" between stringers, 36" maximum between support framing, and a maximum 2 5/8" offset from the top of the LSC to the top of the rim board.

- Attach Stringer:** Attach the stair stringer to the connector, ensuring a snug fit. Secure the stringer to the connector using the specified fasteners through the remaining holes.



**Figure 5:** Diagram illustrating a single LSCSS connector installed on a rim board with a stringer attached. It shows a maximum 12" distance from the rim board edge to the stringer and a maximum 2 5/8" offset from the top of the LSC to the top of the rim board.

- Final Verification:** Verify that the stringer is level and securely fastened before proceeding with further construction.

## 5. USAGE GUIDELINES

- The LSCSS connector is suitable for most installations on nominal 2x10 or 2x12 header/rim boards.

- It replaces additional framing and toe-nailing, simplifying the installation process and providing a strong connection.
- Always use the correct type and quantity of fasteners as specified by Simpson Strong-Tie for optimal performance and safety. Refer to the product's technical documentation for fastener schedules.

## 6. MAINTENANCE

---

- The LSCSS connector is made from 18-gauge stainless steel, offering excellent corrosion resistance.
- Periodically inspect connections for any signs of loosening or damage. Tighten or replace fasteners as necessary.
- Clean the connectors as needed to remove dirt or debris, which can accumulate and potentially affect performance over time.

## 7. TROUBLESHOOTING

---

### Loose Connection:

If the connection feels loose, verify that all fasteners are properly installed and tightened. Ensure the correct number and type of fasteners were used according to the manufacturer's specifications.

### Incorrect Angle:

If the stringer angle is incorrect, temporarily remove the stringer, readjust the LSCSS connector to the desired angle, and re-fasten securely.

### Corrosion:

While stainless steel is highly corrosion-resistant, prolonged exposure to harsh chemicals or environments can cause surface discoloration. Clean with appropriate stainless steel cleaners if necessary. Avoid abrasive materials that could scratch the surface.

## 8. SPECIFICATIONS

---

Feature	Detail
Model Number	LSCSS
Material	18-Gauge Stainless Steel
Product Dimensions (L x W x H)	1.55 x 1.55 x 11.06 inches
Item Weight	2.7 Pounds (for pack of 10)
Shape	Rectangular
Item Form	Flat Rod
Manufacturer	Simpson Strong-Tie

## 9. WARRANTY INFORMATION

---

For detailed warranty information regarding the Simpson Strong-Tie LSCSS Adjustable Stringer Connector, please refer to the official Simpson Strong-Tie warranty document. This document outlines the terms, conditions, and duration of the product warranty.

You can access the warranty document here: [Simpson Strong-Tie Warranty \(PDF\)](#)

## **10. SUPPORT**

---

For further assistance, technical inquiries, or to report any issues with your Simpson Strong-Tie LSCSS Adjustable Stringer Connector, please visit the official Simpson Strong-Tie website or contact their customer support directly. Contact information can typically be found on their official website.