

DHP 5513298

DHP Junior Twin Metal Loft Bed with Slide Instruction Manual

Model: 5513298

1. INTRODUCTION

Thank you for choosing the DHP Junior Twin Metal Loft Bed with Slide. This manual provides essential information for the safe assembly, operation, and maintenance of your new loft bed. Please read all instructions carefully before beginning assembly and retain this manual for future reference.

This loft bed features a sturdy metal frame, integrated guardrails for safety, and a fun slide. It is designed to accommodate a standard twin-size mattress without the need for a box spring, offering a versatile space solution for children's rooms.



Image 1.1: DHP Junior Twin Metal Loft Bed with Red Slide, showcasing the overall design.

2. SAFETY INFORMATION

WARNING: Failure to follow these warnings and instructions could result in serious injury or death.

- This loft bed is intended for use by children aged 6 years and older.
- The maximum weight capacity for the upper bunk is 200 lbs (90.7 kg). Do not exceed this limit.
- Always use the recommended mattress size: Twin (39" x 75"). The mattress thickness should not exceed 6 inches to ensure the effectiveness of the guardrails.
- Ensure the mattress foundation is securely in place before use.
- Periodically check and ensure that all connections are tight and secure. Do not use the bed if any structural part is compromised.
- Do not allow children to play on or under the bed without supervision.
- Prohibit more than one person on the upper bunk.
- Prohibit jumping on the bed.
- Always use the ladder for entering and exiting the upper bunk.
- The slide should be used in a seated position, feet first. Ensure the area around the slide exit is clear.
- Keep all assembly hardware out of reach of small children.



Child Friendly

FULL-LENGTH GUARDRAILS



Image 2.1: Illustration highlighting the full-length guardrails for user safety.

3. PACKAGE CONTENTS

Before assembly, verify that all components listed below are present and undamaged. If any parts are missing or damaged, do not proceed with assembly. Contact customer support for assistance.

- Metal Bed Frame Components (Headboard, Footboard, Side Rails, Ladder, Support Legs)
- Metal Slats for Mattress Support
- Red Slide Assembly
- Hardware Pack (Bolts, Screws, Washers, Allen Wrench)
- Instruction Manual

4. SETUP AND ASSEMBLY

Assembly of this product is required. It is recommended that two adults perform the assembly to ensure safety and efficiency. An electric drill/driver with appropriate bits (not included) may expedite the process, but ensure not to overtighten fasteners.

1. **Prepare the Area:** Clear a spacious area for assembly. Lay out all components and hardware.
2. **Assemble the Main Frame:** Connect the headboard, footboard, and side rails according to the diagrams provided in the separate assembly guide. Ensure all bolts are finger-tightened initially.
3. **Attach Support Legs and Ladder:** Securely attach the support legs and the integrated ladder to the main frame.
4. **Install Slats:** Place the metal slats across the bed frame and secure them as instructed. These slats provide the necessary support for the mattress.
5. **Attach the Slide:** Securely attach the red slide to the designated side of the loft bed. Note that the slide's position is fixed and cannot be changed to the opposite side.
6. **Final Tightening:** Once all components are in place, systematically tighten all bolts and screws using the provided Allen wrench or your own tools. Do not overtighten.
7. **Final Inspection:** Before use, perform a thorough inspection to ensure all parts are correctly assembled and all fasteners are tight.

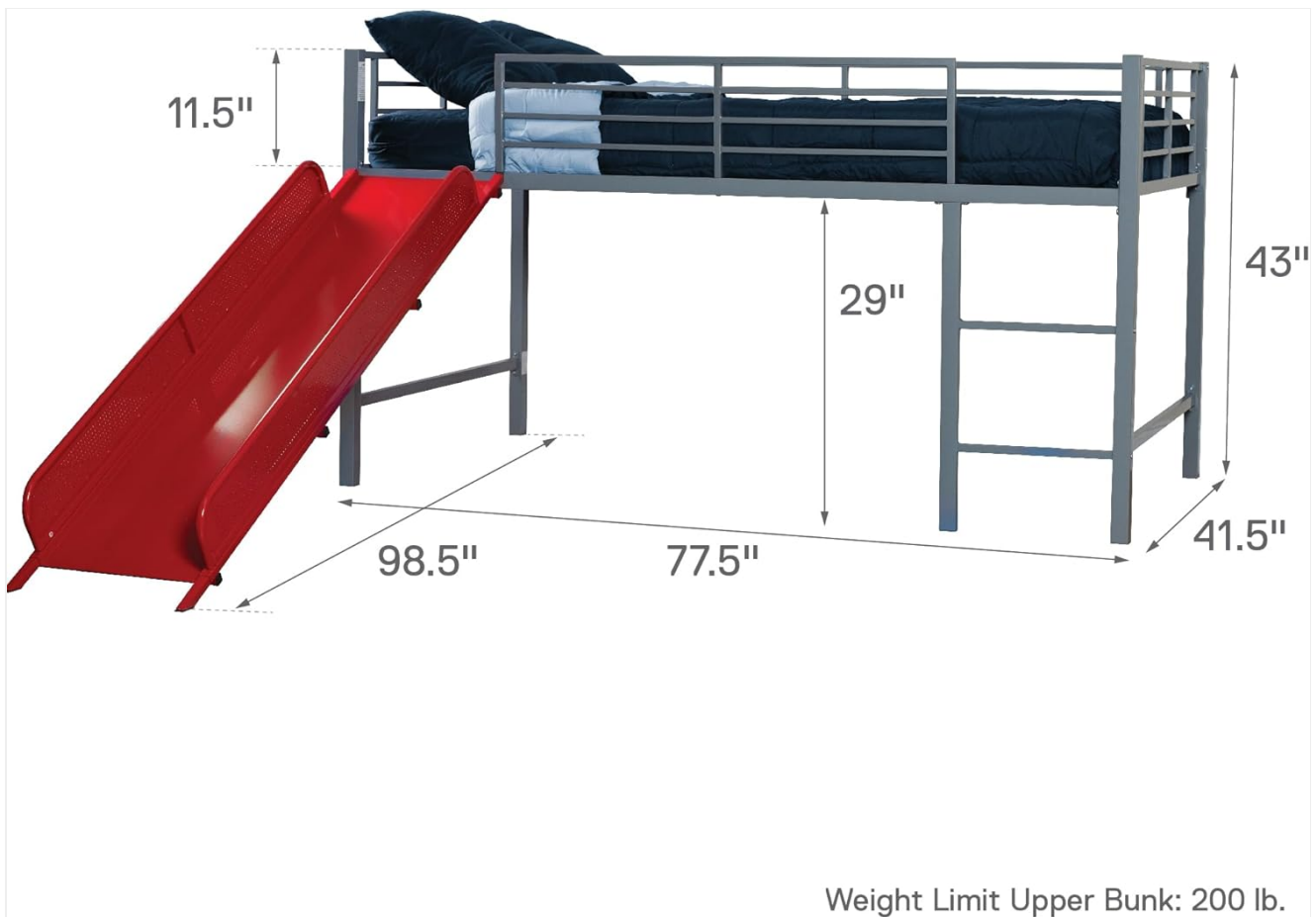


Image 4.1: Dimensional diagram of the DHP Junior Twin Metal Loft Bed, illustrating key measurements for placement and assembly.



Image 4.2: Detail view of the secured metal slats, providing robust mattress support without a box spring.

5. OPERATING INSTRUCTIONS

This loft bed is designed for sleeping and recreational use of the slide. Adhere to all safety guidelines during operation.

- **Sleeping Area:** Place a standard twin-size mattress (not included) directly onto the metal slats. Ensure the mattress fits snugly within the frame and does not exceed the recommended thickness to maintain guardrail effectiveness.
- **Ladder Use:** Always use the integrated ladder to access and exit the upper bunk. Ensure a firm grip and stable footing.
- **Slide Use:** The slide is intended for recreational use. Users should descend in a seated position, feet first. Ensure the landing area is clear of obstructions.
- **Under-Bed Space:** The area beneath the loft bed can be utilized for storage or as a play space. Ensure any items stored or activities conducted in this area do not interfere with the bed's stability or pose a hazard.



Image 5.1: The loft bed integrated into a child's room, demonstrating its functional use and space-saving design.

6. MAINTENANCE

Regular maintenance will help prolong the life and ensure the safety of your DHP Junior Twin Metal Loft Bed.

- **Cleaning:** Wipe down the metal frame with a soft, damp cloth. Avoid abrasive cleaners or harsh chemicals that could damage the finish.
- **Fastener Check:** Periodically (e.g., monthly) inspect all bolts, screws, and connections to ensure they remain tight. Retighten any loose fasteners to maintain structural integrity.
- **Structural Inspection:** Check the bed frame, ladder, and slide for any signs of wear, damage, or bending. Discontinue use immediately if any structural damage is found and contact customer support for replacement parts or guidance.

7. TROUBLESHOOTING

This section addresses common issues you might encounter with your loft bed.

- **Issue: The bed feels unstable or wobbly.**
Solution: Ensure all assembly bolts and screws are fully tightened. Over time, fasteners can loosen with use. Re-check and tighten all connections. Verify that the bed is placed on a flat, level surface.
- **Issue: The slide makes noise during use.**
Solution: The slide is made of metal, and some noise may occur during use. Ensure all bolts connecting the slide to the bed frame are securely tightened. Check for any loose connections or points of friction.
- **Issue: Mattress does not fit properly.**
Solution: Confirm you are using a standard twin-size mattress (39" x 75"). Ensure the mattress thickness does not exceed 6 inches to maintain adequate guardrail height.

8. SPECIFICATIONS

Feature	Specification
Brand	DHP
Model Number	5513298
Product Dimensions (L x W x H)	98.5" x 77.5" x 43"
Item Weight	71.5 pounds
Material	Metal
Color	Silver Red
Compatible Mattress Size	Twin
Weight Limit (Upper Bunk)	200 lb
Assembly Required	Yes
UPC	029986551351

9. WARRANTY AND SUPPORT

DHP is committed to providing quality products. Your DHP Junior Twin Metal Loft Bed is backed by a worry-free manufacturer warranty. For specific warranty details, please refer to the documentation included with your purchase or visit the official DHP website.

Should you require assistance with assembly, missing parts, or have any questions regarding your product, our customer support team is available 7 days a week.

- **Customer Support:** For inquiries, please visit the DHP brand store or contact our support team.
- **Online Replacement Parts:** Replacement parts can be ordered online through the official DHP channels.

For more information and to access support resources, please visit the [DHP Brand Store](#).

