



[Manuals.plus](#) /

› [SCHLAGE](#) /

› Schlage 16-080 F/FA Series Dual Option Springlatch Instruction Manual

SCHLAGE 16080613

Schlage 16-080 F/FA Series Dual Option Springlatch Instruction Manual

Model: 16080613

INTRODUCTION

This manual provides detailed instructions for the installation, operation, and maintenance of your Schlage 16-080 F/FA Series Dual Option Springlatch. This high-quality replacement part is designed for durability and performance, offering versatility with its dual backset option to fit various door preparations. Please read these instructions carefully before proceeding with installation or use.

SETUP AND INSTALLATION

The Schlage 16-080 springlatch is compatible with Schlage F10, FA10, F40, and FA40 series locksets. Its dual option design allows for installation with either a 2-3/8 inch or 2-3/4 inch backset, accommodating common door preparations.

Components Overview

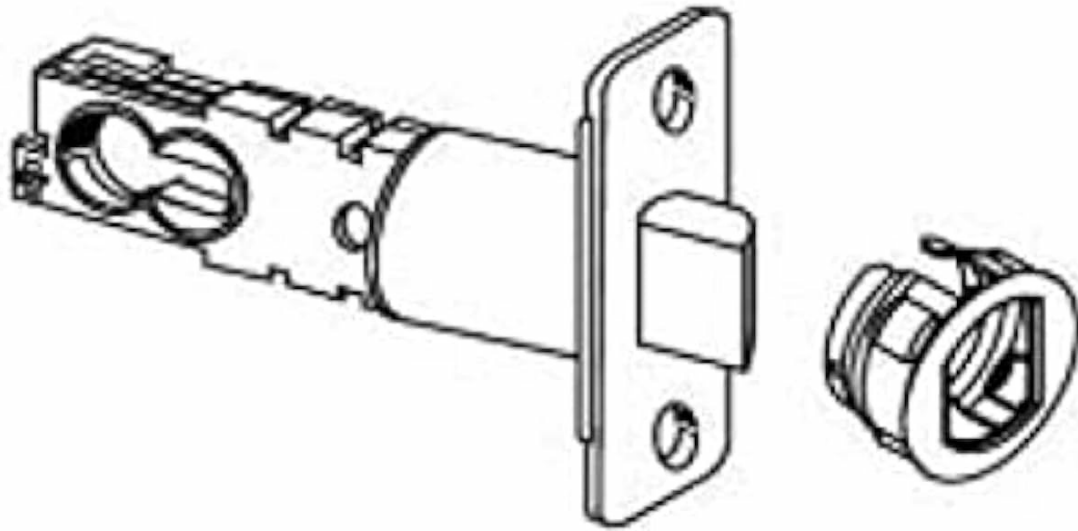


Figure 1: Exploded view of the Schlage 16-080 Dual Option Springlatch, showing the latch body, faceplate, and drive-in collar. This diagram illustrates the main components required for installation into a door.

Installation Steps

1. **Determine Backset:** Identify whether your door requires a 2-3/8 inch or 2-3/4 inch backset. The springlatch is designed to adjust to either.
2. **Prepare Door Edge:** Ensure the door edge is properly prepared for the latch. The springlatch includes an attached 1/4 inch radius round corner faceplate. For doors requiring a drive-in installation, the faceplate can be removed, and the drive-in collar used.
3. **Insert Latch:** Slide the springlatch into the bore hole on the edge of the door, ensuring the faceplate (or drive-in collar) is flush with the door edge.
4. **Secure Latch:** Use the provided screws to secure the faceplate to the door edge. If using the drive-in option, ensure it is firmly seated.
5. **Test Latch:** Before installing the rest of the lockset, manually operate the latch bolt to ensure it extends and retracts smoothly without obstruction.

OPERATION

The Schlage 16-080 springlatch is a hand-operated mechanism designed for smooth and reliable door closure. When the door is closed, the angled face of the latch bolt contacts the strike plate on the door frame, causing the bolt to retract. Once the door is fully closed, the spring mechanism extends the bolt into the strike plate opening, securing the door.

- **Opening the Door:** When integrated with a compatible lockset (e.g., F10, FA10, F40, FA40), turning the knob or lever retracts the springlatch bolt, allowing the door to open.
- **Closing the Door:** Pushing the door shut causes the springlatch bolt to automatically retract and then extend into the strike plate, securing the door in the closed position.

MAINTENANCE

Regular maintenance ensures the longevity and smooth operation of your springlatch.

- **Cleaning:** Periodically wipe the visible parts of the latch and faceplate with a soft, dry cloth to remove dust and grime. Avoid abrasive cleaners or solvents, which can damage the finish.
- **Lubrication:** If the latch bolt begins to stick or operate roughly, apply a small amount of graphite lubricant or a silicone-based spray lubricant to the moving parts of the bolt mechanism. Do not use oil-based lubricants, as they can attract dust and dirt.
- **Inspection:** Annually inspect the latch for any signs of wear, damage, or loose screws. Tighten any loose screws to ensure proper function.

TROUBLESHOOTING

Problem	Possible Cause	Solution
Latch bolt does not retract or extend smoothly.	Accumulation of dirt, lack of lubrication, or misalignment.	Clean the latch mechanism. Apply a graphite or silicone-based lubricant. Check for proper alignment with the strike plate and adjust if necessary.
Door does not latch securely.	Strike plate misalignment or worn latch bolt.	Ensure the strike plate on the door frame is correctly aligned with the latch bolt. Adjust the strike plate if needed. If the latch bolt is visibly worn, consider replacement.
Latch feels loose in the door.	Loose mounting screws.	Tighten the screws securing the faceplate to the door edge.

SPECIFICATIONS

- **Model Number:** 16080613
- **Compatible Locksets:** Schlage F10, FA10, F40, FA40 Series
- **Backset Options:** 2-3/8 inches (60mm) or 2-3/4 inches (70mm)
- **Faceplate Size:** 1 inch x 2-1/4 inches (25mm x 57mm)
- **Latch Diameter:** 7/8 inch (22mm)
- **Faceplate Corner:** 1/4 inch radius round corner, includes drive-in option
- **Material:** Bronze

WARRANTY INFORMATION

Schlage products are built using robust materials and advanced technology, backed by a manufacturer's guarantee. For specific warranty details and terms, please refer to the official Schlage warranty documentation provided with your original lockset or visit the official Schlage website.

CUSTOMER SUPPORT

If you encounter any issues not covered in this manual or require further assistance, please contact Schlage customer service. You can find contact information on the official Schlage website or through the retailer where you purchased the product.

