

TOOMAX ART162A

TOOMAX 420L Rattan Polypropylene Storage Box

MODEL: ART162A

1. Introduction

Thank you for choosing the TOOMAX 420L Rattan Polypropylene Storage Box, Model ART162A. This versatile storage solution is designed for both indoor and outdoor use, offering ample space for garden tools, cushions, pool accessories, and more. Its durable, UV-treated, and frost-resistant polypropylene construction ensures longevity and protection for your stored items. This manual provides essential information for safe assembly, operation, and maintenance of your storage box.

2. Safety Information

- **Do not climb or stand on the storage box.** This product is not designed to support human weight and may cause injury or damage.
- **Keep children away during assembly.** Small parts may pose a choking hazard.
- **Ensure the box is placed on a flat, stable surface.** Uneven surfaces can compromise stability and lead to tipping.
- **Distribute weight evenly inside the box.** Avoid placing all heavy items on one side.
- **Do not store hazardous materials or flammable liquids inside the box.**
- **Regularly inspect the box for any signs of damage or wear.** Discontinue use if significant damage is found.

3. Package Contents

Before beginning assembly, please ensure all components are present and undamaged. The package should contain the following main parts:

- Side Panels (2)
- Front Panel (1)
- Back Panel (1)

- Base Panel (1)
- Lid (1)

Note: No tools are required for assembly.

4. Setup and Assembly Instructions

Assembly of your TOOMAX storage box is designed to be quick and tool-free, typically taking around 10 minutes. Follow these steps:

1. **Prepare the Area:** Choose a flat, clean, and stable surface for assembly.
2. **Assemble the Side Panels:** Connect the front and back panels to the side panels by aligning the tabs and slots and pressing firmly until they click into place. Ensure the rattan texture faces outwards.
3. **Attach the Base:** Carefully align the assembled wall structure over the base panel. Press down firmly on all edges until the base clicks securely into the bottom grooves of the panels.
4. **Attach the Lid:** Position the lid over the assembled box. Align the hinges on the lid with the corresponding slots on the back panel and press down until they snap into place. Ensure the lid opens and closes smoothly.



The storage box with its lid fully open, revealing the spacious interior and the textured polypropylene material.



A detailed view of the bottom edge of the storage box, highlighting the sturdy base and small feet designed for stability.

5. Operating Instructions

Using your TOOMAX storage box is straightforward:

- **Opening the Lid:** Gently lift the front edge of the lid. The lid is designed to stay open for easy access to contents.
- **Closing the Lid:** Lower the lid until it rests securely on the top edges of the box. Ensure it is fully closed to maintain its waterproof seal.
- **Securing with a Padlock:** The lid features a designated area for a padlock (not supplied). Align the padlock shackle through the holes on the lid and the front panel to secure your belongings.



A close-up of the lid's locking mechanism, demonstrating how a standard padlock (not included) can be used to secure the contents.



The fully assembled storage box, closed, situated outdoors on a grassy area next to a wall, showcasing its anthracite color and rattan-like finish.



The storage box with its lid open, positioned in a garden, containing several green outdoor cushions, illustrating its capacity for storing items.

6. Maintenance

To ensure the longevity and appearance of your storage box, follow these simple maintenance guidelines:

- **Cleaning:** Wipe the surfaces with a damp cloth and mild soap. Avoid abrasive cleaners or harsh chemicals, which can damage the polypropylene.
- **UV and Frost Resistance:** The box is designed to withstand UV exposure and low temperatures. However, prolonged exposure to extreme conditions may affect its appearance over time.
- **Inspection:** Periodically check all connections and the lid for proper fit and any signs of wear or damage.

7. Troubleshooting

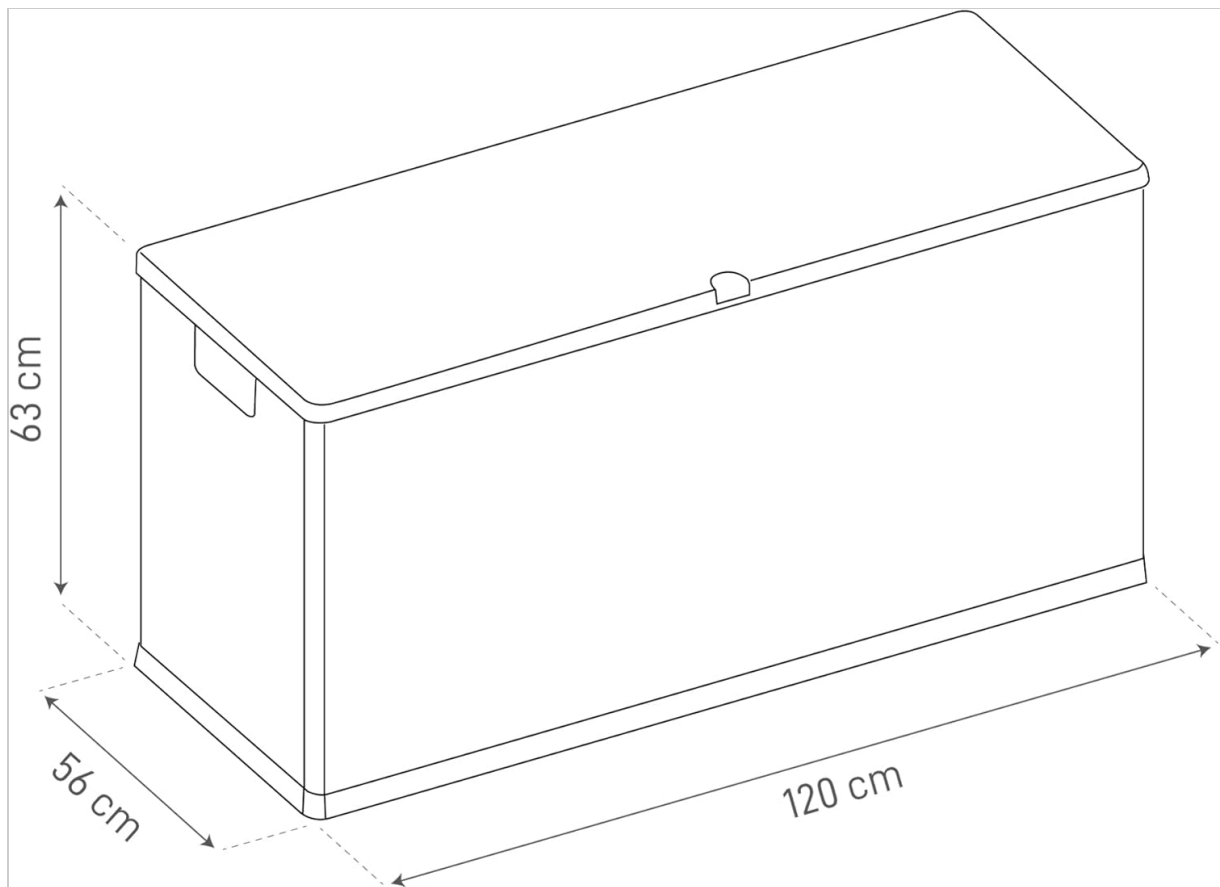
- **Water Leakage:** If you notice water inside the box, ensure the lid is fully closed and properly seated. Check for any gaps in the panel connections. Re-assemble if necessary, ensuring all tabs are securely clicked into place.
- **Lid Warping:** In some cases, the lid may slightly warp. This can often be remedied by placing a

moderate, even weight across the lid for a period to help it regain its shape. Ensure the box is not overfilled, which can put stress on the lid.

- **Difficulty in Assembly:** If panels do not click together easily, ensure they are correctly aligned. Apply firm, even pressure. Do not force components, as this may cause damage.

8. Specifications

Brand	TOOMAX
Model Number	ART162A (Z162R097)
Material	High-resistance Polypropylene
Color	Anthracite
Capacity	420 Liters
External Dimensions (L x W x H)	120 cm x 56 cm x 63 cm (47.2 x 22.0 x 24.8 inches)
Weight	9 kg (19.84 lbs)
Special Features	Waterproof, UV-treated, Frost-resistant, Padlock compatible (padlock not included), Integrated side handles, Tool-free assembly



An illustrative diagram providing the exact external measurements of the storage box: 120 cm in length, 56 cm in width, and 63 cm in height.

9. Warranty Information

This TOOMAX product is covered by a manufacturer's warranty against defects in materials and workmanship. Please refer to the original purchase documentation or contact your retailer for specific warranty terms and conditions. Keep your proof of purchase for any warranty claims.

10. Customer Support

For further assistance, troubleshooting, or to inquire about replacement parts, please contact your retailer or the TOOMAX customer service department. Contact information can typically be found on the manufacturer's website or your purchase receipt.