

CISA 111721501

CISA 111721501 Electric Gate Lock Instruction Manual

Model: 111721501 | Brand: CISA

1. INTRODUCTION

Thank you for choosing the CISA 111721501 Electric Gate Lock. This manual provides essential information for the correct installation, operation, and maintenance of your new electric lock. Please read these instructions carefully before proceeding with installation or use to ensure optimal performance and safety. Keep this manual for future reference.

2. PRODUCT OVERVIEW

The CISA 111721501 is a robust electric lock designed for surface mounting on external gates and iron doors. It features a self-locking deadbolt and offers versatile opening options. Its durable zinc-plated steel construction ensures longevity and security.

Key Features:

- Surface-mounted electric lock suitable for iron gates and doors.
- External opening with key.
- Internal opening with key or remote electric command.
- Right-hand opening configuration.
- 50 mm backset.
- Guaranteed opening even with voltage drops, down to 3.5V (patented).



Figure 1: CISA 111721501 Electric Gate Lock, front view.

3. SAFETY INFORMATION

Always prioritize safety during installation and operation. Disconnect power before performing any electrical connections or maintenance. Ensure all components are securely fastened. This product is designed for specific applications; do not modify it or use it for purposes other than intended. For detailed safety guidelines, refer to the official safety information document: [Safety Information \(PDF\)](#).

4. PACKAGE CONTENTS

Verify that all the following components are present in the package:

- Electric Lock with cylinder mounted
- Strike plate
- Under-strike plate
- Protective cover
- Fixing screws
- 3 keys

- Instruction sheet (this manual)

**Soluzione
sicura.**
Entrata
da 50 mm



Figure 2: CISA electric lock disassembled, showing the main unit, strike plate, protective cover, and other components.

5. INSTALLATION

The CISA 111721501 electric lock is designed for surface mounting on iron gates and doors. Ensure the mounting surface is stable and capable of supporting the lock's weight and operational forces. For detailed step-by-step installation instructions, please refer to the official user manual PDF: [User Manual \(PDF\)](#).

5.1. Dimensions and Orientation

Before installation, verify the lock's dimensions and ensure it matches the right-hand opening requirement of your gate.

Serratura elettrica da applicare

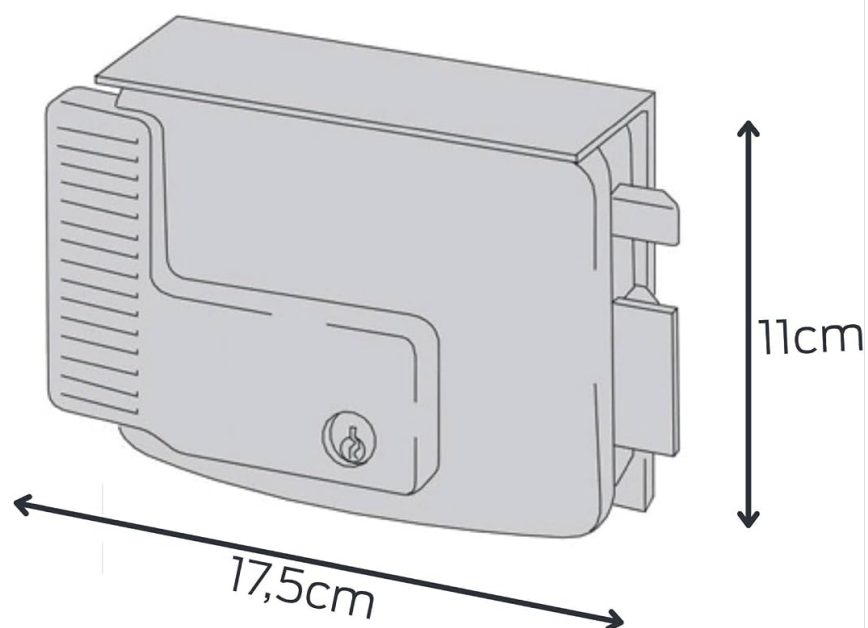


Figure 3: Diagram showing the dimensions of the CISA electric lock: approximately 17.5 cm length and 11 cm height.

L'elettroserratura CISA presenta l'apertura **Mano destra**

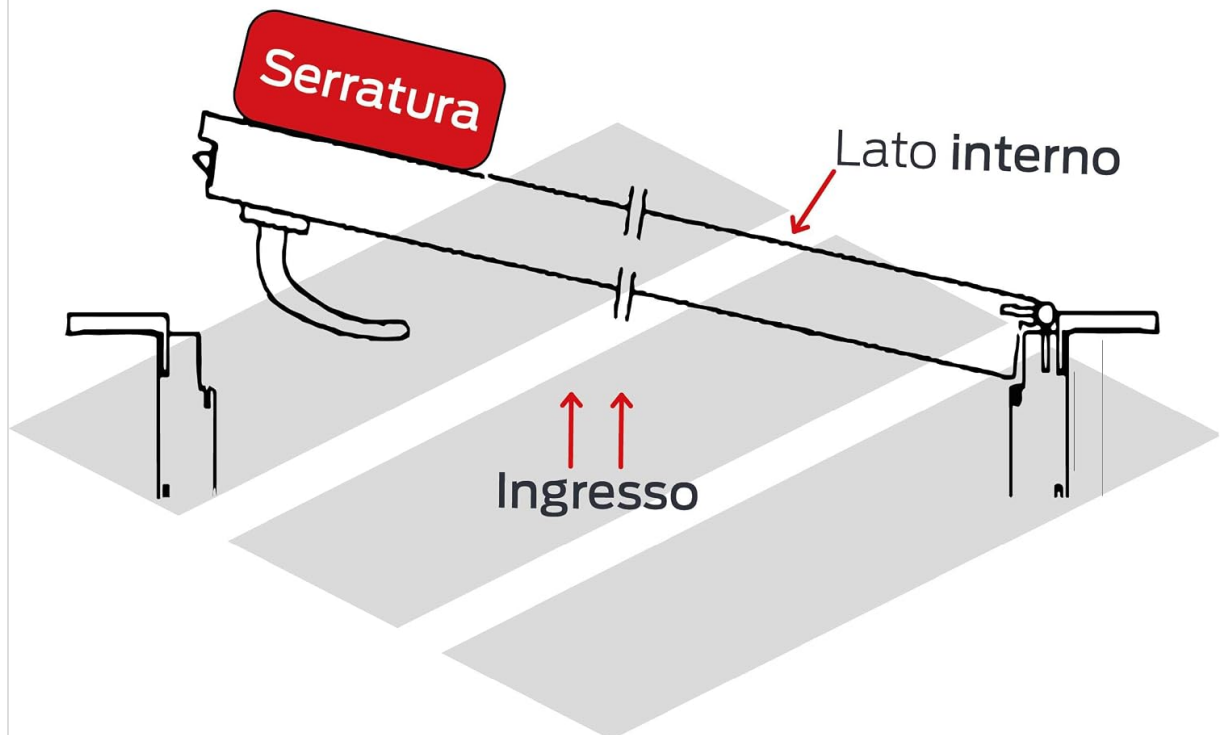


Figure 4: Diagram indicating the right-hand opening direction of the CISA electric lock, with internal side and entrance clearly marked.

5.2. Mounting Location

The lock is designed to be installed on the surface of iron gates or doors. Ensure proper alignment with the strike plate for smooth operation.

**Installabile su
cancelli e
portoni in ferro**



Figure 5: Close-up image of the CISA electric lock installed on an iron gate, showing the keyhole and the CISA branding.



Figure 6: The CISA electric lock securely installed on a decorative iron gate.

6. OPERATION

The CISA electric lock offers two primary methods of operation:

- **External Opening:** Insert the key into the cylinder on the exterior side of the lock and turn to unlock.
- **Internal Opening:** The lock can be opened from the interior using the key or by activating the remote electric command.



Apertura
dall'esterno con
chiave

Apertura dall'interno
con chiave e comando
elettrico a distanza



Tettuccio
protettivo
e sottobocchetta

Figure 7: Image illustrating the CISA electric lock's opening mechanisms: key operation from the outside, and key or remote electric command from the inside. Also shows the protective cover.

7. MAINTENANCE

Regular maintenance ensures the longevity and reliable operation of your CISA electric lock.

- **Cleaning:** Periodically clean the lock body and strike plate with a soft, dry cloth. Avoid abrasive cleaners or solvents.
- **Lubrication:** Apply a small amount of graphite-based lubricant to the key cylinder and moving parts of the bolt mechanism annually. Do not use oil-based lubricants as they can attract dirt.
- **Inspection:** Regularly check all mounting screws for tightness. Ensure the gate and lock alignment remain correct.

8. TROUBLESHOOTING

If you encounter issues with your CISA electric lock, refer to the following common problems and solutions:

Problem	Possible Cause	Solution
---------	----------------	----------

Problem	Possible Cause	Solution
Lock does not engage/disengage electrically.	No power, faulty wiring, or solenoid issue.	Check power supply and wiring connections. Consult a qualified electrician if necessary.
Key turns but lock does not open.	Cylinder mechanism jammed or worn keys.	Lubricate the cylinder. Try a new key if available. If problem persists, cylinder may need replacement.
Lock is stiff or difficult to operate.	Lack of lubrication, dirt accumulation, or misalignment.	Clean and lubricate moving parts. Check alignment of the lock and strike plate.
Gate rattles when closed.	Loose mounting screws or worn strike plate.	Tighten all mounting screws. Inspect and adjust the strike plate if necessary.

9. SPECIFICATIONS

Specification	Detail
Brand	CISA
Model Number	111721501 (Manufacturer Part Number: 254527)
Special Feature	Self-locking
Closure Type	Electronic
Item Dimensions (LxWxH)	17.5 x 11.6 x 11 cm
Material	Steel
Recommended Uses	Gates, Doors
Number of Pieces	1
Country of Origin	Italy
Control Method	Remote (Electric)
Style	50mm Backset
Color	Zinc-plated
Finish	Zinc-plated
Item Weight	2.14 Kilograms

10. WARRANTY AND SUPPORT

Warranty Information:

This CISA product comes with a two-year warranty from the date of purchase. Please retain your proof of

purchase for warranty claims. The warranty covers manufacturing defects under normal use conditions.

Customer Support:

For technical assistance, spare parts, or any questions not covered in this manual, please contact CISA customer support through their official website or your local distributor. Provide your product model number (111721501) and purchase details when contacting support.