

Einhell TC-AP 650 E

Einhell TC-AP 650 E Universal Saw Instruction Manual

Model: TC-AP 650 E

1. SAFETY INSTRUCTIONS

Always read and understand all safety warnings, instructions, illustrations, and specifications provided with this power tool. Failure to follow all instructions listed below may result in electric shock, fire, and/or serious injury.

1.1 General Power Tool Safety Warnings

- **Work Area Safety:** Keep the work area clean and well-lit. Cluttered or dark areas invite accidents. Do not operate power tools in explosive atmospheres, such as in the presence of flammable liquids, gases, or dust.
- **Electrical Safety:** Power tool plugs must match the outlet. Never modify the plug in any way. Do not use any adapter plugs with earthed (grounded) power tools. Avoid body contact with earthed or grounded surfaces such as pipes, radiators, ranges, and refrigerators.
- **Personal Safety:** Stay alert, watch what you are doing, and use common sense when operating a power tool. Do not use a power tool while you are tired or under the influence of drugs, alcohol, or medication. Always wear eye protection. Use dust masks, non-skid safety shoes, hard hats, or hearing protection for appropriate conditions.
- **Power Tool Use and Care:** Do not force the power tool. Use the correct power tool for your application. Disconnect the plug from the power source before making any adjustments, changing accessories, or storing power tools. Store idle power tools out of the reach of children.

1.2 Specific Safety Instructions for Reciprocating Saws

- Hold the power tool by insulated gripping surfaces when performing an operation where the cutting accessory may contact hidden wiring or its own cord.
- Use clamps or another practical way to secure and support the workpiece to a stable platform. Holding the work by hand or against your body leaves it unstable and may lead to loss of control.
- Always ensure the saw blade is securely fastened before operation.
- Do not touch the saw blade immediately after operation as it may be hot.

2. PRODUCT OVERVIEW

The Einhell TC-AP 650 E is a versatile reciprocating saw designed for various cutting tasks in wood and other materials. It

features a powerful 650W motor and electronic speed control for adapting to different materials.

2.1 Components

Familiarize yourself with the main components of your reciprocating saw:

- Saw Blade Holder
- Sole Plate (Adjustable)
- On/Off Switch
- Speed Control Dial
- Handle with Soft Grip
- Power Cord



Figure 1: Overview of the Einhell TC-AP 650 E Universal Saw. This image shows the complete tool, highlighting its ergonomic design and main body.

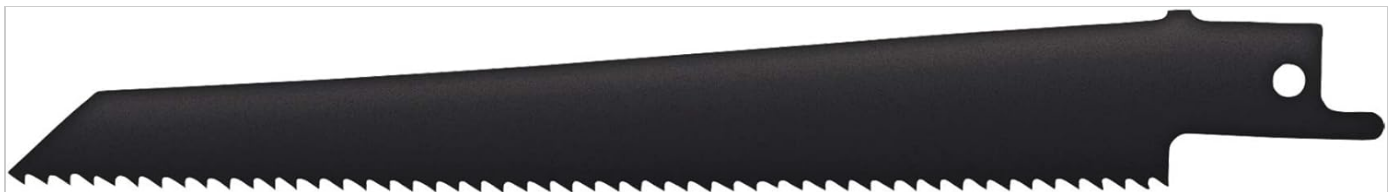


Figure 2: Example of a reciprocating saw blade. The saw comes with a 2-piece saw blade set, including a blade suitable for wood.

3. SETUP

3.1 Installing the Saw Blade

1. Ensure the power tool is disconnected from the mains supply.
2. Locate the tool-free blade change mechanism on the saw head.
3. Rotate the blade holder collar (or lever) to open the blade insertion slot.
4. Insert the shank of the saw blade into the slot until it clicks into place.
5. Release the blade holder collar to secure the blade. Gently pull on the blade to ensure it is firmly seated.



Figure 3: Diagram illustrating the tool-free blade change process. The arrows indicate rotating the collar and inserting the blade.



Figure 4: Close-up view of hands inserting a saw blade into the tool-free mechanism, demonstrating the ease of blade installation.

3.2 Adjusting the Sole Plate

The sole plate can be adjusted without tools to set the cutting depth and optimize blade usage.

1. Loosen the sole plate locking mechanism (refer to your saw's specific design, usually a lever or knob).
2. Slide the sole plate forward or backward to achieve the desired cutting depth.
3. Tighten the sole plate locking mechanism to secure it in position.

4. OPERATING

4.1 Switching On/Off

- To switch on the tool, press the On/Off switch.
- To switch off the tool, release the On/Off switch.

4.2 Speed Control

The Einhell TC-AP 650 E features continuously adjustable electronic speed control (500-3,000 strokes/min) to match the cutting speed to the material.

- Rotate the speed control dial to select the desired stroke rate. Lower speeds are suitable for harder materials or precise cuts, while higher speeds are for softer materials and faster cutting.



Figure 5: Close-up of the speed control dial, allowing users to adjust the stroke rate from minimum to maximum (MAX) for optimal cutting performance.

4.3 Cutting Techniques

- **General Cutting:** Place the sole plate firmly against the workpiece. Start the saw and guide it along the cutting line with steady pressure.
- **Plunge Cutting:** For plunge cuts into wood, tilt the saw forward so that the sole plate rests on the workpiece edge. Switch on the saw and slowly pivot it downwards until the blade penetrates the material.
- **Material Compatibility:** This saw is suitable for cutting wood up to 150 mm and metal up to 10 mm, depending on the installed blade.



Figure 6: A user demonstrating the operation of the reciprocating saw, cutting a wooden beam. Always ensure proper grip and workpiece stability.

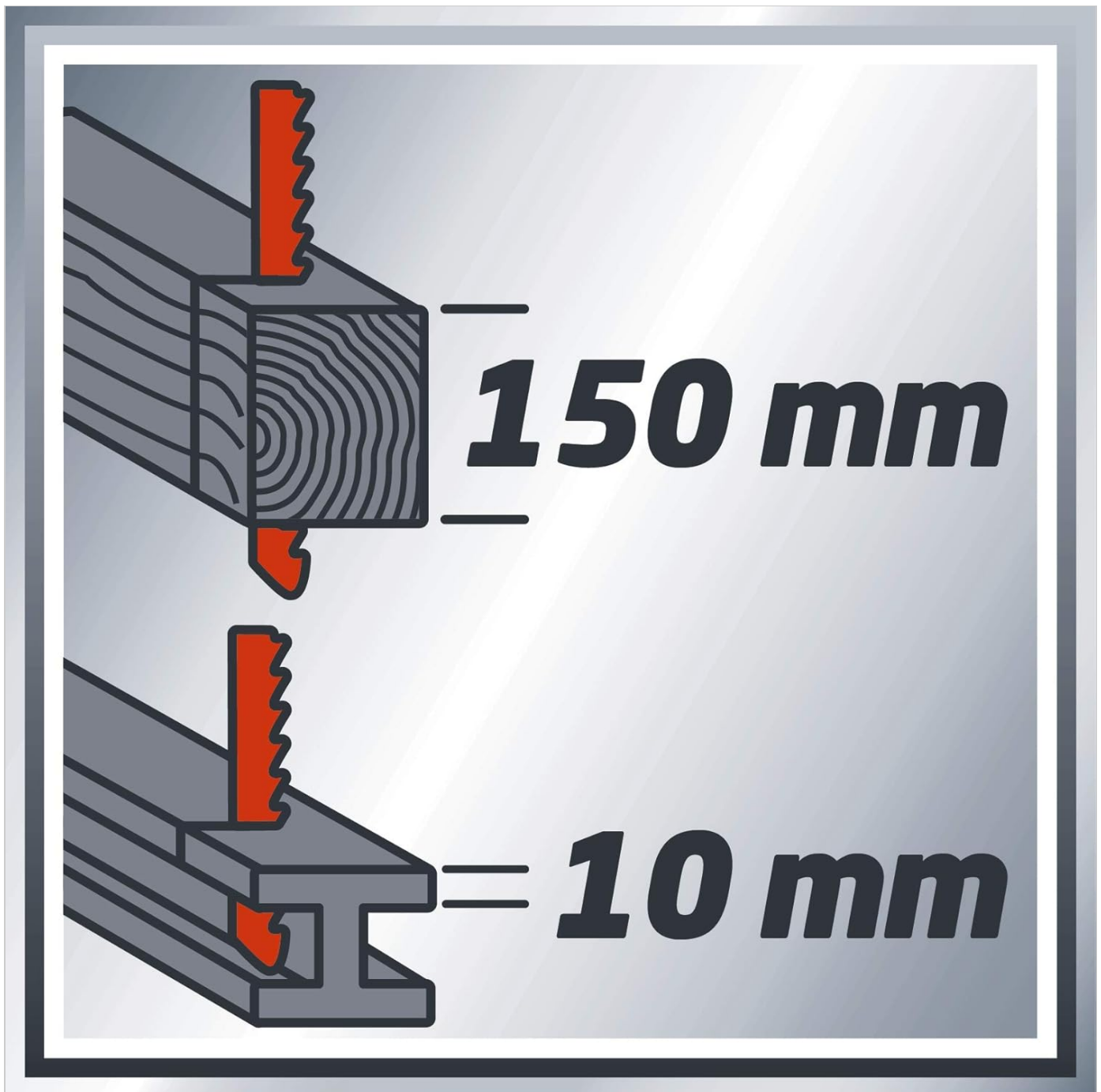


Figure 7: Diagram illustrating the maximum cutting depths: 150 mm for wood and 10 mm for metal, showcasing the saw's versatility.

5. MAINTENANCE

Regular maintenance ensures the longevity and safe operation of your Einhell TC-AP 650 E Universal Saw.

5.1 Cleaning

- Always disconnect the power plug before cleaning.
- Keep the ventilation slots clean to prevent overheating.
- Clean the tool housing regularly with a soft cloth, preferably after each use. Do not use abrasive cleaning agents or solvents.
- Remove any sawdust or debris from the blade holder area.

5.2 Blade Replacement

Replace saw blades when they become dull or damaged. Refer to Section 3.1 for blade installation instructions.

5.3 Storage

- Store the power tool in a dry, frost-free place, out of reach of children.
- Ensure the tool is clean and free of debris before storage.

6. TROUBLESHOOTING

This section addresses common issues you might encounter with your Einhell TC-AP 650 E Universal Saw.

Problem	Possible Cause	Solution
Tool does not start	No power supply; Faulty switch; Power cord damaged.	Check power connection; Contact qualified electrician for switch/cord repair.
Reduced cutting performance	Dull or incorrect saw blade; Incorrect speed setting.	Replace saw blade; Use appropriate blade for material; Adjust speed control dial.
Excessive vibration	Loose saw blade; Damaged saw blade; Worn internal components.	Ensure blade is securely fastened; Replace damaged blade; Contact service center.
Motor overheating	Blocked ventilation slots; Overloading the tool.	Clean ventilation slots; Reduce cutting pressure; Allow tool to cool down.

7. SPECIFICATIONS

Feature	Value
Model	TC-AP 650 E
Part Number	4326141
Brand	Einhell
Power Input	650 W
Voltage	230 V
Stroke Rate	500 - 3,000 strokes/min
Max. Cutting Depth (Wood)	150 mm
Max. Cutting Depth (Metal)	10 mm
Product Dimensions (L x W x H)	19.3 x 3.2 x 7.1 cm
Item Weight	2.9 kg
Power Source	Corded Electric
Handle Material	Plastic
Country of Origin	China
GTIN	04006825585292

8. WARRANTY AND SUPPORT

Einhell products are manufactured to high quality standards and undergo strict quality controls. This product is covered by a manufacturer's warranty. Please refer to the warranty card included with your purchase for specific terms and conditions.

For technical support, spare parts, or warranty claims, please contact your local Einhell service center or visit the official Einhell website. Spare parts availability in the EU is typically 1 year.

You can find more information and contact details on the official Einhell website: www.einhell.com

