



Manuals.plus /

› Blum /

› Blum Tandem Premium Undermount Drawer Slides 563F4570B User Manual

Blum 563F4570B

Blum Tandem Premium Undermount Drawer Slides 563F4570B User Manual

Model: 563F4570B

1. INTRODUCTION

This manual provides comprehensive instructions for the installation, operation, and maintenance of your Blum Tandem Premium Undermount Drawer Slides, model 563F4570B. These full-extension drawer slides feature an integrated soft-close mechanism, designed for smooth and quiet drawer operation. Please read this manual thoroughly before installation and use to ensure proper function and longevity of the product.

2. SAFETY INFORMATION

- Always wear appropriate personal protective equipment, such as safety glasses, during installation.
- Ensure all fasteners are securely tightened to prevent accidental detachment or failure.
- Do not exceed the maximum weight capacity of 100 pounds (45 kg) per drawer. Overloading can cause damage to the slides and cabinet structure.
- Keep small parts and screws out of reach of children.
- If you are unsure about any step of the installation process, consult a qualified professional.

3. PACKAGE CONTENTS

Verify that all components are present before beginning installation:

- Blum Tandem Premium Undermount Drawer Slides (1 pair - left and right)
- Mounting Screws
- Installation Instructions (this manual)

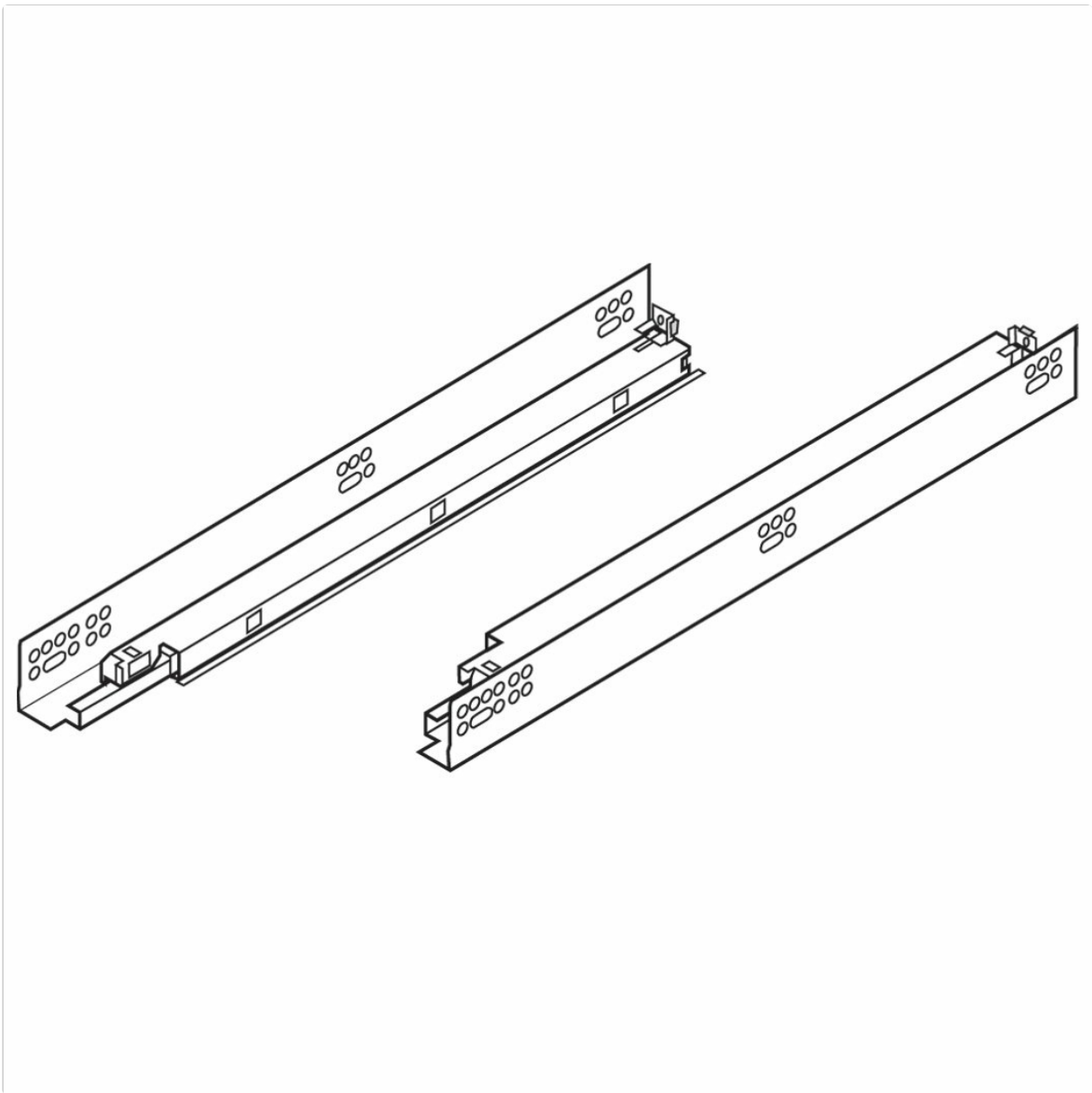


Figure 3.1: Overview of Blum Tandem Premium Undermount Drawer Slides. This image shows a pair of full-extension drawer slides, one for the left side and one for the right side of a drawer, with their integrated soft-close mechanisms visible.

4. SPECIFICATIONS

Model	563F4570B
Type	Undermount Drawer Slide
Extension	Full Extension
Drawer Side Thickness	Designed for 3/4" drawer sides
Drawer Length Compatibility	18" drawers (requires 18-3/4" minimum interior depth)
Soft Close	Integrated Blumotion Soft Close
Maximum Weight Capacity	100 lbs (45 kg)
Material	Alloy Steel
Mounting Type	Undermount to drawer, Side-mount to cabinet

5. SETUP AND INSTALLATION

Follow these steps for proper installation of your Blum Tandem drawer slides:

1. **Prepare the Cabinet:** Ensure the cabinet opening is square and the interior depth meets the minimum requirement. For 18" drawers, a minimum interior depth of 18-3/4" is required. For inset applications, increase the minimum interior depth by the thickness of the drawer front.
2. **Install Cabinet Members:** Attach the cabinet members of the slides to the interior sides of the cabinet. Use the provided screws. The slides are designed for side-mount to the cabinet. Rear-mount brackets (sold separately, search for "Blum Rear Mount") may be used for additional support or specific cabinet designs.
3. **Prepare the Drawer Box:** The drawer box should be constructed for undermount slides, typically with a 3/4" side thickness. Ensure the bottom of the drawer box is recessed to accommodate the slides.
4. **Attach Drawer Members:** Secure the drawer members of the slides to the underside of the drawer box.
5. **Install Locking Devices:** Locking devices (sold separately, search for "Blum Locking Device For Tandem Drawer Slides") are required to secure the drawer box to the slides. Attach these to the front underside of the drawer box according to their specific instructions.
6. **Insert Drawer:** Carefully align the drawer box with the cabinet slides and push the drawer in until the locking devices engage with the slides. You should hear a click.
7. **Adjustments:** Blum Tandem slides often feature adjustment mechanisms for height, tilt, and side-to-side alignment. Refer to the specific locking device instructions for detailed adjustment procedures to achieve perfect drawer alignment.

Note: For optimal performance and stability, ensure all screws are tightened appropriately, but do not overtighten.

6. OPERATING INSTRUCTIONS

The Blum Tandem Premium Undermount Drawer Slides are designed for smooth and quiet operation with an integrated soft-close feature.

- **Opening the Drawer:** Pull the drawer handle to open. The full extension feature allows the drawer to extend completely out of the cabinet, providing full access to its contents.
- **Closing the Drawer:** Gently push the drawer closed. The integrated Blumotion soft-close mechanism will engage in the final inches of travel, slowing the drawer down and pulling it silently and softly into the closed position. Avoid slamming the drawer, as the soft-close mechanism is designed to handle gentle closing.
- **Removing the Drawer:** To remove the drawer from the cabinet, locate the release levers on the locking devices (typically one on each side, underneath the drawer). Engage these levers (usually by pushing them up or down, depending on the model) and then pull the drawer straight out.

7. MAINTENANCE

Blum Tandem slides are engineered for durability and require minimal maintenance.

- **Cleaning:** Wipe the slide surfaces with a clean, damp cloth to remove dust and debris. Avoid using abrasive cleaners or solvents, as these can damage the finish or internal components.

- **Lubrication:** The slides are pre-lubricated and generally do not require additional lubrication under normal household use. If squeaking or stiffness occurs after extended use, a small amount of silicone-based lubricant can be applied to the moving parts, avoiding the soft-close mechanism.
- **Inspection:** Periodically check all mounting screws for tightness. Retighten if necessary. Inspect the slides for any signs of wear or damage.

8. TROUBLESHOOTING

Problem	Possible Cause	Solution
Drawer does not close smoothly or soft-close not engaging.	<ul style="list-style-type: none"> ◦ Obstruction in slide path. ◦ Drawer overloaded. ◦ Slides misaligned. ◦ Soft-close mechanism dirty or damaged. 	<ul style="list-style-type: none"> ◦ Check for debris or objects blocking the slides. ◦ Reduce drawer load to within specifications. ◦ Adjust drawer alignment using locking device adjustments. ◦ Clean slides; if mechanism is damaged, replacement may be necessary.
Drawer is stiff or difficult to open/close.	<ul style="list-style-type: none"> ◦ Lack of lubrication. ◦ Misalignment. ◦ Damaged slide. 	<ul style="list-style-type: none"> ◦ Apply a small amount of silicone-based lubricant. ◦ Check and adjust drawer alignment. ◦ Inspect slides for damage; replace if necessary.
Drawer sags or wobbles.	<ul style="list-style-type: none"> ◦ Loose mounting screws. ◦ Drawer overloaded. ◦ Improper installation of locking devices. 	<ul style="list-style-type: none"> ◦ Tighten all mounting screws on both cabinet and drawer members. ◦ Ensure drawer load is within the 100 lbs limit. ◦ Verify locking devices are correctly installed and engaged.

9. WARRANTY AND SUPPORT

Blum Tandem Premium Undermount Drawer Slides come with a **Lifetime Warranty**, reflecting the manufacturer's commitment to quality and durability. This warranty covers defects in material and workmanship under normal use.

For warranty claims, technical support, or further assistance, please contact Blum customer service through their official website or authorized distributors. Keep your purchase receipt as proof of purchase.

For more information, visit the official Blum website: www.blum.com