

## DEGEN DE31MS

# DEGEN DE31MS Indoor MW/SW Receiver Soft Loop Magnetic Portable Antenna User Manual

Model: DE31MS

## 1. INTRODUCTION

---

The DEGEN DE31MS is an active room magnetic antenna designed to improve Medium Wave (MW) and Shortwave (SW) signal reception for various radios. Its compact and lightweight design makes it suitable for portable use, enhancing reception in indoor environments such as hotel rooms or offices. This manual provides instructions for proper setup, operation, and maintenance of your DE31MS antenna.

## 2. PACKAGE CONTENTS

---

Carefully unpack the box and ensure all the following items are present:

- Controlling Box
- Amplifier Box
- Connecting Cable
- Connector (with clips and adaptor)
- Soft Antenna Loops
- MW Magnet Bar Inductor



Image: DEGEN DE31MS antenna components as typically packaged. Note that the packaging may vary.

### 3. SAFETY INFORMATION

---

- Do not expose the antenna or its components to water or excessive moisture.
- Use only the specified battery type (2 x 1.5V AAA).
- Keep out of reach of children.
- Avoid placing the antenna near strong electromagnetic interference sources.

### 4. SETUP INSTRUCTIONS

---

Follow these steps to set up your DEGEN DE31MS antenna for optimal reception:

#### 1. Positioning the Antenna Loop (3):

Place the soft antenna loops (3) in a suitable location, such as a window. While older versions included a suction cup, current models do not. You can use alternative methods like hanging it from a curtain rod using the provided clips or securing it with tape (not included) to a clean, flat surface like a window pane. Ensure the loop is fully extended for best performance.



Image: Example of the DEGEN DE31MS antenna loop mounted on a window for optimal signal reception.

## 2. **Battery Installation:**

Open the battery compartment (6) on the Controlling Box (7). Insert two fresh 1.5V AAA batteries, ensuring correct polarity. Close the battery compartment lid securely.

## 3. **Connecting Components:**

Refer to the connection diagram below:

- Connect one end of the Connecting Cable (4) to the Amplifier Box (A).
- Connect the other end of the Connecting Cable (4) to the Controlling Box (7).
- If your radio has an external antenna input socket, plug the adaptor (5) from the Controlling Box (7)

directly into your radio's antenna input.

- If your radio does not have an antenna input socket, use the provided Connector (1). Fasten the white clip of the Connector (1) to your radio's telescopic antenna (2). Fasten the black clip of the Connector (1) to a suitable grounding point on your radio (e.g., battery cover screw, metal chassis). Proper grounding can significantly improve signal reception.

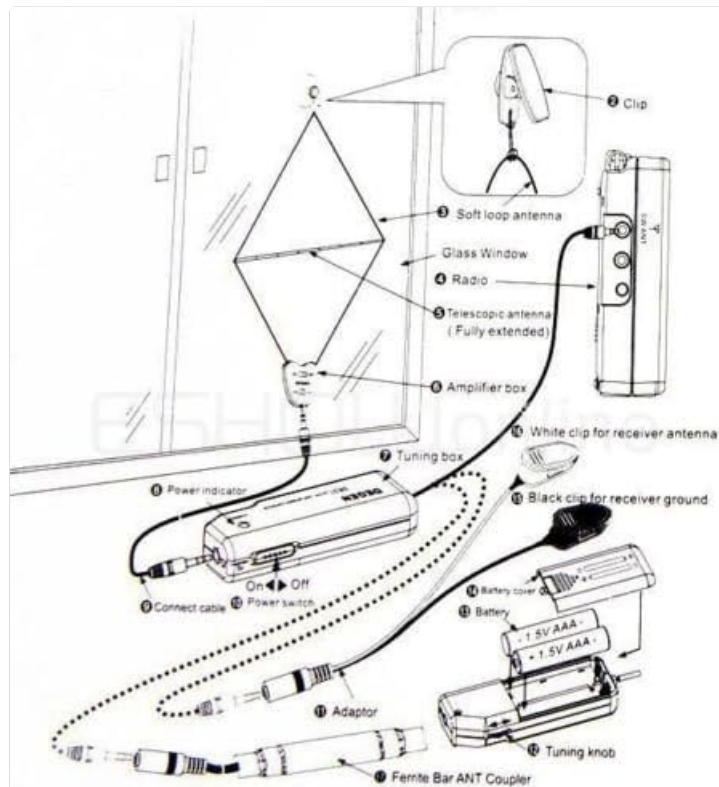


Image: Detailed connection diagram for the DEGEN DE31MS antenna, showing how to connect the amplifier, control box, and radio.

#### 4. Power On:

Once all connections are secure, turn on the power switch (4, on the side of the controlling box) on the Controlling Box (7). The power indicator (8) should illuminate, indicating the unit is active.

## 5. OPERATING INSTRUCTIONS

After successful setup, follow these steps to operate your DEGEN DE31MS antenna:

### 1. Tuning:

Use the tuning knob (9) on the Controlling Box (7) to adjust the antenna for the best signal reception. Slowly rotate the knob while listening to your radio until the desired station's signal strength and clarity are maximized.

### 2. MW Magnet Bar Inductor:

For Medium Wave (MW) reception, the included MW Magnet Bar Inductor can be used. Place it near your radio's internal ferrite rod antenna to enhance MW signals. Experiment with its position and orientation for optimal results.

### 3. Placement:

The Controlling Box (7) can be placed adjacent to your radio for convenient access to the power switch and tuning knob. Experiment with the placement of the antenna loop itself; sometimes a slight adjustment can significantly improve reception.

## 6. MAINTENANCE

---

- **Cleaning:** Wipe the antenna and control boxes with a soft, dry cloth. Do not use liquid cleaners or solvents.
- **Battery Replacement:** Replace batteries when the power indicator light dims or reception quality degrades. Always use fresh 1.5V AAA batteries.
- **Storage:** When not in use for extended periods, remove the batteries from the Controlling Box and store the antenna in a cool, dry place.

## 7. TROUBLESHOOTING

---

- **No Power Indicator Light:**
  - Check if batteries are inserted correctly with proper polarity.
  - Ensure batteries are fresh and not depleted.
  - Verify the power switch is in the "ON" position.
- **Poor or No Reception:**
  - Ensure all cables are securely connected between the antenna loop, amplifier box, controlling box, and radio.
  - Adjust the tuning knob (9) on the Controlling Box (7) slowly to find the optimal frequency.
  - Reposition the antenna loop (3). Try different locations in the room, especially near windows, and rotate it for better signal.
  - Ensure the antenna loop (3) is fully extended.
  - If using the clip connection (1), ensure the white clip is firmly attached to the radio's telescopic antenna (2) and the black clip to a good grounding point.
  - Check for local sources of interference (e.g., computers, fluorescent lights, power adapters). Move the antenna away from these devices.
  - For MW reception, experiment with the placement of the MW Magnet Bar Inductor near your radio.
- **Intermittent Connection:**
  - Check battery compartment (6) for loose batteries. Ensure the lid is closed tightly.
  - Inspect all cable connections for looseness or damage.

## 8. SPECIFICATIONS

---

<b>Model Number</b>	DE31MS
<b>Frequency Coverage</b>	MW: 531-1602 KHz SW: 3.9-22.00 MHz
<b>Power Source</b>	2 x 1.5V AAA batteries (not included)
<b>Power Consumption</b>	6 mAh
<b>Weight (approx.)</b>	180g (without batteries)
<b>Parcel Dimensions</b>	24 x 15 x 5 cm

## 9. WARRANTY AND SUPPORT

---

This product is manufactured by DEGEN. For specific warranty information or technical support, please refer to the documentation provided with your purchase or contact your retailer. Keep your purchase receipt as proof of purchase.