

[Manuals.plus](#) /

> [Winsome](#) /

> Winsome Ancona Wine Storage Model 92729 Instruction Manual

## Winsome 92729

# Winsome Ancona Wine Storage Instruction Manual

Model: 92729

Brand: Winsome

## 1. INTRODUCTION

Thank you for choosing the Winsome Ancona Wine Storage cabinet. This manual provides essential information for the safe assembly, proper use, and maintenance of your new wine cabinet. Please read these instructions carefully before beginning assembly and retain them for future reference.

The Ancona Modular Wine Cabinet is designed to store up to 20 wine bottles and 8-12 glasses, featuring a dark espresso finish crafted from solid and composite wood.





Image: Winsome Ancona Wine Storage cabinet, fully assembled and in use.

## 2. SAFETY INFORMATION

- **Assembly:** Always follow the assembly instructions precisely. Ensure all hardware is securely tightened before use.
- **Placement:** Place the cabinet on a flat, stable, and level surface to prevent tipping.
- **Weight Capacity:** Do not exceed the maximum weight capacities for each section. The top surface can hold up to 50 lbs (23 kg), the middle shelf up to 20 lbs (9 kg), and the side panel up to 60 lbs (27 kg). Overloading can cause instability and damage.
- **Children:** Keep children away from the assembly area. Do not allow children to climb on or play with the cabinet.
- **Wall Mounting:** This product is designed for freestanding use. If wall mounting is desired, ensure proper hardware and installation methods are used, suitable for your wall type.
- **Proposition 65 Warning:** This product may contain chemicals known to the State of California to cause cancer and birth defects or other reproductive harm.

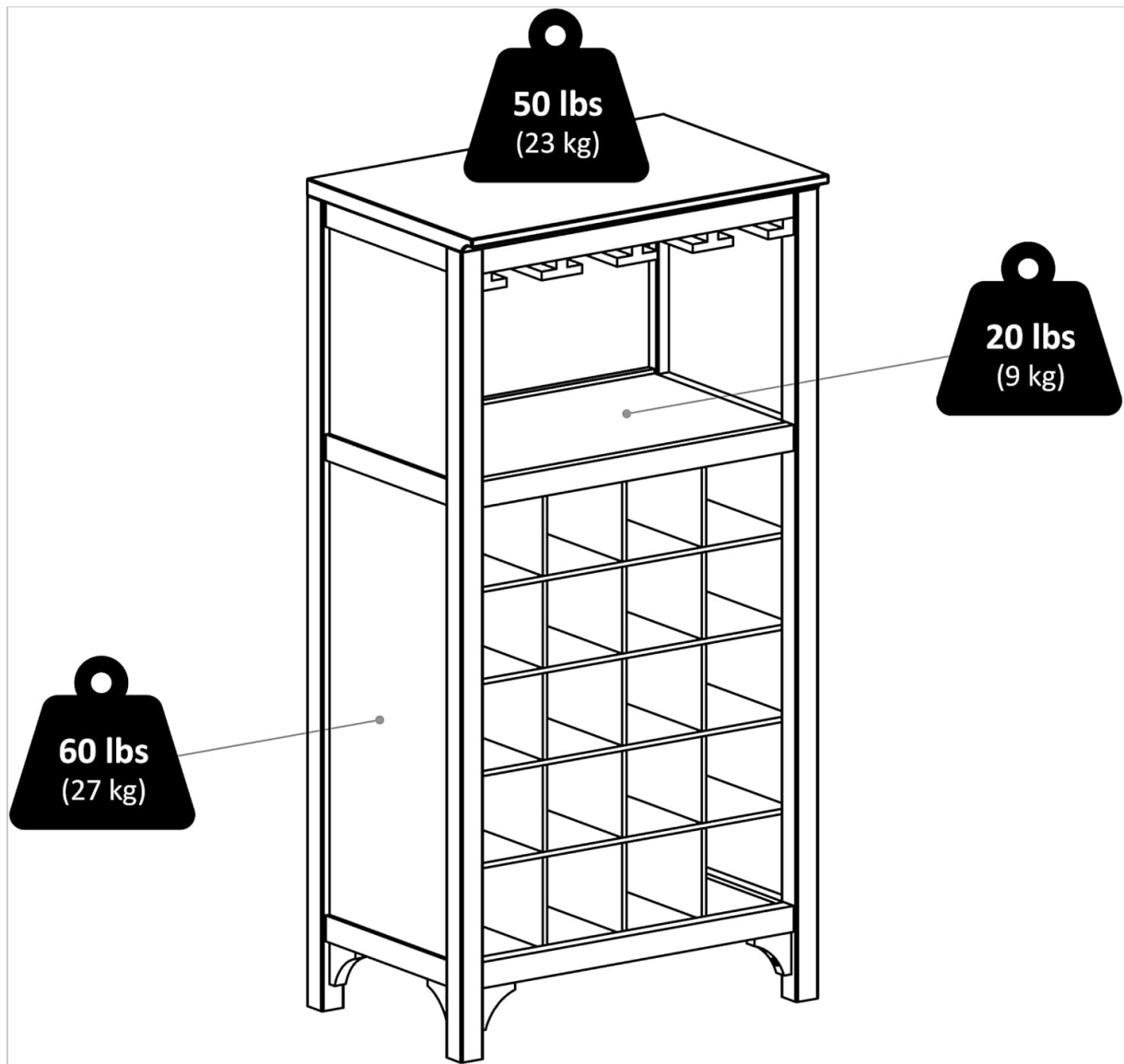


Image: Weight capacity diagram for the Ancona Wine Storage cabinet.

### 3. PACKAGE CONTENTS

All necessary components and hardware for assembly are included in the packaging. Please unpack all items and verify against the parts list provided in the separate assembly instructions before discarding any packaging materials.

### 4. ASSEMBLY INSTRUCTIONS (SETUP)

This product requires assembly. Please refer to the detailed assembly guide included in your package for step-by-step instructions. Ensure you have adequate space and the necessary tools (e.g., screwdriver) before beginning.

#### General Assembly Steps:

1. Unpack all components and hardware.
2. Identify each part using the provided diagrams.
3. Follow the sequential steps in the assembly guide.
4. Ensure all connections are secure but do not overtighten screws to avoid damaging the wood.
5. Once assembled, place the unit in its desired location.



Image: Dimensional drawing of the Ancona Wine Storage cabinet.

## 5. USAGE (OPERATING)

The Winsome Ancona Wine Storage cabinet is designed for home bar use, offering organized storage for your wine collection and glassware.

- **Wine Bottle Storage:** The cabinet features individual compartments capable of holding up to 20 standard wine bottles. Insert bottles horizontally to keep corks moist.

- **Glassware Storage:** The integrated glass rack can hold 8-12 glasses, depending on their size and style. Hang glasses upside down to keep them dust-free.
- **Top Surface:** Use the top surface for serving, displaying decorative items, or temporarily placing beverages. Adhere to the specified weight capacity.

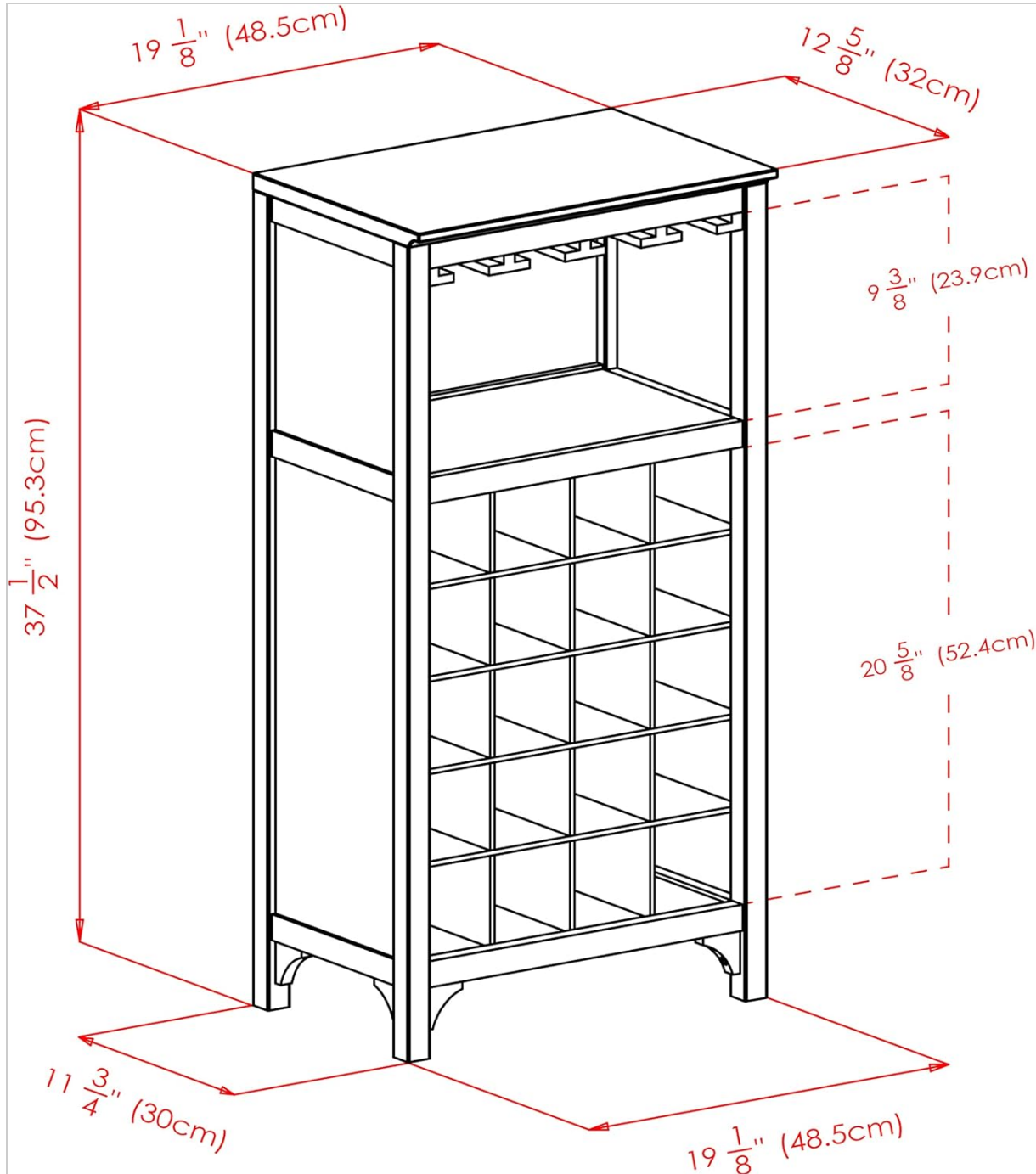


Image: Front view of the Ancona Wine Storage cabinet.

## 6. CARE AND MAINTENANCE

To maintain the appearance and longevity of your Winsome Ancona Wine Storage cabinet, follow these care instructions:

- **Cleaning:** Wipe clean with a damp cloth. Avoid using harsh chemicals, abrasive cleaners, or polishes that may damage the finish.
- **Spills:** Promptly wipe up any spills to prevent staining or water damage.
- **Sunlight:** Avoid prolonged exposure to direct sunlight, which can cause fading or discoloration of the

wood finish.

- **Heat and Moisture:** Keep the cabinet away from direct heat sources and areas of high humidity.

## 7. TROUBLESHOOTING

---

If you encounter any issues with your Winsome Ancona Wine Storage cabinet, consider the following:

- **Instability:** Ensure the cabinet is placed on a level surface. Check all assembly hardware to confirm it is securely tightened.
- **Damage:** If any part arrives damaged or becomes damaged during assembly, do not proceed with assembly. Contact customer support for assistance.
- **Missing Parts:** If any parts are missing, refer to the parts list in your assembly guide and contact customer support for replacements.

## 8. SPECIFICATIONS

---

| Feature                                | Detail                     |
|--|----------------------------|
| Brand                                  | Winsome                    |
| Model Number                           | 92729                      |
| Model Name                             | Ancona                     |
| Color                                  | Espresso                   |
| Material                               | Wood                       |
| Product Dimensions (D x W x H)         | 12.6"D x 19.09"W x 37.52"H |
| Item Weight                            | 30.3 Pounds                |
| Wine Bottle Capacity                   | 20 bottles                 |
| Glass Capacity                         | 8-12 glasses               |
| Maximum Weight Capacity (Top)          | 50 lbs (23 kg)             |
| Maximum Weight Capacity (Middle Shelf) | 20 lbs (9 kg)              |
| Maximum Weight Capacity (Side Panel)   | 60 lbs (27 kg)             |
| Assembly Required                      | Yes                        |

## 9. WARRANTY AND SUPPORT

---

**Manufacturer Warranty:** Replacement parts are available for up to 60 days from the date of purchase. Please retain your proof of purchase for warranty claims.

**Customer Support:** If you receive a damaged or defective item, or require assistance with assembly or

parts, please contact the retailer where the product was purchased or the Winsome support team for further assistance.