

Manuals.plus /

- › [Cornat /](#)
- › [Cornat FAB53 3102 Fabio SLM Sink Unit Faucet with Sprayer Instruction Manual](#)

## Cornat FAB53

# Instruction Manual

## CORNAT FAB53 3102 FABIO SLM SINK UNIT FAUCET WITH SPRAYER

Model: FAB53 | Brand: Cornat

### 1. Introduction

Thank you for choosing the Cornat FAB53 3102 Fabio SLM Sink Unit Faucet with Sprayer. This manual provides detailed instructions for the safe installation, operation, and maintenance of your new faucet. Please read all instructions carefully before beginning installation and retain this manual for future reference.



This image displays the Cornat Fabio SLM sink unit faucet, featuring a polished chrome finish and an integrated pull-out sprayer. The single lever handle is visible on the left.

## 2. Safety Information

---

Always observe the following safety precautions to reduce the risk of injury or property damage:

- Ensure the main water supply is turned off before starting any installation or maintenance work.
- Wear appropriate personal protective equipment, such as safety glasses and gloves.
- If you are unsure about any part of the installation process, consult a qualified plumber.
- Do not use abrasive cleaners or harsh chemicals on the faucet's finish, as this may cause damage.
- Check all connections for leaks after installation and before regular use.

## 3. Package Contents

---

Please verify that all components are present before beginning installation:

- Faucet body with integrated pull-out sprayer
- Mounting hardware (nut, washer, gasket)
- Hot and cold water supply hoses
- Weight for pull-out hose
- Instruction manual

## 4. Installation Guide

---

Follow these steps for proper installation of your Cornat Fabio SLM faucet:

1. **Prepare the Sink:** Ensure the mounting hole on your sink or countertop is clean and free of debris. The faucet requires a single hole installation.
2. **Mount the Faucet:** Insert the faucet body into the mounting hole. From underneath the sink, slide the rubber gasket, then the metal washer, and finally thread the mounting nut onto the faucet shank. Tighten the nut securely using a basin wrench, ensuring the faucet is properly aligned.
3. **Connect Water Supply Lines:** Attach the hot and cold water supply hoses to the corresponding inlets on the faucet body. Connect the other ends of the hoses to your hot and cold water supply valves. Ensure all connections are hand-tight, then use a wrench for a final quarter-turn to secure them, being careful not to overtighten.
4. **Install Sprayer Hose Weight:** Attach the provided weight to the pull-out sprayer hose underneath the sink. This weight helps the sprayer retract smoothly into the faucet body.
5. **Test for Leaks:** Slowly turn on the main water supply. Check all connections for any signs of leaks. If leaks are detected, tighten the connections slightly until the leak stops.
6. **Flush the System:** Turn on the faucet and let the water run for a few minutes to flush out any debris from the water lines.

## 5. Operating Instructions

---

The Cornat Fabio SLM faucet is designed for ease of use:

- **Water Flow and Temperature:** The single lever handle controls both water flow and temperature. Lift the handle to increase water flow. Move the handle to the left for hot water and to the right for cold water.
- **Using the Pull-Out Sprayer:** Gently pull the sprayer head from the faucet spout. The hose extends to provide flexibility for various tasks.

- **Sprayer Function:** The sprayer head typically features a button or switch to toggle between stream and spray modes. Press this button to select your desired water delivery pattern.
- **Retracting the Sprayer:** When finished, guide the sprayer head back into the faucet spout. The hose weight will assist in smooth retraction.



The Cornat Fabio SLM faucet is shown installed in a black kitchen sink, complementing a modern kitchen countertop and cabinetry. This view highlights the faucet's integration into a typical kitchen environment.

## 6. Care and Maintenance

---

Proper care will ensure the longevity and appearance of your faucet:

- **Cleaning the Finish:** Clean the faucet regularly with a soft, damp cloth and mild soap. Rinse thoroughly with clean water and dry with a soft cloth to prevent water spots.
- **Avoid Harsh Cleaners:** Do not use abrasive cleaners, scouring pads, ammonia-based cleaners, or cleaners containing bleach, acids, or alcohol, as these can damage the polished finish.
- **Aerator Maintenance:** If water flow becomes restricted, the aerator (at the tip of the sprayer) may be clogged. Unscrew the aerator, clean any debris, and rinse it under running water before reattaching.

## 7. Troubleshooting

---

Refer to this section for common issues and their solutions:

Problem	Possible Cause	Solution
Low Water Flow	Clogged aerator; partially closed shut-off valve; kinked supply hose.	Clean aerator; fully open shut-off valves; straighten supply hoses.
Leaks at Base of Faucet	Loose mounting nut; improperly seated gasket.	Tighten mounting nut; ensure gasket is correctly positioned.
Leaks from Handle	Worn cartridge.	Contact customer support for a replacement cartridge.
Sprayer Does Not Retract Fully	Hose weight is obstructed or improperly positioned.	Check for obstructions under the sink; ensure hose weight is securely attached and free to move.

## 8. Product Specifications

**Brand:** Cornat

**Model Number:** FAB53

**Mounting Type:** Deck Mount

**Finish Type:** Polished

**Material:** Brass

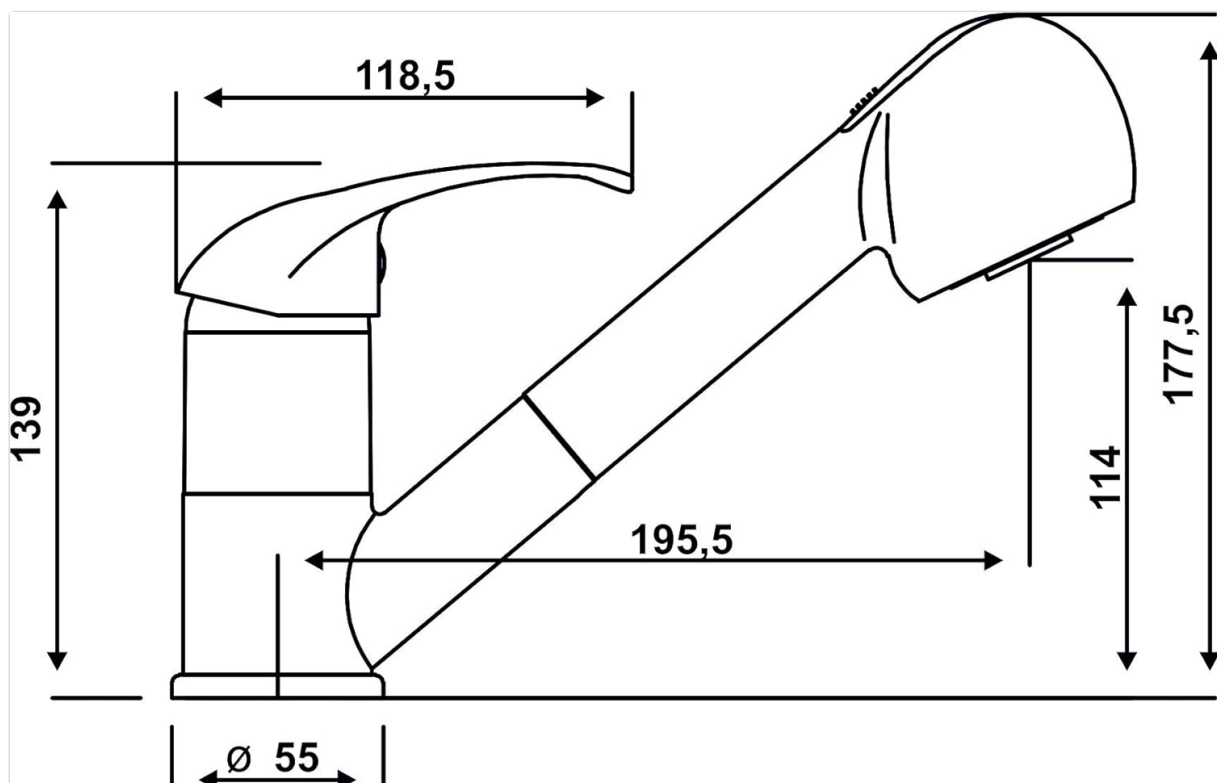
**Number of Handles:** 1

**Handle Type:** Lever

**Installation Type:** Single Hole

**Item Weight:** Approximately 3.56 pounds (1.61 kg)

**Package Dimensions:** Approximately 15.59 x 6.77 x 3.74 inches (39.6 x 17.2 x 9.5 cm)



A technical diagram illustrating the key dimensions of the Cornat Fabio SLM faucet. Measurements include a total height

of 139 mm, a spout reach of 195.5 mm, and a base diameter of 55 mm.

## **9. Warranty Information**

---

This Cornat product is covered by a manufacturer's warranty against defects in materials and workmanship. Please refer to the warranty card included with your purchase or visit the official Cornat website for specific terms and conditions. Keep your proof of purchase for warranty claims.

## **10. Customer Support**

---

If you have any questions, require technical assistance, or need to order replacement parts, please contact Cornat customer support. Contact information can typically be found on the product packaging or the official Cornat website.