

WAC Lighting TK-103LED

WAC Lighting TK-103LED Line Voltage Track Head Instruction Manual

[Introduction](#) [Safety Information](#) [Product Overview](#) [Setup & Installation](#) [Operation](#) [Maintenance](#) [Troubleshooting](#) [Specifications](#) [Warranty & Support](#)

1. INTRODUCTION

This manual provides detailed instructions for the safe installation, operation, and maintenance of your WAC Lighting TK-103LED Line Voltage Track Head with 8W GU10 LED Bulb. Please read all instructions carefully before installation and retain this manual for future reference. This product is designed for indoor use only.

2. SAFETY INFORMATION

WARNING: To reduce the risk of fire, electric shock, or injury to persons, please observe the following:

- Ensure power is turned off at the circuit breaker before installation or servicing.
- All electrical connections must be in accordance with local codes, ordinances, or the National Electric Code (NEC). Consult a qualified electrician if you are unfamiliar with proper electrical wiring connections.
- Do not install this fixture in wet or damp locations. This product is rated for dry locations only.
- Do not attempt to alter or modify the fixture. Any alterations may void the warranty and create a safety hazard.
- **Proposition 65 Warning:** This product may contain chemicals known to the State of California to cause cancer and birth defects or other reproductive harm.

3. PRODUCT OVERVIEW

The WAC Lighting TK-103LED is a line voltage track head designed for use with 120V track systems. It features a durable formed metal construction with a polycarbonate track adaptor and includes an 8W GU10 LED bulb. The fixture offers versatile aiming with 350-degree horizontal rotation and 90-degree vertical tilt, allowing for precise light direction.

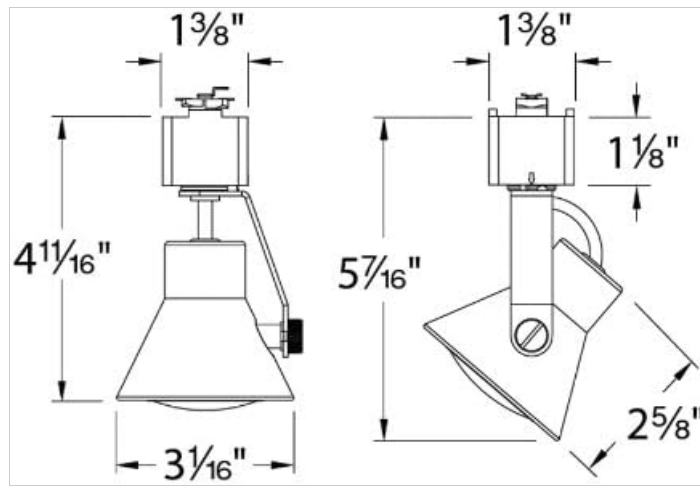


Figure 1: Product Dimensions

This diagram illustrates the dimensions of the WAC Lighting TK-103LED track head. The fixture measures approximately 4 1/16 inches in height when pointed downwards, and 5 7/16 inches when angled. The base width is 3 1/16 inches. The track adapter section is 1 3/8 inches wide and 1 1/8 inches high. The light head itself is 2 5/8 inches deep.

4. SETUP & INSTALLATION

This track head is designed for ceiling mount installation on 120V track systems. It is compatible with H, J/J2, and L track configurations. Ensure you have the correct track type for your installation.

4.1 Components Included

- Track fixture (with pre-installed 8W GU10 LED bulb)
- Installation instructions

4.2 Installation Steps

1. **Turn Off Power:** Before beginning installation, ensure the power to the track system is completely OFF at the circuit breaker.
2. **Identify Track Type:** Verify your track system is a 120V H, J/J2, or L type track. The track head adaptor is designed to fit these specific types.
3. **Insert Track Head:** Align the track head adaptor with the track slot. Push the adaptor firmly into the track and twist it to lock it into place. Ensure the electrical contacts on the adaptor engage properly with the track conductors.
4. **Secure Fixture:** Tighten any aiming screws or locking mechanisms on the track adaptor to secure the fixture's position on the track.
5. **Restore Power:** Once the fixture is securely installed, restore power at the circuit breaker.

5. OPERATION

5.1 Aiming the Light

The TK-103LED track head allows for flexible light direction. You can rotate the fixture 350 degrees horizontally and tilt it 90 degrees vertically to illuminate your desired area. Loosen the aiming screws slightly, adjust the fixture, and then re-tighten the screws to secure its position.

5.2 Dimming

This fixture is designed for smooth and continuous dimming from 100% down to 1% when used with an electronic low voltage (ELV) dimmer. For optimal performance and to avoid flickering, ensure your dimmer

switch is compatible with LED lighting and specifically with ELV dimming protocols.

6. MAINTENANCE

6.1 Cleaning

To clean the fixture, ensure power is off. Wipe with a soft, dry cloth. Do not use abrasive cleaners or solvents, as these may damage the finish or electrical components.

6.2 Re-Lamping (Bulb Replacement)

The TK-103LED track head uses a GU10 LED bulb. While the included LED bulb has a long lifespan, it can be replaced if necessary. The fixture is designed for easy re-lamping from the front without the use of tools. To replace the bulb:

1. Turn off power to the fixture at the circuit breaker.
2. Carefully grasp the decorative glass shade or the bulb itself and twist counter-clockwise to remove the GU10 bulb.
3. Insert a new GU10 LED bulb by aligning the pins with the socket holes and twisting clockwise until secure.
4. Restore power to the fixture.

7. TROUBLESHOOTING

Problem	Possible Cause	Solution
Fixture does not light up	No power to the track; Loose connection; Faulty bulb	Check circuit breaker; Ensure track head is properly seated and locked; Replace GU10 bulb.
Light flickers or dims inconsistently	Incompatible dimmer switch; Loose bulb connection	Ensure dimmer is an ELV LED compatible dimmer; Re-seat or replace GU10 bulb.
Fixture falls from track	Improper installation; Locking mechanism not engaged	Ensure track head adaptor is fully inserted and twisted to lock; Tighten all securing screws.

8. SPECIFICATIONS

Brand: WAC Lighting

Model Number: LTK-103LED-BK

Color: Black

Material: Aluminum (fixture), Glass (shade)

Style: L Track (compatible with H, J/J2 track types)

Specific Uses: Indoor use only

Power Source: AC

Light Source: LED

Number of Light Sources: 1

Voltage: 120 Volts

Wattage: 8 watts

Bulb Base: GU10

Switch Type: Dimmer compatible (ELV LED)

Brightness: 470 Lumen

Mounting Type: Ceiling Mount

Item Dimensions (L x W x H): 2.63" x 3.63" x 5.44" (Note: Height varies with aiming, refer to Figure 1 for detailed dimensions)

Item Weight: 4.32 ounces

UPC: 790576225050

9. WARRANTY & SUPPORT

9.1 Manufacturer Warranty

WAC Lighting provides a warranty for this product: 5 years for functional components and 2 years for the finish. Please retain your proof of purchase for warranty claims.

9.2 Customer Support

For technical assistance, replacement parts, or warranty inquiries, please contact WAC Lighting customer support. Refer to the WAC Lighting website or product packaging for current contact information.