



[Manuals.plus](#) /

› [GROHE](#) /

› GROHE 37322000 Float Valve Spare Part User Manual

GROHE 37322000

GROHE 37322000 Float Valve Spare Part User Manual

Model: 37322000 | Brand: GROHE

1. INTRODUCTION

This user manual provides essential information for the installation, operation, and maintenance of your GROHE 37322000 Float Valve Spare Part. This high-quality component is designed to regulate water levels in cisterns and tanks, ensuring efficient and reliable performance. Please read this manual thoroughly before installation and keep it for future reference.



Image 1.1: The GROHE 37322000 Float Valve, a white plastic and metal assembly designed for water level regulation.

2. PRODUCT FEATURES

- **Side Feed:** Designed for water inlet from the side of the cistern or tank.
- **No Compensation Part for Deviations:** Streamlined design for direct installation.
- **Protective Cap:** Includes a cap for protection or specific installation requirements.
- **Material:** Constructed from durable metal and plastic components for longevity.

3. INCLUDED COMPONENTS

The package for the GROHE 37322000 Float Valve includes:

- 1 x GROHE 37322000 Float Valve
- 1 x Assembly Instructions (this manual)

4. SPECIFICATIONS

Attribute	Detail
Manufacturer	GROHE
Product Dimensions (L x W x H)	2 x 38.5 x 47.5 cm (0.79 x 15.16 x 18.7 inches)
Item Weight	281.23 grams (0.62 lbs)
Model Number	37322000
Color	White
Material	Metal
Number of Pieces	1
Measurement System	Metric
Certification	EN 1074-1, 1717
Valve Type	Float Valve
Input Connection Type	Flange
Output Connection Type	Flange
Number of Ports	2

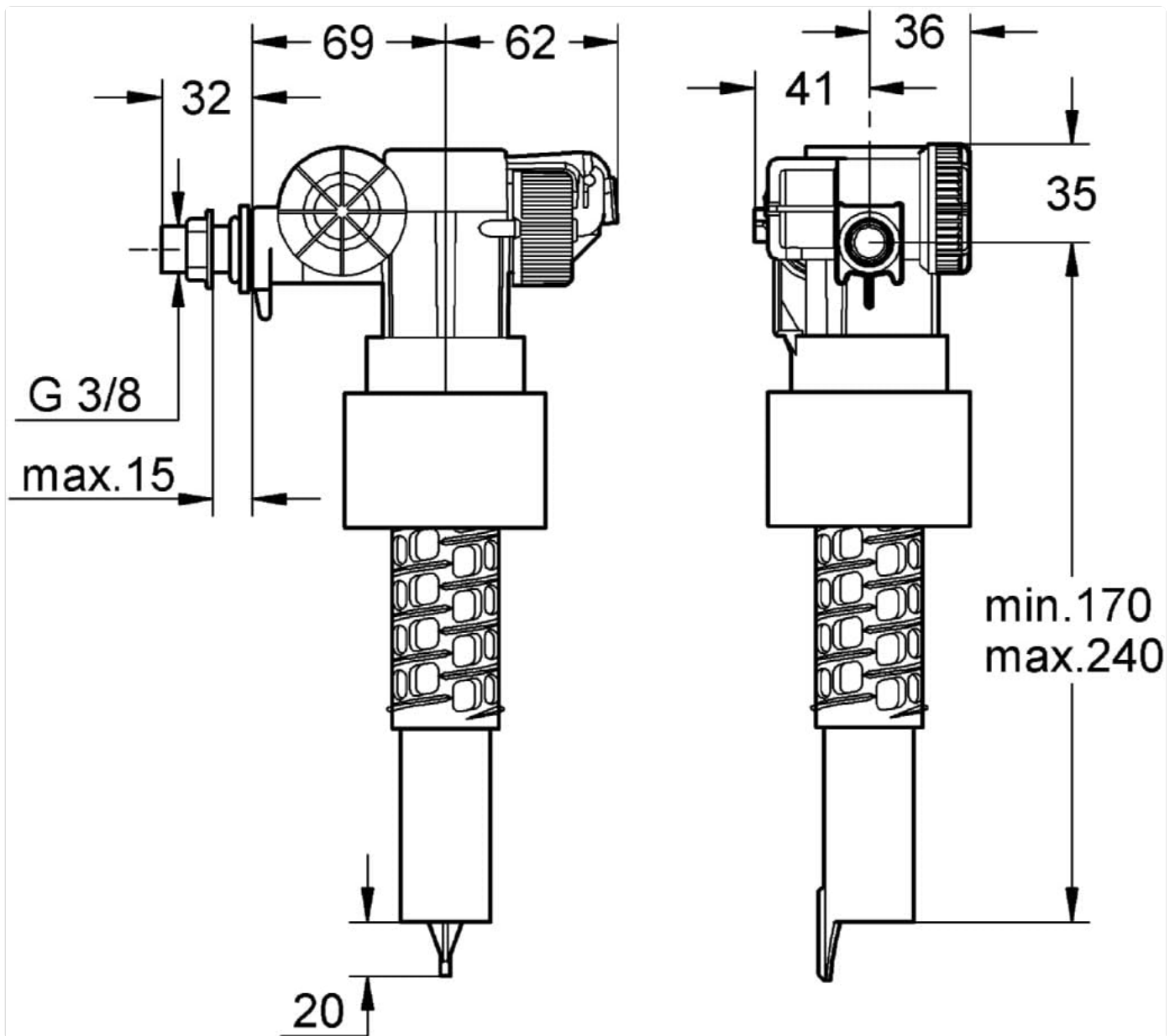


Image 4.1: Technical drawing showing the dimensions of the GROHE 37322000 Float Valve. Key measurements include overall length, width, and connection sizes (G 3/8).

5. SETUP AND INSTALLATION

Installation should be performed by a qualified professional to ensure proper function and compliance with local plumbing codes. Always shut off the main water supply before beginning any installation work.

5.1. Preparation

1. Turn off the main water supply to the toilet or tank where the float valve will be installed.
2. Flush the toilet to empty the cistern.
3. Remove any remaining water from the cistern using a sponge.

5.2. Removing the Old Float Valve (if applicable)

1. Disconnect the water supply line from the existing float valve.
2. Unscrew the retaining nut from the underside of the cistern that holds the float valve in place.
3. Carefully remove the old float valve from the cistern.

5.3. Installing the New GROHE 37322000 Float Valve

1. Insert the new GROHE 37322000 Float Valve into the designated opening in the cistern, ensuring the side feed aligns correctly.
2. From the underside of the cistern, secure the float valve with the retaining nut, tightening it firmly but without overtightening to avoid damage.
3. Connect the water supply line to the float valve's inlet. Ensure all connections are sealed properly to prevent leaks.
4. Slowly turn on the main water supply and check for any leaks.
5. Allow the cistern to fill and observe the float mechanism. Adjust the float arm or water level screw (if present) to achieve the desired water level.

6. OPERATING INSTRUCTIONS

The GROHE 37322000 Float Valve operates automatically to maintain the water level in your cistern. Once installed and the water supply is turned on, the valve will open to allow water to fill the cistern. As the water level rises, the float mechanism lifts, gradually closing the valve until the desired water level is reached. When the cistern is flushed, the water level drops, causing the float to descend and the valve to open again, refilling the cistern.

No manual operation is required for the valve itself during normal use, beyond ensuring the water supply is active.

7. MAINTENANCE

Regular maintenance helps ensure the longevity and optimal performance of your float valve.

7.1. Cleaning

- Periodically inspect the float valve for mineral deposits or debris, especially in hard water areas.
- To clean, turn off the water supply and drain the cistern. Gently wipe down the valve components with a soft cloth and mild, non-abrasive cleaner.
- Do not use harsh chemicals or abrasive tools, as these can damage the valve's components.

7.2. Inspection

- Check for any signs of wear or damage, such as cracks in plastic parts or corrosion on metal components.
- Ensure the float arm moves freely without obstruction.
- Verify that the water level in the cistern is consistent and at the desired height.

8. TROUBLESHOOTING

If you encounter issues with your float valve, refer to the following common problems and solutions:

Problem	Possible Cause	Solution
Cistern not filling or filling slowly	Water supply off; clogged inlet; faulty float mechanism.	Check water supply valve; clean inlet filter; inspect float for obstruction or damage.
Cistern continuously running/overflowing	Float set too high; float arm obstructed; worn seal.	Adjust float to lower water level; clear obstructions; inspect and replace worn seals if necessary.
Leaks around the valve base	Loose connection; damaged washer/gasket.	Tighten retaining nut (do not overtighten); replace washer/gasket.

If problems persist after attempting these solutions, it is recommended to contact a qualified plumber or GROHE customer

support.

9. WARRANTY AND SUPPORT

9.1. Manufacturer's Warranty

The GROHE 37322000 Float Valve comes with a **one-year warranty** from the date of purchase against defects in materials and workmanship. This warranty covers manufacturing faults under normal use conditions. Please retain your proof of purchase for warranty claims.

For detailed warranty terms and conditions, please refer to the official GROHE website or contact their customer service.

9.2. Customer Support

For technical assistance, spare parts, or warranty inquiries, please contact GROHE customer support. Visit the official GROHE website for contact information specific to your region.

You can find more information and products at the [GROHE Brand Store](#).

