



Manuals.plus /

› DHP /

› DHP Junior Twin Metal Loft Bed with Slide, Silver with Blue Slide (Model 005513198) - Instruction Manual

DHP 005513198

DHP Junior Twin Metal Loft Bed with Slide - Instruction Manual

Brand: DHP

Model: 005513198

1. INTRODUCTION

This manual provides essential information for the safe and proper use, assembly, and maintenance of your DHP Junior Twin Metal Loft Bed with Slide. Please read all instructions carefully before assembly and use. This loft bed is designed to accommodate one standard twin mattress and features a slide for recreational use. It is suitable for children aged four years and older.

2. SAFETY INFORMATION

- **Weight Limit:** Do not load more than 200 pounds on the loft bed.
- **Age Restriction:** Not suitable for children under four years of age.
- **Mattress Compatibility:** Use only a standard twin-size mattress. Ensure the mattress thickness allows for adequate guardrail height above the mattress surface for safety.
- **Guardrails:** Always ensure all guardrails are securely in place before use.
- **Slide Safety:** Supervise children during slide use. Ensure the area around the slide is clear of obstructions.
- **Regular Inspection:** Periodically check all connections and fasteners to ensure they are tight and secure.
- **Ventilation:** Ensure adequate ventilation around the bed, especially if using the under-bed area for play or storage.

3. PRODUCT FEATURES

- **Design:** Contemporary design with a playful slide.
- **Frame:** Sturdy metal frame construction.
- **Mattress Support:** Includes metal slats, eliminating the need for a box spring or foundation.

- **Safety Features:** Full-length guardrails for enhanced safety.
- **Space-Saving:** Loft design provides ample space underneath for play, storage, or an additional mattress (sold separately).
- **Dimensions:** Once assembled, the bed measures approximately 77.5" L x 98.5" W x 43" H.

4. SPECIFICATIONS

Brand	DHP
Model Number	005513198
Size	Twin
Product Dimensions	77.5" L x 98.5" W x 43" H
Material	Metal
Color	Silver (with Blue Slide)
Weight Limit	200 lbs
Ground to Item Distance	29 Inches
Included Components	Slat, Slide

5. SETUP AND ASSEMBLY

Assembly instructions are included with your product packaging. Please refer to the dedicated assembly manual for detailed, step-by-step guidance on setting up your DHP Junior Twin Metal Loft Bed with Slide. Ensure all parts are present and undamaged before beginning assembly. It is recommended to have two adults for assembly.

6. OPERATING INSTRUCTIONS

6.1 General Use

- Ensure the bed is placed on a flat, stable surface.
- Regularly check all bolts and screws to ensure they remain tight.
- Do not allow jumping on the bed or slide, as this can cause injury or damage to the product.

6.2 Slide Usage

- Children should always slide feet first.
- Only one child should use the slide at a time.
- Ensure the landing area of the slide is clear before use.
- Adult supervision is recommended during slide use.

6.3 Under-Bed Area

- The space beneath the loft bed can be used for storage or as a play area.
- Keep the area tidy to prevent tripping hazards.
- Avoid placing heavy or sharp objects directly under the bed where they could cause injury.

7. MAINTENANCE

- **Cleaning:** Wipe down the metal frame with a soft, damp cloth. Avoid abrasive cleaners or harsh chemicals that could damage the finish.
- **Fasteners:** Periodically inspect all nuts, bolts, and screws. Tighten any loose fasteners to maintain structural integrity.
- **Moving the Bed:** If relocating the bed, disassemble it first to prevent damage to the frame or injury.

8. TROUBLESHOOTING

- **Squeaking Noises:** If the bed makes squeaking noises, check and tighten all assembly bolts. Ensure the bed is on a level surface.
- **Instability:** If the bed feels unstable, re-check all connections and ensure they are fully tightened according to the assembly instructions. Verify that the bed is not missing any components.
- **Missing Parts:** If any parts are missing or damaged upon arrival, contact DHP customer support for assistance.

9. PRODUCT VISUALS AND DEMONSTRATIONS

9.1 Product Images

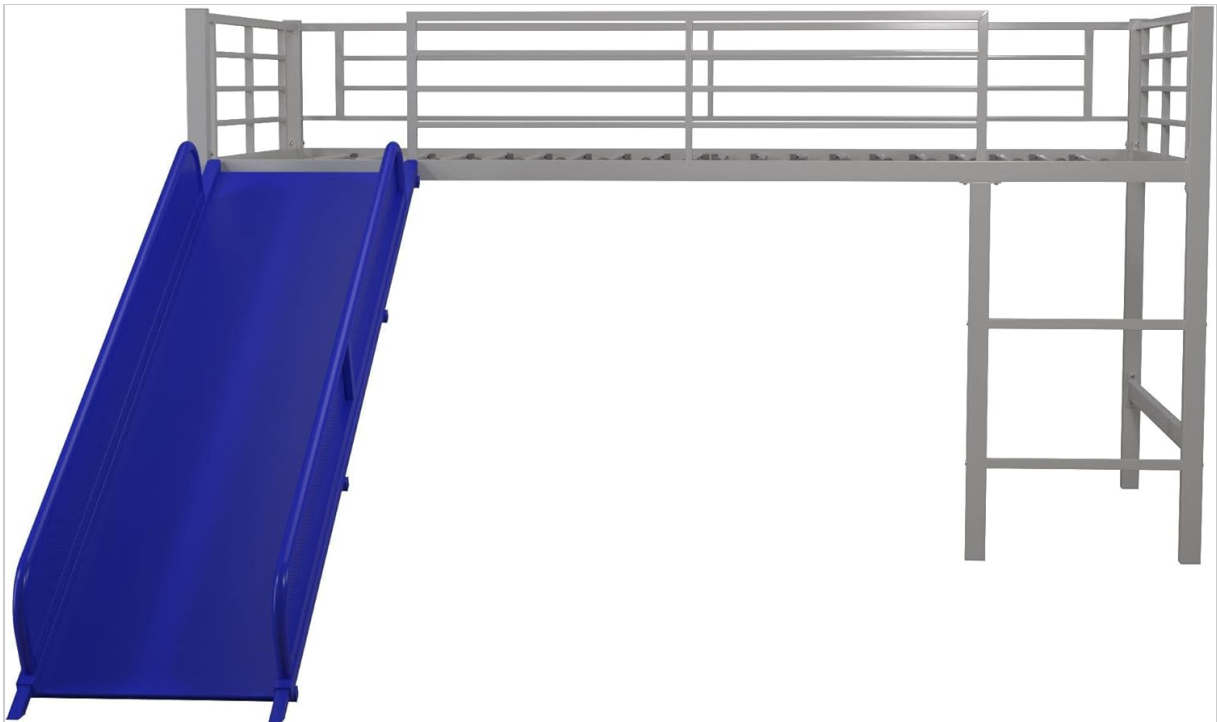


Image: DHP Junior Twin Metal Loft Bed with Blue Slide. This image shows the overall structure of the silver metal loft bed with its attached blue slide.

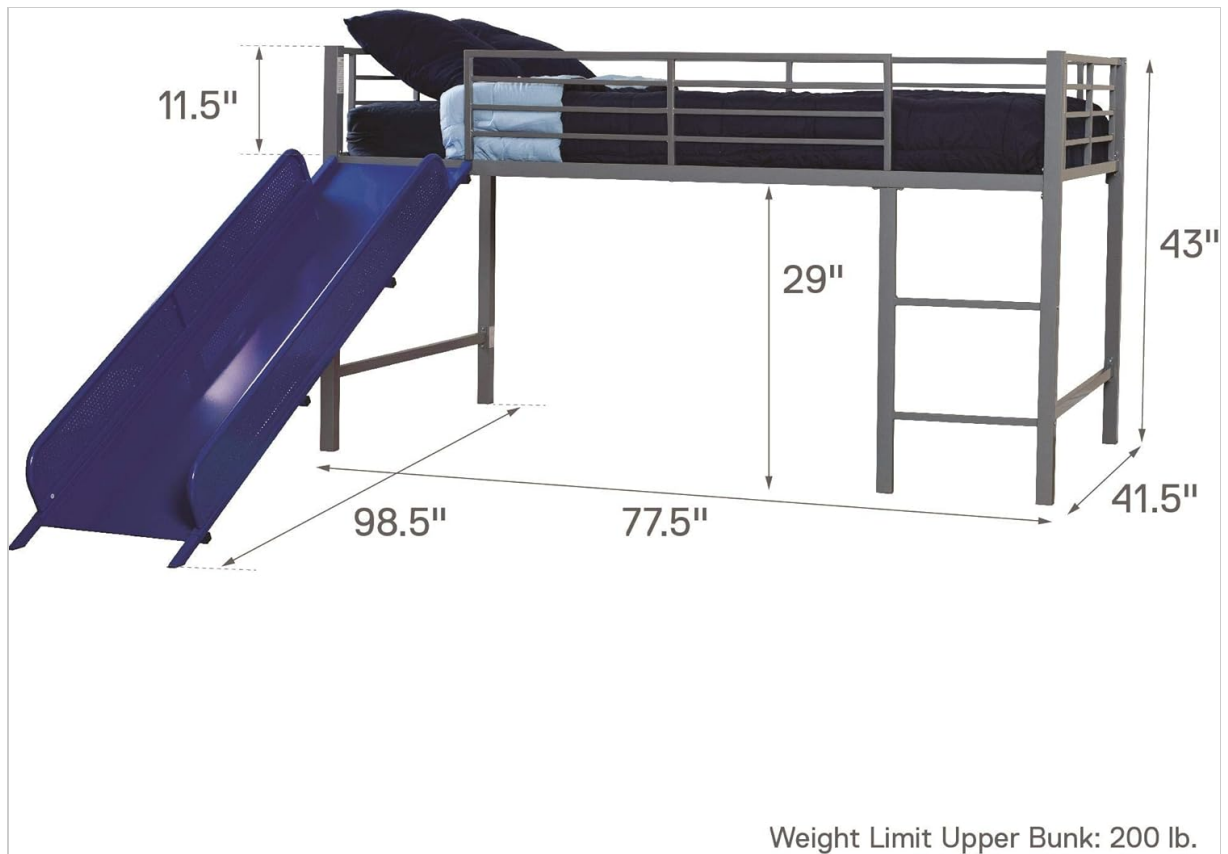


Image: DHP Junior Twin Metal Loft Bed with Dimensions. This image illustrates the key measurements of the loft bed, including length, width, and height, as well as the slide's length and height from the bed.



Image: DHP Junior Twin Metal Loft Bed highlighting Full-Length Guardrails. This image focuses on the guardrails along the top bunk, emphasizing the safety feature for the user.



Child Friendly

FULL-LENGTH GUARDRAILS



Image: DHP Junior Twin Metal Loft Bed with Secured Metal Slats. This image provides a close-up view of the metal slats that support the mattress, indicating a sturdy foundation without the need for a box spring.

9.2 Product Videos

Your browser does not support the video tag.

Video: DHP Junior Twin Metal Loft Bed with Slide. This video provides a brief overview of the DHP Junior Twin Metal Loft Bed, showcasing its design and features.

Your browser does not support the video tag.

Video: DHP Junior Twin Metal Loft Bed with Slide, Multifunctional Design, Silver with Blue Slide. This video offers a detailed look at the DHP Junior Twin Metal Loft Bed, highlighting its multifunctional design and the silver finish with a blue slide.

10. WARRANTY AND SUPPORT

DHP (Dorel Home Products) offers a 1-year limited warranty on this product. For warranty claims, replacement parts, or any product-related inquiries, please contact DHP customer support. Refer to the contact information provided in your product packaging or visit the official DHP website for further assistance.

Manufacturer: Dorel Home Furnishings

