



[Manuals.plus](#) /

› [Hansa](#) /

› Hansa Thermostatic Shower Mixer 58130101 User Manual

Hansa 58130101

Hansa Thermostatic Shower Mixer 58130101 User Manual

Model: 58130101 | Brand: Hansa

INTRODUCTION

This manual provides essential information for the installation, operation, maintenance, and troubleshooting of your Hansa Thermostatic Shower Mixer, model 58130101. Please read these instructions carefully before installation and use to ensure safe and efficient operation.

The Hansa 58130101 is a wall-mounted thermostatic shower mixer designed for domestic use. It features a chrome finish, anti-scald protection, and a water-saving button, ensuring comfort and safety during showering.

SAFETY INSTRUCTIONS

Always adhere to local plumbing and building codes during installation. Ensure water supply is turned off before beginning any installation or maintenance work.

- Do not attempt to disassemble or repair the unit beyond what is described in this manual.
- Ensure proper water pressure is maintained as specified in the technical data.
- The anti-scald protection is set at approximately 38 °C. Do not bypass this safety feature.
- Protect the product from freezing temperatures.

PRODUCT COMPONENTS

The Hansa Thermostatic Shower Mixer 58130101 includes the following main components:

- Thermostatic shower mixer body (chrome finish)
- Temperature control knob with 38°C safety stop
- Flow control knob with water-saving button
- S-connections with dirt strainers and non-return valves



Image: Front view of the Hansa Thermostatic Shower Mixer 58130101, showcasing its chrome finish and control knobs.

SETUP AND INSTALLATION

Installation should be performed by a qualified professional. Ensure all necessary tools and materials are available before starting.

Pre-Installation Checks:

- Verify that the hot and cold water supply lines are correctly marked.
- Flush the water lines thoroughly to remove any debris.
- Confirm the center distance of your wall connections matches the mixer's S-connections (150 +/- 15 mm).

Installation Steps:

1. Turn off the main water supply.
2. Install the S-connections into the wall outlets, ensuring they are level and at the correct center distance.
3. Attach the mixer body to the S-connections. Use appropriate sealing materials.
4. Tighten all connections securely, but do not overtighten.
5. Turn on the main water supply and check for leaks.
6. Calibrate the thermostatic element if necessary (refer to operating instructions for initial temperature setting).

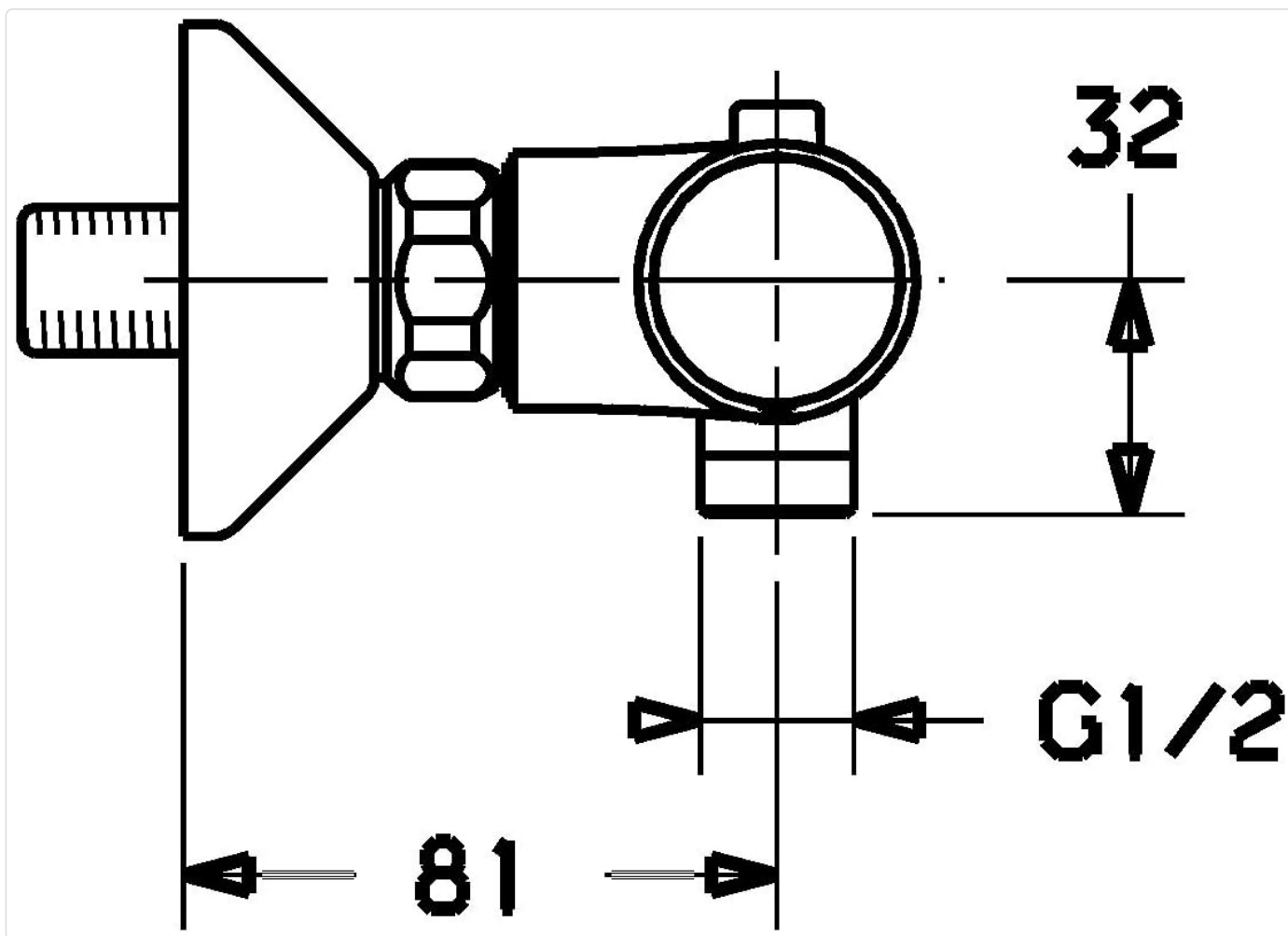


Image: Technical drawing showing key dimensions for installation, including G1/2 connections and spacing.

OPERATING INSTRUCTIONS

Temperature Control:

- The left knob controls the water temperature.
- Rotate the knob to adjust the temperature. The safety stop is set at 38 °C.
- To exceed 38 °C, press the safety button on the knob and continue rotating.

Flow Control:

- The right knob controls the water flow.
- Rotate the knob to increase or decrease the water flow.
- Press the water-saving button on the knob for reduced flow, contributing to water conservation.

MAINTENANCE

Regular cleaning and maintenance will ensure the longevity and optimal performance of your shower mixer.

Cleaning:

- Clean the chrome surfaces with a soft cloth and mild soap or a non-abrasive cleaner specifically designed for chrome.
- Do not use abrasive cleaners, scouring pads, or cleaners containing acid, alcohol, or ammonia, as these can damage the finish.

- Rinse thoroughly with clean water and dry with a soft cloth after cleaning.

Dirt Strainers:

- Periodically check and clean the dirt strainers located in the S-connections to prevent flow reduction.
- Turn off the water supply before removing and cleaning the strainers.

Thermal Disinfection:

This product is suitable for thermal disinfection according to DVGW W 551, which helps prevent bacterial growth. Consult a professional for this procedure.

TROUBLESHOOTING

Problem	Possible Cause	Solution
Reduced water flow	Clogged dirt strainers; Low water pressure	Clean dirt strainers; Check main water supply pressure
Temperature fluctuations	Incorrect thermostatic calibration; Uneven hot/cold water pressure	Recalibrate thermostatic element; Check water supply pressures
Water leaking from connections	Loose connections; Damaged seals	Tighten connections; Replace seals if damaged (consult professional)
Difficulty turning knobs	Mineral buildup; Internal component issue	Clean exterior; If persistent, professional service may be required

If the problem persists after attempting these solutions, please contact a qualified plumber or Hansa customer support.

TECHNICAL SPECIFICATIONS

Feature	Detail
Model Number	58130101
Brand	Hansa
Type	Thermostatic Shower Mixer
Installation Type	Wall-mounted
Material	Brass (body), Brass/Ceramic (handle)
Finish	Chrome
Connections	DN 15 (G 1/2)
Center Distance	150 +/- 15 mm
Max Pressure	3 Bar
Flow Rate	19 l/min (at 3 bar)
Safety Feature	Anti-scald protection at 38 °C

Feature	Detail
Dimensions (L x W x H)	50 x 30 x 15 cm (approximate product dimensions)
Weight	1.84 kg

WARRANTY INFORMATION

Hansa products are manufactured to high quality standards. For specific warranty terms and conditions, please refer to the warranty card included with your product or visit the official Hansa website. Keep your proof of purchase for any warranty claims.

CUSTOMER SUPPORT

For technical assistance, spare parts, or service inquiries, please contact your local Hansa distributor or a qualified plumbing professional. You can find contact information on the official Hansa website.

When contacting support, please have your product model number (58130101) and purchase details ready.