

Manuals+

[Q & A](#) | [Deep Search](#) | [Upload](#)

manuals.plus /

- › [Jacuzzi](#) /
- › [Jacuzzi SIGNATURE Acrylic Oval Whirlpool Drop-In Bathtub Instruction Manual](#)

Jacuzzi ND14959

Jacuzzi SIGNATURE Acrylic Oval Whirlpool Drop-In Bathtub

INSTRUCTION MANUAL

1. Introduction

This manual provides comprehensive instructions for the installation, operation, maintenance, and troubleshooting of your Jacuzzi SIGNATURE Acrylic Oval Whirlpool Drop-In Bathtub. Designed for ultimate relaxation and therapeutic benefits, this bathtub features a 6-jet massage system, an integrated heater, and a slip-resistant surface. Please read this manual thoroughly before installation and use to ensure safe and optimal performance.



Figure 1.1: Jacuzzi SIGNATURE Acrylic Oval Whirlpool Drop-In Bathtub.



Figure 1.2: Key features of the Jacuzzi Signature Bathtub.

2. Safety Information

WARNING: To reduce the risk of injury, do not permit children to use this product unless they are closely supervised at all times. Consult a physician before use if you have any medical conditions. This product contains chemicals known to the State of California to cause cancer and birth defects or other reproductive harm (Proposition 65 warning).

- Always ensure proper electrical grounding and installation by a qualified professional.
- Do not operate the whirlpool system without sufficient water level.
- Avoid using abrasive cleaners or harsh chemicals that may damage the acrylic surface.
- Ensure the bathtub is securely installed according to local building codes and the provided installation manual.

3. Setup and Installation

The Jacuzzi SIGNATURE Bathtub is designed for drop-in installation. For detailed step-by-step instructions, please

refer to the official Installation Manual PDF available [here](#).

Required Tools (Not Included):

- Screwdriver
- Tape Measure
- Pliers

Compatible Drain Kits (Sold Separately):

Drain Kits are required to complete installation. Compatible kits include:

- PG35959, PG35817, PG35824, PG35826, PG35827, PG35845
- HP55826, HP55827, HP55845
- LH33827, LH33826, LH33845



Figure 3.1: Compatible Drain Kits for Jacuzzi Signature Bathtubs.

4. Operating Instructions

Whirlpool Jet Massage with Heater:

Your Jacuzzi SIGNATURE Bathtub features six high-performance POINTPRO jets and a therapeutic heater. To activate the whirlpool system, ensure the bathtub is filled with water above the jets. The jets provide customizable intensity and directionality for optimal air and water therapy.

Your browser does not support the video tag.

Video 4.1: Demonstration of the Jacuzzi Whirlpool Bathing Experience, showcasing jet systems pushing high volumes of water mixed with air for a therapeutic massage.

Hydrotherapy Experiences:

Jacuzzi bathtubs offer various hydrotherapy experiences. The Signature products specifically offer soaking and whirlpool options:

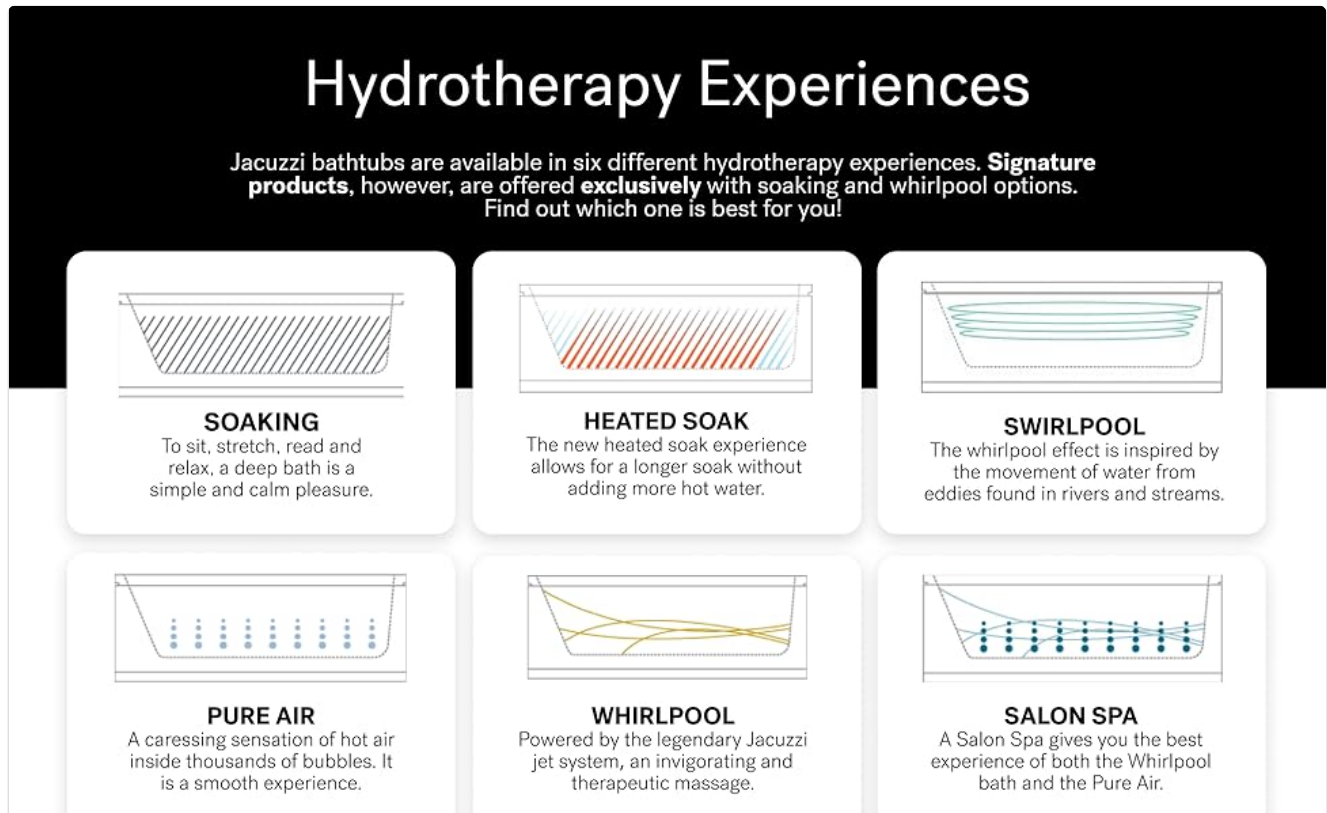


Figure 4.2: Overview of various hydrotherapy experiences available with Jacuzzi bathtubs.

- **Soaking:** A simple and calm pleasure to sit, stretch, read, and relax in a deep bath.
- **Heated Soak:** Allows for a longer soak without adding more hot water, maintaining a comfortable temperature.
- **Whirlpool:** An invigorating and therapeutic massage powered by the legendary Jacuzzi jet system.

5. Maintenance

The Jacuzzi SIGNATURE Bathtub is crafted from high-quality acrylic, ensuring easy maintenance and enduring beauty. Regular cleaning is recommended to preserve its finish and functionality.

Cleaning the Bathtub:

- Use a soft cloth or sponge with a non-abrasive, mild bathroom cleaner.
- Rinse thoroughly with clean water after cleaning.
- Avoid using abrasive pads, harsh chemicals, or solvents, as these can damage the acrylic surface.

Jet and Plumbing System Maintenance:

- Periodically run the whirlpool system with a specialized jet cleaner or a mixture of warm water and a small amount of dish soap to prevent buildup.
- Follow the instructions on the jet cleaner product for best results.

6. Troubleshooting

If you encounter issues with your Jacuzzi SIGNATURE Bathtub, please review the following common troubleshooting tips. For more complex problems, it is recommended to contact a qualified technician or Jacuzzi customer support.

Common Issues:

- **No Power to the Unit:**
Check the circuit breaker. Ensure the GFCI (Ground Fault Circuit Interrupter) is not tripped. Verify all electrical connections are secure.
- **Jets Not Functioning:**
Ensure the water level is above the jets. Check for any obstructions in the jet nozzles. Verify the pump is receiving power.
- **Water Not Heating:**
Confirm the heater is properly connected and receiving power. Ensure the water level is adequate for heater operation.
- **Unusual Noises:**
Inspect the pump and motor for any loose components or debris. Ensure the bathtub is level and securely installed to prevent vibrations.

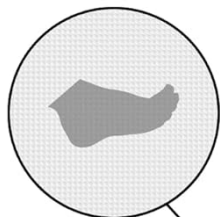
7. Specifications

The following table details the specifications for the Jacuzzi SIGNATURE Acrylic Oval Whirlpool Drop-In Bathtub (Model ND14959).

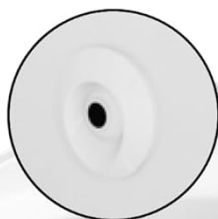
Oval in Rectangle Drop in

72" x 42"
DROP IN WHIRLPOOL

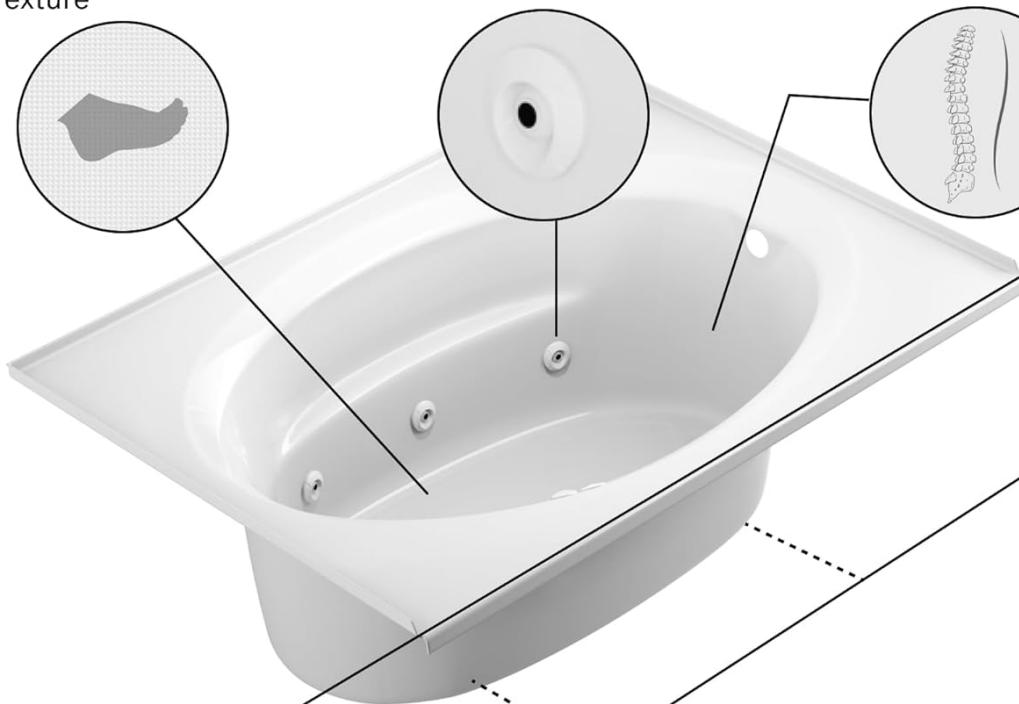
Slip Resistant
Texture



POINTPRO - 6 jets



Ergonomic Lumbar Support



21"



Jacuzzi

White ●

Figure 7.1: Dimensions and key features of the Jacuzzi Signature Bathtub.

Specification Sheet

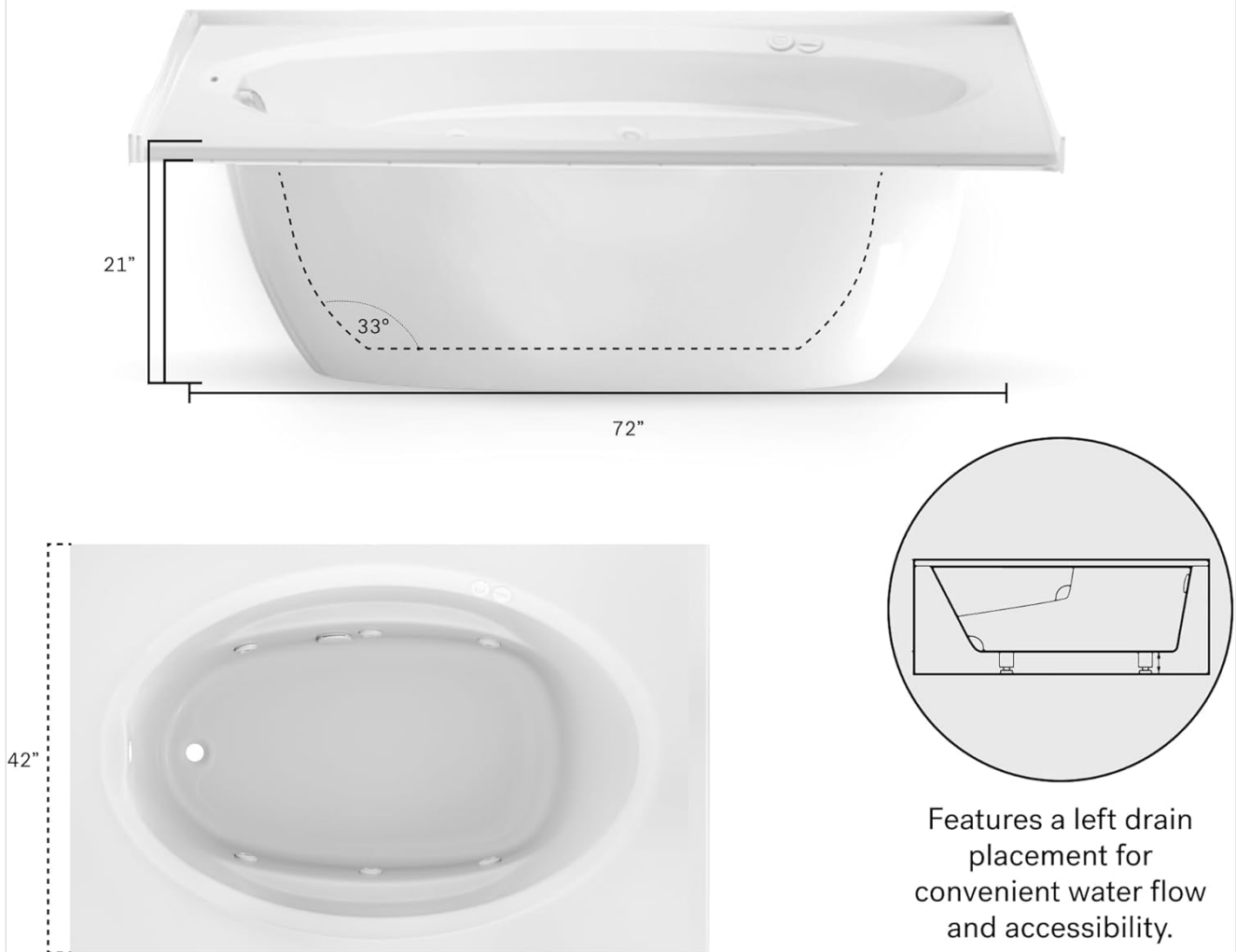


Figure 7.2: Detailed specification sheet with dimensions.

Signature™ Collection Oval in Rectangle Drop-in Soaker and Whirlpool Bathtubs

Letter	Description	SOAKER MODELS		WHIRLPOOL MODELS		WHIRLPOOL MODELS	
		J4D6042B	J4D7242B	J4D6042W	J4D7242W	Model with components	GFCI Outlet (60Hz)
-	Drain/Motor Location	LH / RH Drain		LH / RH Drain & Right or Left Side Motor		Each component requires a separate, dedicated GFCI protected circuit	
-	Cutout	58" x 40" (1473 mm x 1016 mm)	70" x 40" (1778 mm x 1016 mm)	58" x 40" (1473 mm x 1016 mm)	70" x 40" (1778 mm x 1016 mm)		
-	Total Weight	863 lbs (391 kg)	966 lbs (438 kg)	879 lbs (399 kg)	982 lbs (445 kg)		
-	Floor Loading	49.3 lb/ft ² (241 kg/m ²)	46 lb/ft ² (255 kg/m ²)	50.2 lb/ft ² (245 kg/m ²)	46.7 lb/ft ² (228 kg/m ²)		
-	Operating Gallons (Max)	66 gallons (250 liters)	78 gallons (295 liters)	66 gallons (250 liters)	78 gallons (295 liters)		
-	Product Weight	63 lbs (29 kg)	66 lbs (30 kg)	79 lbs (36 kg)	82 lbs (37 kg)		
-	Soaking Depth	15" (381 mm)		15" (381 mm)			
L	Outer Length	60" (1524 mm)	72" (1829 mm)	60" (1524 mm)	72" (1829 mm)		
W	Outer Width	42" (1067 mm)		42" (1067 mm)			
H	Overall Height	21" (533 mm)		21" (533 mm)			
A	Overflow Height	16.25" (413 mm)		16.25" (413 mm)			
B	Long Edge to Drain Center	10.40" (264 mm)	11.40" (290 mm)	10.40" (264 mm)	11.40" (290 mm)		
C	Short Edge to Drain Center	21" (533 mm)		21" (533 mm)			
D	Drain Shoe Length	8.40" (213 mm)	9.40" (239 mm)	8.40" (213 mm)	9.40" (239 mm)		
E	Deck/Flange Height	2" (51 mm)		2" (51 mm)			
F	Deck Width	3" (76 mm)		3" (76 mm)			
G	Service Access Dimensions	N/A		12" x 18" (305 mm x 457 mm)			
I	Floor Cutout for Drain	12" x 4" (305 mm x 102 mm)					
J	Interior Dimensions (bottom of bath) J(L) x J(W)	42" x 24" (1067 mm x 610 mm)	52.5" x 22" (1334 mm x 559 mm)	42" x 24" (1067 mm x 610 mm)	52.5" x 22" (1334 mm x 559 mm)		

Motor/Pump	120V 15A
Heater (if available)	120V 15A

KEY DIMENSIONS* [NOTE: The overall dimensions are nominal with a tolerance of +0 and -.25" (6mm).]

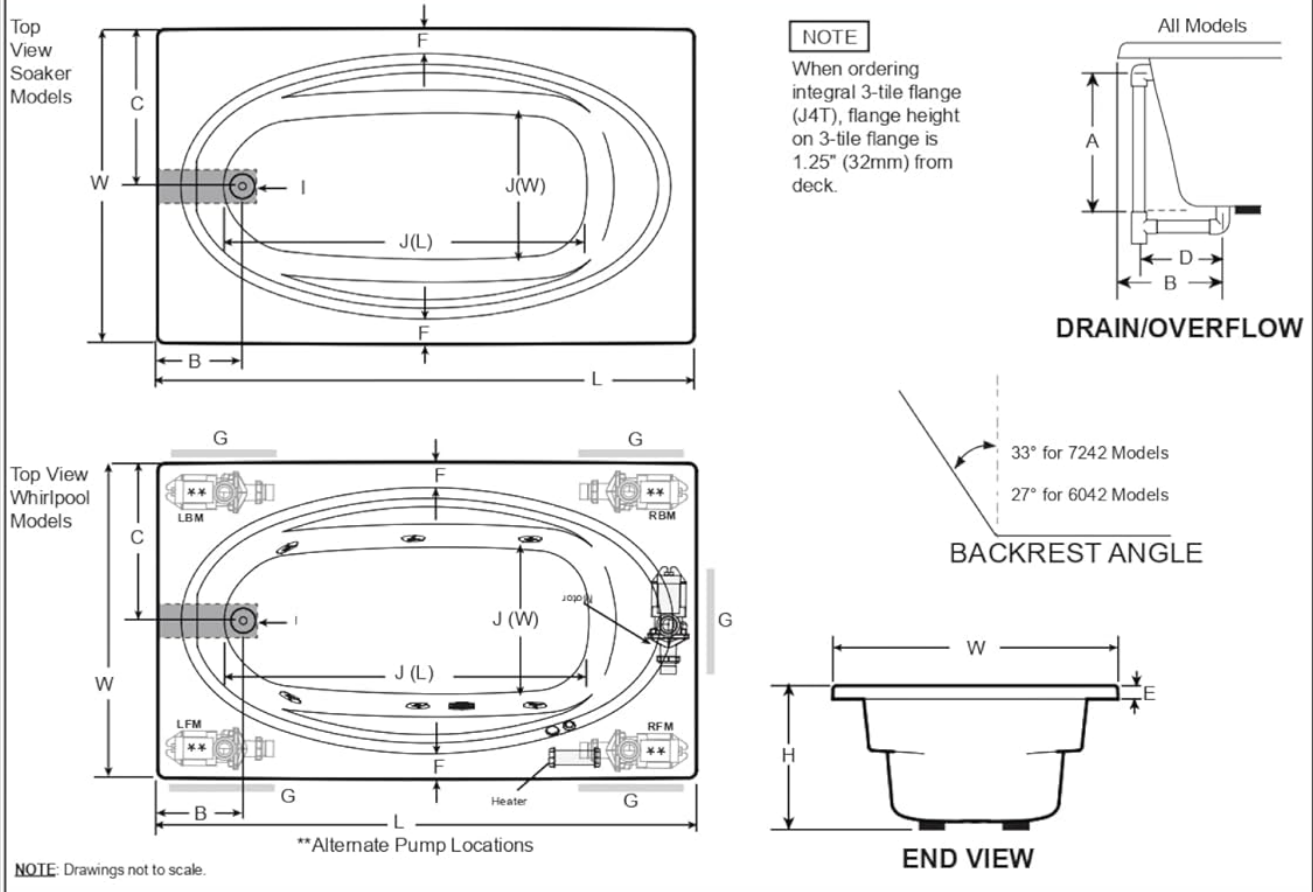


Figure 7.3: Technical specifications and diagrams for Jacuzzi Signature bathtubs.

Specification	Detail
Model Number	ND14959
Color	White

Specification	Detail
Material	Acrylic
Product Dimensions (L x W x H)	72" x 42" x 21"
Item Weight	99 Pounds
Installation Type	Drop-In
Drain Placement	Left Drain
Pump Placement	Right Front Mount (RFM)
Jets	6 POINTPRO jets
Heater	Integrated Therapeutic Heater
Special Features	Slip-Resistant Bottom, Ergonomic Lumbar Support
UPC	731352613272
Country of Origin	USA

8. Warranty and Support

Warranty Information:

Jacuzzi stands by its products with an industry-leading quality commitment. For specific warranty details and terms, please refer to the documentation included with your purchase or visit the official Jacuzzi website.

Customer Support:

For any questions, technical assistance, or service requests, please contact Jacuzzi Group customer support. You can also find additional resources and FAQs on the [Jacuzzi Store on Amazon](#) or refer to the full [Installation Manual \(PDF\)](#).