

SANIFLO 089

SANIFLO Sanicubic 1 Simplex Grinder System 120V Instruction Manual

1. PRODUCT OVERVIEW

The SANIFLO Sanicubic 1 Simplex Grinder System is a robust, heavy-duty above-ground sewage pump designed for efficient wastewater management from multiple fixtures in residential and commercial settings. This system eliminates the need for extensive concrete breaking, offering a convenient and reliable solution for various plumbing needs.

- **Robust Commercial Waste Solution:** The Sanicubic 1 grinder effectively handles waste from multiple fixtures with its powerful 1 HP motor. It manages black and gray water discharge up to 36 feet vertically and 328 feet horizontally, making it suitable for diverse applications.
- **Durable & Efficient Grinding:** Equipped with a high-performance grinder and a stainless steel blade, this sewage system processes up to 50 GPM, efficiently managing waste from bathrooms and kitchens with a 45-foot shut-off head.
- **Advanced Electrical Features:** Operating on a single 120V, 60Hz motor, the unit maintains a quiet 68 dB(A) noise level. It includes a capacitor rated at 4.5 mrad, ensuring consistent and reliable performance.
- **Easy Installation - No Digging:** This SFA Saniflo Sewage Pump offers flexible setup without requiring a pit. It features four 1-1/2" or 4" inlets, an external control panel, and an IP68 enclosure for durability and easy maintenance in demanding conditions.
- **Sustainability:** SFA Saniflo provides eco-friendly innovation with local U.S. support, offering phone assistance and training for professionals nationwide, ensuring reliable service and sustainable wastewater management.

2. SETUP AND INSTALLATION

The Sanicubic 1 is designed for straightforward installation, minimizing disruption and labor. Follow these steps for proper setup:

1. **Secure the Unit:** Place the Sanicubic 1 on a stable, level surface and secure it to the floor using the molded mounting tabs and appropriate fasteners.
2. **Connect Drain Pipes:** Connect your drain pipes to the unit. The system accommodates 1-1/2" or 4" rigid drain pipes through either of the two side inlets or the two top inlets. Ensure all connections are sealed properly using the provided rubber couplings and clamps.
3. **Install Isolating Valves:** Install appropriate isolating valves on the drain lines as required by local plumbing codes.
4. **Connect Discharge Pipe:** Connect the 1-1/2" rigid discharge pipe to the central discharge outlet. This system can discharge wastewater up to 36 feet vertically and up to 328 feet horizontally.
5. **Connect Vent Line:** Connect a 1-1/2" vent line to the designated vent connection on the top of the enclosure. Run the electrical vent tube upwards. All plumbing codes require connection to a vent system.
6. **Electrical Connection:** Connect the power cord to a 110-120V power supply with a Ground Fault Circuit Interrupter (GFCI) receptacle.
7. **External Alarm Box:** Use the pre-wired cable to connect the external alarm box to the unit. Position the alarm box in a convenient location where it can be easily monitored.



Image: The Sanicubic 1 Simplex Grinder System shown in both above-ground and below-ground installation configurations, highlighting its versatile placement options.

SPECIFICATIONS

- 1 Discharges waste through a 1-1/2" rigid pipe. Non-return valve included on the internal discharge pipe.
- 2 Designed with a 1-1/2" vent connection on the top of enclosure. All plumbing codes require connection to a vent system.
- 3 IP68 rated for possible submergence which eliminates any potential water damage to internal components.
- 4 Discharges wastewater from several toilets, sinks, bath/showers, urinals, and washing machines via four 1-1/2" or 4" inlets.



 SFA^{USA}
Saniflo

Image: A detailed diagram of the Sanicubic 1, illustrating its key specifications including the 1-1/2" rigid discharge pipe (1), 1-1/2" vent connection (2), IP68 rating (3), and four 1-1/2" or 4" inlets (4).

Your browser does not support the video tag.

Video: This video provides a comprehensive guide to the installation process of the Sanicubic 1 Simplex Grinder System, demonstrating how to connect drain pipes, discharge lines, vent lines, and electrical components.

3. OPERATING INSTRUCTIONS

The Sanicubic 1 operates automatically once properly installed and connected to power. Here's how the system functions:

1. **Wastewater Inflow:** Wastewater from connected fixtures (e.g., toilets, sinks, showers, washing machines) drains into the unit through the side or top inlets.
2. **Level Detection:** As the water level inside the pump rises, it creates pressure in the level pressure dip tube. This pressure activates a microswitch.
3. **Grinding and Pumping:** Upon activation, the powerful 1 HP motor engages the stainless steel grinder blades, which macerate solid waste into a fine slurry. Simultaneously, the impeller pumps the liquefied waste through the internal 1-1/2" discharge pipe.

4. **Automatic Shut-off:** Once the water level drops to a predetermined minimum, the microswitch deactivates, and the pump turns off.
5. **Non-Return Valve:** A built-in non-return valve prevents the discharged wastewater from flowing back into the unit, ensuring hygienic and efficient operation.

CONNECTIONS



APPLICATIONS

RESIDENTIAL



Image: This image illustrates the various fixtures that can be connected to the Sanicubic 1, including toilets, sinks, showers, bar sinks, bathtubs, laundry sinks, dishwashers, and washing machines, suitable for residential applications.

Your browser does not support the video tag.

Video: This video demonstrates the internal operation of the Sanicubic 1, showing how wastewater enters, is macerated by the grinder blades, and then discharged by the impeller, with the non-return valve preventing backflow.

4. MAINTENANCE

Regular maintenance ensures the longevity and optimal performance of your Sanicubic 1 system. While designed for durability, periodic checks are recommended.

- **Regular Inspection:** Periodically inspect the unit and all connections for any signs of leaks, damage, or unusual noises.
- **Cleaning:** If necessary, the unit can be accessed for cleaning. Always disconnect power before

attempting any cleaning or maintenance.

- **Avoid Non-Flushable Items:** To prevent clogs and premature failure, avoid flushing items such as condoms, tampons, baby wipes, dental floss, or other feminine products. The grinder is designed for human waste and toilet paper only.
- **External Control Panel Check:** Monitor the external control panel for any visual alarms (LED indicators) that may signal a power failure or high water level.

5. TROUBLESHOOTING

If you encounter issues with your Sanicubic 1, refer to the following common troubleshooting tips. For persistent problems, contact customer support.

- **Unit Not Pumping / Motor Stops Working:**
 - Check the power supply to ensure the unit is receiving electricity. Verify the GFCI receptacle has not tripped.
 - Inspect for blockages in the grinder or discharge pipe. Non-flushable items can cause clogs.
 - Check the external control panel for any error indicators. Use the manual override button to test the motor if safe to do so.
- **Alarm Constantly Goes Off:**
 - A continuous alarm typically indicates a high water level. This could be due to a blockage, a pump malfunction, or a power interruption.
 - Ensure the discharge pipe is not obstructed.
 - Verify the level pressure dip tube is clear and functioning correctly.
- **Leaks:**
 - Check all pipe connections, especially those made with rubber couplings and clamps, to ensure they are tight and secure.
 - Inspect the unit's enclosure for any cracks or damage.

If troubleshooting steps do not resolve the issue, please contact SANIFLO customer support for assistance.

6. SPECIFICATIONS

Feature	Detail
Brand	SANIFLO
Model Number	089
Style	Simplex Grinder System - 120v
Product Dimensions	22.38"L x 11.75"W x 11.75"H

Item Weight	20 Pounds
Power Source	Battery Powered (Note: This is likely an error in the source data, as the product description mentions 120V motor. It should be mains powered.)
Voltage	120 Volts
Maximum Flow Rate	50 Gallons Per Minute
Maximum Lifting Height	36 Feet
Material	Plastic
Color	White
Included Components	SANICUBIC 1 (IP) 0V SIMPLEX GRINDER SYSTEM. TO BE USED WITH MULTIPLE FIXTURES.

DIMENSIONS

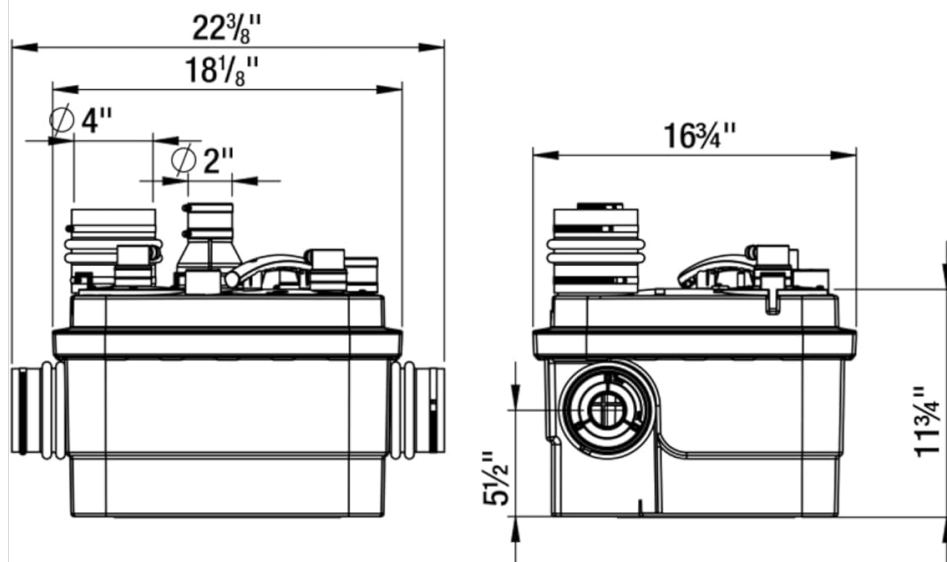


Image: A technical drawing displaying the precise dimensions of the Sanicubic 1 Simplex Grinder System, including length, width, and height measurements for installation planning.

7. WARRANTY AND SUPPORT

The SANIFLO Sanicubic 1 Simplex Grinder System comes with a comprehensive warranty and dedicated customer support.

- **Warranty:** This product is covered by a 3-year warranty. Please retain your proof of purchase for warranty claims.
- **Customer Support:** For technical assistance, troubleshooting, or warranty inquiries, please contact SANIFLO customer service.

Contact Information:

Phone: 1-800-571-8191

Website: www.saniflo.com