

[Manuals.plus](#) /

› [RAB Lighting](#) /

› RAB Lighting FFLED39 Future Flood LED Light User Manual

RAB Lighting FFLED39

RAB Lighting FFLED39 Future Flood LED Light User Manual

Model: FFLED39

1. PRODUCT OVERVIEW

The RAB Lighting FFLED39 Future Flood LED Light is a high-performance, energy-efficient outdoor floodlight designed for various applications. This hardwired fixture features a durable bronze finish and provides cool white illumination.



Figure 1: RAB Lighting FFLED39 Future Flood LED Light

Key Features:

- **Power:** 39-watt LED
- **Color Temperature:** 5100K Cool White
- **Lifespan:** 100,000 hours based on LM-80 tests
- **LEDs:** Three multi-chip 13-watt high-performance LEDs
- **Optics:** NEMA type 7H x 6V with Air-flow technology heatsink
- **Reflector:** Semi-specular anodized aluminum
- **Gaskets:** High-temperature silicone
- **Finish:** Bronze chip and fade-resistant polyester powder coat
- **Voltage:** 120-volt to 277-volt operation

2. SAFETY INFORMATION

Read all instructions carefully before installation and operation. Failure to follow these instructions may result in electric shock, fire, or other hazards. Keep this manual for future reference.

- **Electrical Safety:** Installation must be performed by a qualified electrician in accordance with all

national and local electrical codes. Ensure power is disconnected at the circuit breaker before installation or servicing.

- **Grounding:** The fixture must be properly grounded to prevent potential electric shock.
- **Mounting:** Ensure the mounting surface is structurally sound and capable of supporting the fixture's weight (approximately 10.23 lbs).
- **Operating Temperature:** Do not operate the fixture outside its specified temperature range.
- **LEDs:** Do not stare directly into the LED light source when the fixture is operating, as this may cause eye damage.

3. INSTALLATION

This floodlight is designed for wall mounting and requires hardwired installation. Professional installation is recommended.

Tools Required:

- Screwdriver (Phillips and flathead)
- Wire strippers
- Pliers
- Drill (if mounting surface requires pilot holes)
- Adjustable wrench

Mounting Options:

The FFLED39 supports various mounting options. The standard fixture comes with a wall mount. Optional accessories may include slipfitter mounts or other specialized brackets.



Figure 2: Example of a Slipfitter Mount (optional accessory)

Installation Steps:

1. **Disconnect Power:** Turn off power at the circuit breaker before beginning installation. Verify power is off using a voltage tester.
2. **Prepare Mounting Surface:** Securely attach the mounting bracket to the desired wall location. Ensure the bracket is level and firmly fastened.
3. **Wire Connections:**
 - Connect the black wire from the fixture to the hot (L) wire from the power supply.
 - Connect the white wire from the fixture to the neutral (N) wire from the power supply.

- Connect the green or bare copper wire from the fixture to the ground wire from the power supply.
 - Use appropriate wire connectors and ensure all connections are secure.
4. **Mount Fixture:** Attach the FFLED39 fixture to the mounting bracket. Secure it with the provided screws or bolts.
 5. **Adjust Aim:** Loosen the adjustment screws on the fixture to aim the light as desired. Tighten the screws firmly once the desired angle is achieved.
 6. **Restore Power:** Turn on power at the circuit breaker. Test the fixture for proper operation.

4. OPERATION

The RAB Lighting FFLED39 is a hardwired floodlight. Its operation is typically controlled by an external switch or a photocell (if installed).

Standard Operation:

- Once installed and wired, the fixture will illuminate when power is supplied via the connected wall switch or control system.
- Ensure the power source is within the specified 120-277V range.

Photocell Control (Optional):

If a photocell is integrated or installed with the fixture, the light will automatically turn on at dusk and off at dawn, based on ambient light levels.

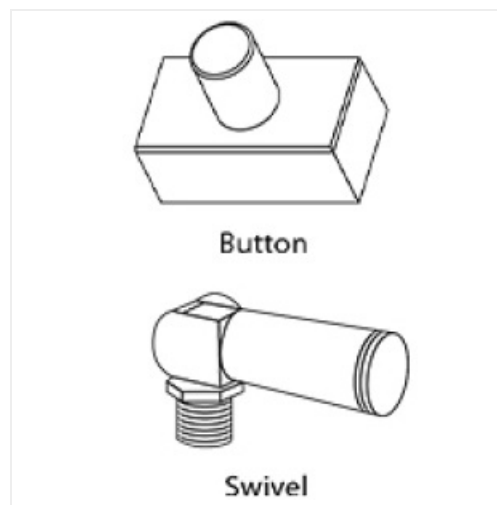


Figure 3: Example of a Photocell (optional accessory)

5. MAINTENANCE

The FFLED39 LED floodlight is designed for minimal maintenance due to its long-life LED components and durable construction.

Cleaning:

- **Exterior:** Periodically clean the exterior of the fixture with a soft, damp cloth to remove dirt, dust, and debris. Do not use abrasive cleaners or solvents.
- **Lens:** Gently wipe the lens with a clean, soft cloth to ensure maximum light output.

Inspection:

- Periodically inspect the fixture for any signs of damage, loose connections, or wear.
- Ensure all mounting hardware remains tight and secure.
- If any damage is observed, disconnect power and contact a qualified electrician for repair or replacement.

6. TROUBLESHOOTING

If you experience issues with your FFLED39 floodlight, refer to the following troubleshooting guide:

Problem	Possible Cause	Solution
Light does not turn on	No power to the fixture Loose wiring connection Faulty switch or circuit breaker Photocell malfunction (if applicable)	Check circuit breaker and wall switch. Verify all wire connections are secure (ensure power is off first). Test switch/breaker; replace if faulty. Inspect photocell for obstructions or damage; replace if necessary.
Light flickers or dims	Unstable power supply Loose wiring Incompatible dimmer (if used)	Consult an electrician to check power supply stability. Check and tighten all wiring connections. Ensure any dimmer switch used is compatible with LED fixtures.
Light stays on during the day	Photocell obstructed or faulty Incorrect wiring of photocell	Clear any obstructions from the photocell. Verify photocell wiring according to its instructions. Replace if faulty.

If the problem persists after following these steps, contact RAB Lighting customer support or a qualified electrician.

7. SPECIFICATIONS

Detailed technical specifications for the RAB Lighting FFLED39 Future Flood LED Light:

Specification	Value
Model Number	FFLED39
Brand	RAB Lighting
Wattage	39 watts
Voltage	120-277 Volts
Light Source	LED
Light Color	Cool White

Specification	Value
Color Temperature	5100 Kelvin
Brightness	15000 Lumens
Indoor/Outdoor Usage	Outdoor
Mounting Type	Wall Mount
Material	Aluminum, Plastic
Finish Type	Bronze
Item Dimensions (L x W x H)	11"L x 7.5"W x 10"H
Item Weight	10.23 Pounds
Water Resistance Level	Water Resistant
Lifespan	100,000 hours

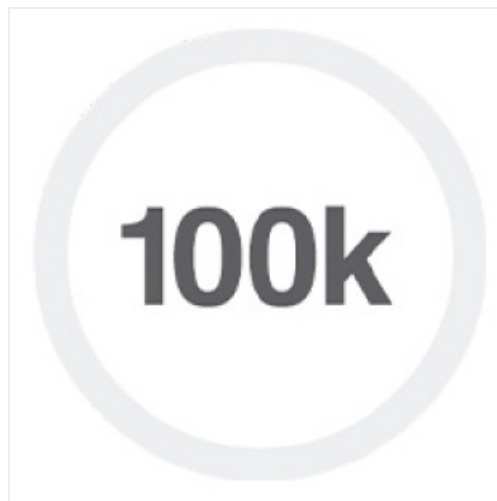


Figure 4: Indication of 100,000-hour LED lifespan

8. WARRANTY AND SUPPORT

Manufacturer's Warranty:

The RAB Lighting FFLED39 Future Flood LED Light is covered by a **1-year manufacturer's warranty** from the date of purchase. This warranty covers defects in materials and workmanship under normal use and service.

The warranty does not cover damage resulting from improper installation, accident, misuse, abuse, negligence, or unauthorized modification or repair.

Customer Support:

For technical assistance, warranty claims, or further information, please contact RAB Lighting customer support. Refer to the official RAB Lighting website for current contact details.

