



Manuals.plus /

› Bosch /

› Bosch MS1234 Miter Saw Length Stop Instruction Manual

Bosch MS1234

Bosch MS1234 Miter Saw Length Stop Instruction Manual

Model: MS1234

1. INTRODUCTION

The Bosch MS1234 Miter Saw Length Stop Kit is an accessory designed to enhance the precision and efficiency of your Bosch miter saw. This kit is specifically engineered to work seamlessly with Bosch miter saws that feature adjustable work supports, allowing for quick and accurate sizing of materials for repetitive cuts.

This manual provides detailed instructions for the safe and proper installation, operation, and maintenance of your MS1234 Length Stop.

2. SAFETY INFORMATION

Always prioritize safety when working with power tools and accessories. Read and understand all instructions in this manual and the instruction manual for your miter saw before installing or operating the length stop.

- **Disconnect Power:** Always disconnect the miter saw from the power source before installing, adjusting, or performing maintenance on the length stop.
- **Secure Attachment:** Ensure the length stop is securely attached to the miter saw's work support as described in the setup section. A loose stop can lead to inaccurate cuts or injury.
- **Material Support:** Always ensure the workpiece is properly supported on the miter saw's table and work supports. The length stop is for setting length, not for primary material support.
- **Clear Work Area:** Keep your work area clean and well-lit. Cluttered or dark areas invite accidents.
- **Personal Protective Equipment (PPE):** Always wear appropriate PPE, including safety glasses, hearing protection, and gloves, when operating a miter saw.
- **Compatibility:** This length stop is designed for specific Bosch miter saws. Verify compatibility before use.

3. PACKAGE CONTENTS

Carefully unpack the Bosch MS1234 Miter Saw Length Stop Kit and verify that all components are present and undamaged.



MS1234
1600Z0001V



BOSCH

Length Stop Kit

Juego de tope de longitud

Kit de butée de longueur



- For repetitive cuts of the same length
Para realizar cortes repetitivos de la misma longitud
Pour faire des coupes répétitives à une longueur donnée
- For use with all Bosch Brand Miter Saws
Para utilizarse con todas las sierras para cortar ingletes de la marca Bosch
Pour emploi avec toutes les scies à onglet de la marque Bosch





The front of the product packaging for the Bosch MS1234 Length Stop Kit, showing the Bosch logo, product name, and key features in multiple languages.

MS1234
1600Z0001V

- Attaches to either end of saw
Se acopla a cualquiera de los extremos de la sierra
S'attache à l'une ou l'autre extrémité de la scie

⚠ WARNING Read and understand the manual for the use of this accessory with the tool.

⚠ ADVERTENCIA Lea y entienda el manual para el uso de este accesorio con la herramienta.

⚠ AVERTISSEMENT Lire et comprendre le manuel pour utiliser cet accessoire avec l'outil.

Robert Bosch Tool Corporation
Mt. Prospect, IL 60056-2230

Importado en México por:
Robert Bosch S.A. de C.V.,
Calle Robert Bosch No. 405,
Zona Industrial,
Toluca, Edo. de México,
C.P. 50070, Tel. (722) 2792300

Exportado por:
Robert Bosch Tool Corporation
Mt. Prospect, IL
60056-2230, E.U.A.



030





The back of the product packaging, displaying warnings, manufacturer information, and the UPC barcode (000346434187).

- 1x Length Stop Plate (Red metal component)
- 1x Adjustment Knob (Blue with threaded shaft)
- 2x Mounting Screws (Black hex-head screws)



A complete view of all parts included in the MS1234 kit, consisting of the red length stop, the blue knob, and two mounting screws, ready for assembly.

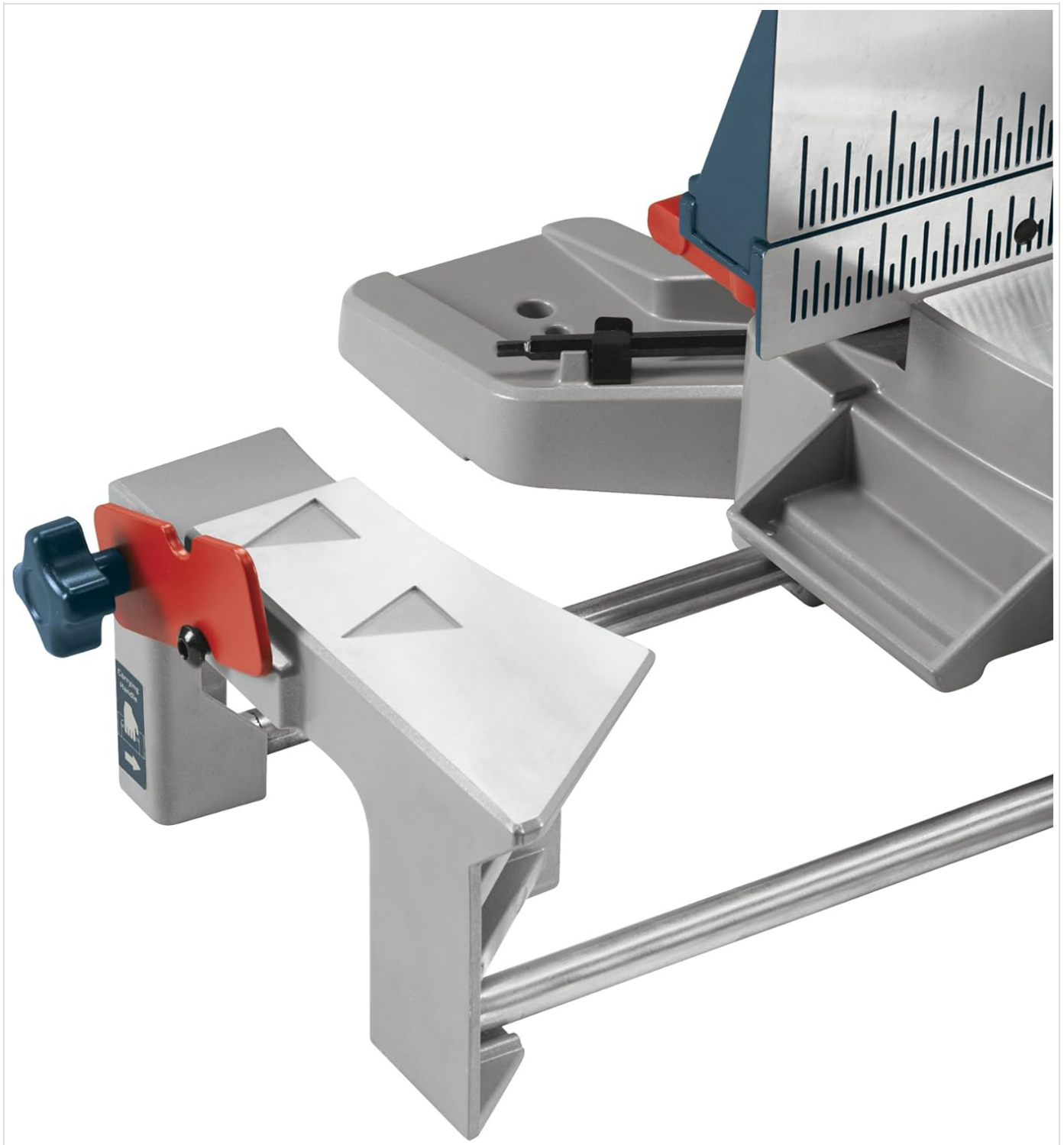
4. SETUP AND INSTALLATION

The MS1234 Length Stop is designed for quick and easy attachment to your compatible Bosch miter saw's work support.

Installation Steps:

1. **Ensure Saw is Off and Unplugged:** Before beginning installation, ensure your miter saw is turned off and disconnected from the power supply to prevent accidental startup.
2. **Identify Mounting Location:** Locate the pre-drilled holes or slots on the adjustable work support of your Bosch miter saw. The length stop can be attached to either end of the saw's work support.
3. **Position the Length Stop:** Place the red length stop plate onto the work support, aligning the holes on the plate with the mounting holes on the work support.
4. **Insert Mounting Screws:** Insert the two black mounting screws through the holes in the length stop plate and into the corresponding holes on the work support.
5. **Attach Adjustment Knob:** Thread the blue adjustment knob into the central threaded hole on the length stop plate.

6. **Secure the Stop:** Tighten the two mounting screws firmly to secure the length stop to the work support. Do not overtighten.
7. **Adjust Knob:** The adjustment knob allows for fine-tuning the position of the stop. Turn clockwise to extend the stop further from the fence, and counter-clockwise to retract it.



This image displays the Bosch MS1234 Miter Saw Length Stop securely mounted on the adjustable work support of a miter saw, demonstrating its intended use for precise material sizing.



A top-down perspective of the MS1234 Length Stop, highlighting its red body, blue adjustment knob, and two black mounting screws.



This image shows the individual components of the MS1234 Length Stop: the red metal stop plate, the blue adjustment knob with its threaded shaft, and two black hex-head screws.

5. OPERATING INSTRUCTIONS

The MS1234 Length Stop is designed to provide a consistent reference point for cutting multiple pieces of material to the same length.

Using the Length Stop:

- Set Desired Length:** With the length stop installed, slide your workpiece against the miter saw fence and the length stop. Adjust the position of the work support and/or the length stop's knob until the desired cut length is achieved.
- Secure Workpiece:** Ensure the workpiece is firmly held against the fence and the length stop before making a cut.
- Make the Cut:** Operate your miter saw according to its instruction manual to make the cut.
- Repeat Cuts:** For subsequent pieces of the same length, simply place the material against the length stop and fence, and make the cut. This ensures consistent dimensions across multiple pieces.

Note: The effectiveness of the length stop is maximized when cutting pieces within the range of the miter saw's work support extension. For very short pieces, ensure the stop provides adequate support without interfering with the blade path.

6. MAINTENANCE

Proper maintenance will ensure the longevity and continued accuracy of your Bosch MS1234 Length Stop.

- Cleaning:** After each use, wipe down the length stop with a clean, dry cloth to remove sawdust and debris. For stubborn residue, a mild cleaner can be used, but avoid harsh chemicals that may damage the finish.
- Inspection:** Regularly inspect the length stop for any signs of wear, damage, or bending. Check that the mounting screws and adjustment knob remain tight.
- Lubrication:** The threaded shaft of the adjustment knob may benefit from a light application of dry lubricant periodically to ensure smooth operation.
- Storage:** Store the length stop in a dry environment, away from excessive moisture or extreme temperatures, when not in use.

7. TROUBLESHOOTING

If you encounter issues with your MS1234 Length Stop, refer to the following common problems and solutions:

Problem	Possible Cause	Solution
Length stop is loose or wobbly.	Mounting screws are not tight.	Tighten the two black mounting screws securely.
Cannot attach the length stop to my miter saw.	Incompatible miter saw model; incorrect alignment.	Verify your miter saw model is listed as compatible (e.g., Bosch GCM12SD, 5312, 5412(L), 4310, 4410(L), CM12, 4212(L), 4405, CM8S). Ensure holes are correctly aligned.
Adjustment knob is stiff or difficult to turn.	Accumulation of dust/debris; lack of lubrication.	Clean the threaded shaft and apply a small amount of dry lubricant.

8. SPECIFICATIONS

Attribute	Value
Brand	Bosch
Model Number	MS1234
Item Weight	2.4 ounces
Product Dimensions	2.5"L x 2.5"W x 1.25"H
Color	Silver (with red and blue components)
Material	Alloy Steel (Blade Material listed, but for the stop itself, it's metal/plastic)
Compatibility	Bosch GCM12SD, 5312, 5412(L), 4310, 4410(L), CM12, 4212(L), 4405, CM8S miter saws

9. WARRANTY AND SUPPORT

The Bosch MS1234 Miter Saw Length Stop is manufactured to high-quality standards and is designed for years of high performance. Bosch offers a limited warranty on its products.

For detailed warranty information, service, or technical support, please refer to the warranty card included with your product or visit the official Bosch website. You can also visit the [Bosch Store on Amazon](#) for more product information and support resources.