

## Manuals+

[Q & A](#) | [Deep Search](#) | [Upload](#)

manuals.plus /

› [South Shore](#) /

› [South Shore Fynn 6-Drawer Dresser \(Gray Oak\) Instruction Manual](#)

## South Shore Fynn 6-Drawer Dresser

# South Shore Fynn 6-Drawer Dresser (Gray Oak) Instruction Manual

Model: Fynn 6-Drawer Dresser (3237027)

## INTRODUCTION

Thank you for choosing the South Shore Fynn 6-Drawer Dresser. This contemporary dresser in Gray Oak offers a unique look with its clean lines and trendy metal drawer pulls. Designed for practical storage, it features six spacious drawers that operate smoothly on metal slides. This manual provides essential information for assembly, safe use, maintenance, and support for your new furniture piece.

## SAFETY INFORMATION

- **Proposition 65 Warning:** This product may contain chemicals known to the State of California to cause cancer and birth defects or other reproductive harm.
- **Anti-Tip Device:** For your safety, it is crucial to attach the dresser to the wall using the provided anti-tip kit. This prevents accidental tipping, especially in households with children. Follow the instructions carefully for secure installation.
- **Weight Limit:** Do not exceed the maximum recommended load of 75 pounds on the top surface.
- **Assembly:** Always assemble the product on a soft, clean surface to prevent scratches. Ensure all parts are securely fastened before use.

## PACKAGE CONTENTS

---

Your South Shore Fynn 6-Drawer Dresser package includes all necessary components for assembly. Please verify that all parts are present and undamaged before beginning assembly.

- All wooden panels for the dresser frame and drawers.
- Six metal drawer pulls.
- Metal drawer slides for smooth operation.
- Assembly hardware (screws, dowels, etc.).
- Anti-tip kit for wall attachment.
- Step-by-step assembly guide.

## SETUP AND ASSEMBLY

---

Assembly is required for this dresser. We recommend two people for assembly to ensure ease and safety. A detailed step-by-step guide is provided with your furniture pieces.

### Assembly Overview

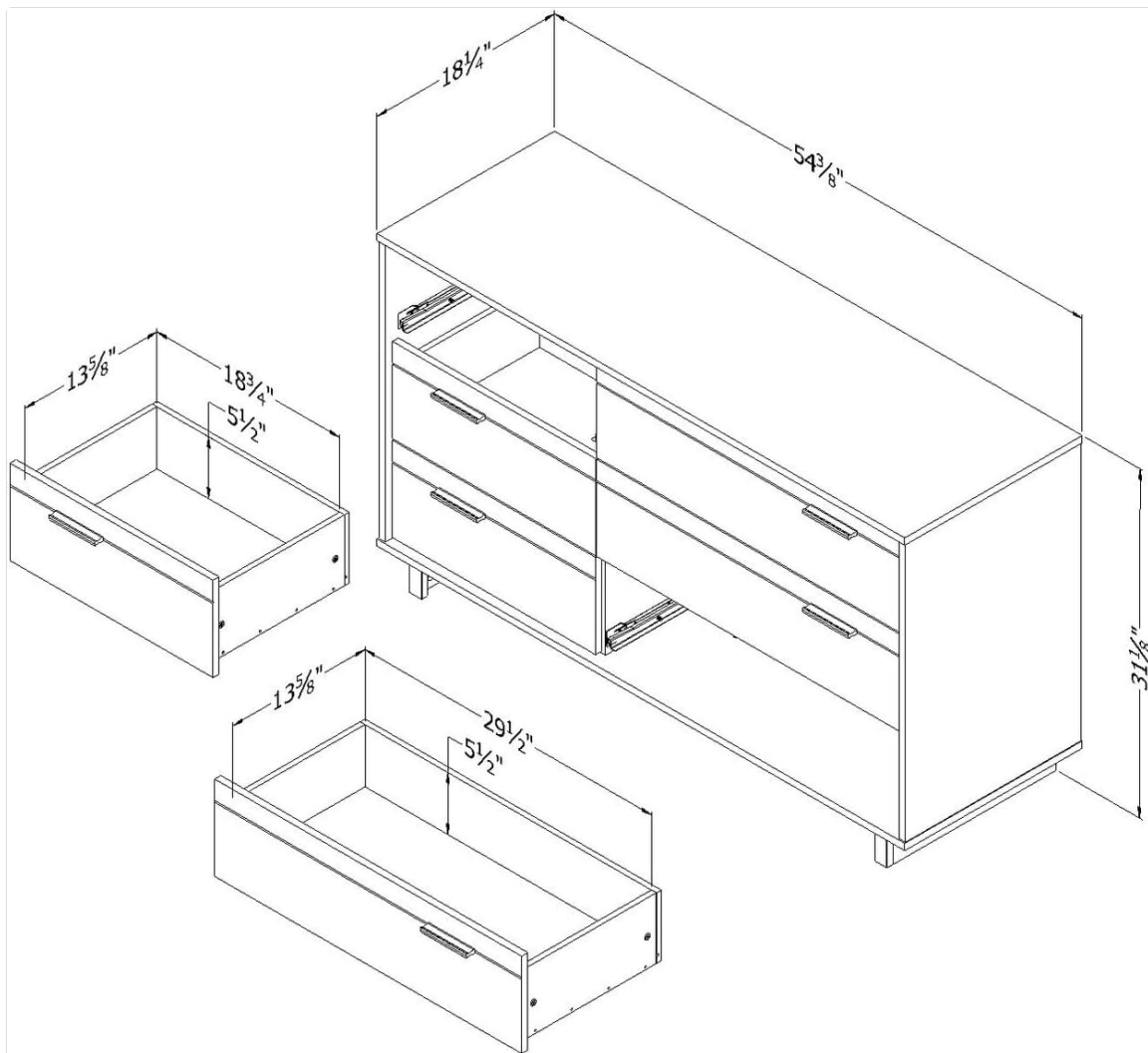


Image: A technical diagram illustrating the overall dimensions of the dresser and the individual drawer sizes, highlighting the six drawers and their internal structure.

## Assembly Video

Your browser does not support the video tag.

*Video: An official South Shore Furniture assembly guide demonstrating the general process of assembling their furniture, including steps for attaching panels and installing drawers.*

For detailed instructions, please refer to the printed assembly guide included in your package. If you encounter any difficulties, please contact our customer support team.

## OPERATING INSTRUCTIONS

The Fynn 6-Drawer Dresser is designed for convenient storage in your bedroom or living space. It features six drawers with sleek metal pulls, providing ample room for clothes, linens, or other items.

### Using the Drawers

- **Opening:** Gently pull the metal handles to open the drawers. The metal slides ensure smooth and quiet operation.
- **Closing:** Push the drawers firmly until they are fully closed and flush with the dresser frame.

- **Storage:** Utilize the six compartments to organize your belongings. The flat top surface can also be used for displaying decorative items or additional organization.



*Image: A full view of the assembled South Shore Fynn 6-Drawer Dresser in Gray Oak, showcasing its modern design and six functional drawers.*



*Image: A close-up shot of one of the black metal handles on the dresser, highlighting its sleek design and how it integrates with the drawer front.*

## MAINTENANCE

---

To maintain the appearance and longevity of your South Shore Fynn 6-Drawer Dresser, follow these simple maintenance guidelines:

- **Cleaning:** Wipe clean with a dry cloth. Avoid using abrasive cleaners or harsh chemicals, as these can damage the finish.
- **Spills:** Immediately wipe up any spills with a soft, dry cloth to prevent staining or damage to the laminated particleboard.
- **Sunlight:** Avoid prolonged exposure to direct sunlight to prevent fading of the finish.
- **Humidity:** Maintain a stable room temperature and humidity level to prevent warping or cracking of the wood material.

## TROUBLESHOOTING

If you encounter any issues with your dresser, please refer to the following common troubleshooting tips:

- **Drawers not sliding smoothly:** Check if the drawer slides are properly aligned and free from obstructions. Ensure all screws on the slides are tightened.
- **Dresser feels wobbly:** Verify that all assembly hardware is securely tightened. Ensure the dresser is placed on a level surface. If necessary, re-attach the anti-tip device to the wall.
- **Minor scratches or chips:** For small imperfections, touch-up pens or furniture markers in a matching color can be used.

If the problem persists, please contact South Shore customer support for further assistance.

## SPECIFICATIONS

Feature	Detail
Brand	South Shore
Product Dimensions	18.25"D x 54.38"W x 31.12"H
Color	Gray Oak
Room Type	Bedroom, Living Room
Furniture Finish	Metal (handles)
Product Care Instructions	Wipe with Dry Cloth
Assembly Required	Yes
Model Name	Fynn
Size	18.3"D x 54.4"W x 31.1"H (6 Drawers)
Warranty Type	Limited
Number of Pieces	1
Material	Wood (Laminated Particleboard)
Number of Drawers	6
Item Weight	117 pounds
Maximum Recommended Load	75 Pounds
Item Model Number	3237027

Feature	Detail
UPC	066311050226

## WARRANTY

---

The South Shore Fynn 6-Drawer Dresser comes with a full **5-year limited warranty**. This warranty covers manufacturing defects and ensures confidence in your purchase. Please retain your proof of purchase for any warranty claims.

## SUPPORT

---

Should you have any questions or require assistance with your South Shore Fynn 6-Drawer Dresser, our dedicated customer support team is available **7 days a week**. Please visit the official South Shore website or refer to the contact information provided in your product packaging for support details.