



Manuals.plus /

› Moen /

› Moen 2580 Posi-Temp Pressure Balancing Shower Valve User Manual

Moen 2580

Moen 2580 Posi-Temp Pressure Balancing Shower Valve

INSTRUCTION MANUAL

Product Overview

The Moen 2580 Posi-Temp Pressure Balancing Shower Valve is designed to provide consistent water temperature by balancing hot and cold water pressure. This valve features a durable brass construction and 1/2-inch crimp ring PEX connections. It is built on the Moen M-PACT common valve system, allowing for future trim updates without altering the plumbing. The valve includes an adjustable temperature limit stop to control maximum hot water temperature and utilizes a 1222 cartridge.

Setup and Installation

Proper installation is crucial for the optimal performance of your Moen Posi-Temp valve. This valve is designed for 1/2-inch crimp PEX inlets and includes four ports: two inlets for hot and cold water, one outlet for the shower, and one outlet for the tub. For shower-only installations, the tub outlet must be capped.

- **Valve System:** The valve is part of the Moen M-PACT common valve system, which simplifies future trim changes.
- **Connections:** Ensure all connections are secure and meet local plumbing codes. The valve accommodates 1/2-inch crimp ring PEX connections.
- **Temperature Limit Stop:** Before installing decorative trim, set the adjustable temperature limit stop to prevent scalding by controlling the maximum hot water temperature.
- **Cartridge:** The 1222 cartridge is integral to the valve's pressure balancing function and accommodates back-to-back installations.

DESCRIPTION

- Brass construction
- 1/2" CC, IPS, or PEX connections with 1/4 turn stops
- Pressure balancing, four port, cycle valve

OPERATION

- Adjustable temperature limit stop to control maximum hot water temperature
- Pressure balancing mechanism maintain selected discharge temperature to $\pm 3^{\circ}\text{F}$

CARTRIDGE

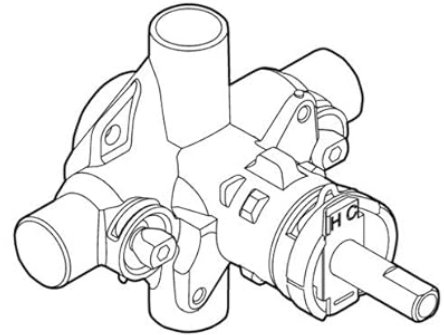
- 1222 cartridge design
- Nonmetallic/nonferrous and stainless steel materials
- Accommodates back to back installations

STANDARDS

- Third party certified to meet ASME A112.18.1/CSA B125.1, ASSE 1016, and all applicable requirements referenced therein
- Moen's Posi-Temp® and Moentrol® valves with graphite composite spools combined with Moen's Eco-performance showerheads meet the performance requirements of pressure and temperature variation of ASSE1016 when tested as low as 1.5 gpm

WARRANTY

- Lifetime limited warranty against leaks, drips and finish defects to the original consumer purchaser
- 5 year warranty if used in commercial installations



POSI-TEMP® VALVE Pressure-Balancing Valve with 1/4 Turn Stops

Single Pack

Models: 2570 (CC), 2590 (IPS), 2580 (PEX)

Bulk Packed

Models: 62370 (CC), 62390 (IPS)
(Bulk packed 12 per carton)

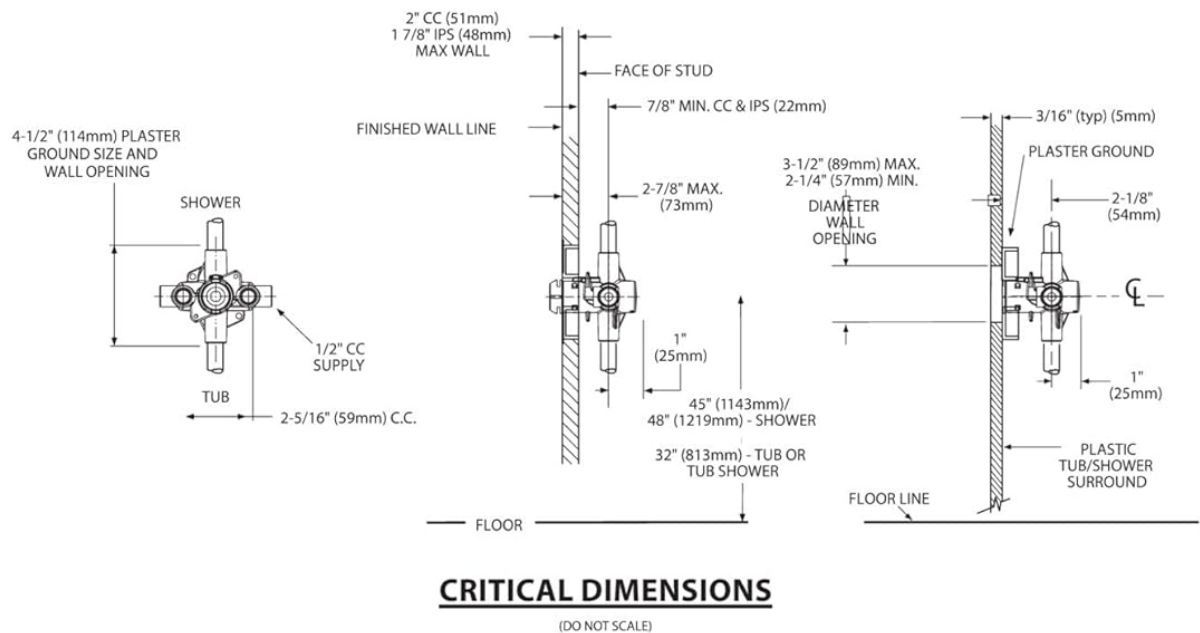


Figure 1: This diagram provides detailed specifications for the Moen Posi-Temp valve, including its brass construction, pressure balancing mechanism, 1/4 turn stops, and critical installation dimensions for rough-in, such as plaster ground and wall opening measurements.

Posi-Temp Valve



How It Is Used

Use for shower or tub and shower applications. Combine with transfer valve to create a shower spa with an additional showerhead, handshower or 2 body sprays.

Installation

Accommodates standard 1/2" connections; CC (copper), CPVC, crimp ring PEX, cold expansion PEX and IPS (threaded) options available. Set maximum temperature limit before installing decorative trim.

Benefits

- Cycles through cold to hot at full volume
- Pressure balancing prevents shower shock
- Temperature limit stop for safety
- Options for integrated stops available
- Back-to-back installation capability
- M-PACT common valve system allows updating trim without changing the valve

2510, 2520(shown), 2570, or 2590

Figure 2: This diagram illustrates how the Moen Posi-Temp valve is used in shower and tub applications, its installation features, and benefits such as pressure balancing, temperature limit stop, and compatibility with the M-PACT common valve system.

Operating Instructions

The Posi-Temp valve is designed for ease of use and consistent performance. Once installed, operate the valve using the compatible Moen trim kit (sold separately).

- **Temperature Control:** The Posi-Temp technology automatically balances hot and cold water pressure to maintain a consistent water temperature, preventing sudden temperature changes.
- **Flow Control:** The valve features 1/4 turn stops for water flow control.
- **Adjustable Temperature Limit:** The maximum hot water temperature can be adjusted using the temperature limit stop located on the valve. Refer to the trim kit instructions for specific adjustment procedures.

Maintenance

Regular maintenance ensures the longevity and optimal performance of your Moen Posi-Temp valve.

- **Cleaning:** Clean the exterior of the valve and associated trim with a soft cloth and mild soap. Avoid

abrasive cleaners or harsh chemicals that can damage the finish.

- **Cartridge Replacement:** If you experience issues with water temperature regulation or flow, the 1222 cartridge may need to be inspected or replaced. Consult a qualified plumber or Moen's customer support for assistance.
- **Water Shut-off:** Always turn off the main water supply before performing any maintenance or repairs on the valve.

Troubleshooting

Problem	Possible Cause	Solution
Inconsistent Water Temperature	Faulty Posi-Temp cartridge (1222).	Replace the 1222 cartridge. Ensure the temperature limit stop is correctly set.
Low Water Flow	Debris in the valve or cartridge. Partially closed shut-off valves.	Flush the valve or clean/replace the cartridge. Ensure all supply valves are fully open.
Water Leaks from Valve	Loose connections. Damaged O-rings or cartridge.	Tighten connections. Inspect and replace O-rings or the 1222 cartridge if damaged.
No Hot or Cold Water	Supply line shut-off valve closed. Cartridge issue.	Check if hot/cold supply valves are open. Inspect or replace the 1222 cartridge.

Specifications

Feature	Detail
Model Number	2580
Brand	Moen
Material	Brass (Metal)
Exterior Finish	Brass
Valve Type	Pressure Balancing Valve
Inlet Connection Type	Cross Linked Polyethylene (PEX)
Outlet Connection Type	PEX
Connector Type	Crimp
Outlet Connection Size	0.5 Inches
Number of Ports	4 (Hot, Cold, Shower, Tub)
Item Dimensions (L x W x H)	7 x 2.75 x 6 inches
Specification Met	ASSE
Included Components	Valve
UPC / GTIN	026508233566

Warranty and Support

Moen provides comprehensive warranty coverage for this product.

- **Limited Lifetime Warranty:** The Moen 2580 Posi-Temp valve is backed by Moen's Limited Lifetime Warranty against leaks, drips, and finish defects for the original consumer purchaser.
- **Commercial Warranty:** A 5-year warranty is provided for commercial installations.
- **Customer Support:** For technical assistance, warranty claims, or to purchase replacement parts, please visit the official Moen website or contact Moen customer service.