



Manuals.plus /

› Nerf /

› Nerf N-Strike Elite Retaliator Blaster Model 98696 User Manual

Nerf 98696

Nerf N-Strike Elite Retaliator Blaster Model 98696 User Manual

Your guide to assembly, operation, and maintenance.

Information Components Setup Operation Safety Maintenance & Support Troubleshooting Specifications Warranty

INTRODUCTION

The Nerf N-Strike Elite Retaliator Blaster is designed for customizable play, offering four different configurations to adapt to various scenarios. This manual provides essential information for safe and effective use of your blaster.

SAFETY INFORMATION

WARNING: To avoid injury, do not aim at eyes or face. Use only darts designed for this product. Do not modify darts or dart blaster. Recommended for ages 8 and up.

- Always wear eye protection when using the blaster.
- Do not fire at close range.
- Keep fingers clear of moving parts.
- Ensure the blaster is unloaded when not in use.

COMPONENTS

The Nerf N-Strike Elite Retaliator Blaster comes with the following components:

- Main Blaster Unit
- Removable Stock
- Barrel Extension
- Stability Handle (Assault Grip)
- 12-Dart Quick Reload Clip

- 12 Elite Darts



Figure 1: Nerf N-Strike Elite Retaliator Blaster in its original packaging, showing the main blaster, stock, barrel extension, and darts.



Figure 2: The Nerf N-Strike Elite Retaliator Blaster fully assembled with the stock, barrel extension, and stability handle attached.

SETUP

Attaching Components

The Retaliator Blaster is designed for modular assembly, allowing for four different configurations. Components can be easily attached and detached.

1. **Attach the Stock:** Align the stock with the rear of the main blaster unit and slide it on until it clicks into place. The stock helps stabilize your shot.
2. **Attach the Barrel Extension:** Align the barrel extension with the front of the main blaster unit and twist or slide it on until secure. The barrel extension features top and bottom Tactical Rails for additional accessories.
3. **Attach the Stability Handle:** Slide the stability handle onto one of the Tactical Rails on the barrel extension or the main blaster unit. This grip enhances mobility and control.



Figure 3: The Nerf N-Strike Elite Retaliator Blaster in a compact pistol configuration, without the stock or barrel extension.



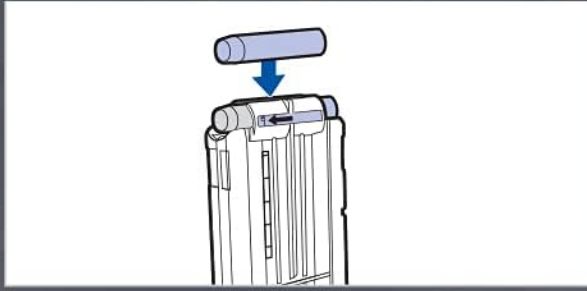
Figure 4: The Nerf N-Strike Elite Retaliator Blaster with the barrel extension and stability handle attached, demonstrating a tactical configuration.

OPERATION

Loading Darts

1. Load Elite Darts into the 12-dart Quick Reload Clip. Ensure darts are inserted in the direction indicated on the clip.
2. Insert one dart at a time and push down until fully seated. The clip can hold up to 12 darts.

LOADING AMMO

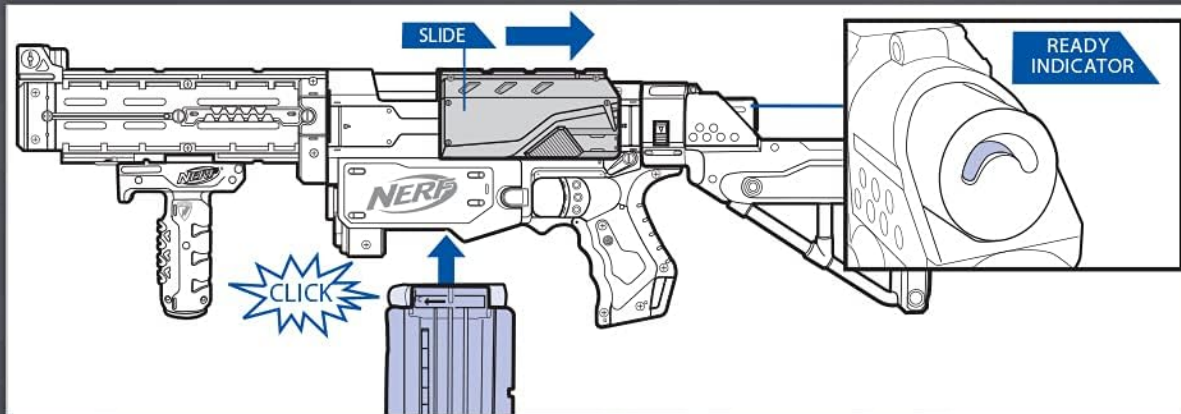


Load DARTS into the QUICK RELOAD CLIPS.

- **Be sure DARTS are inserted in direction indicated on CLIP.**
- **Insert 1 DART at a time and push down.**
- **Included CLIP can hold up to 12 DARTS.**

Do not insert more than 12 darts.

INSERTING CLIP



1. Pull SLIDE all the way back until READY INDICATOR is orange; keep in the rearmost position.

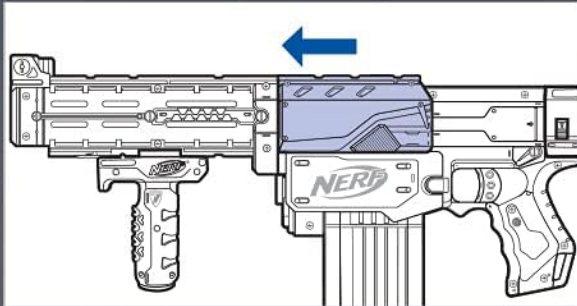
2. Insert CLIP into MAIN BLASTER UNIT (make sure arrow on CLIP points away from TRIGGER).

Figure 5: Illustration demonstrating the correct method for loading darts into the Quick Reload Clip.

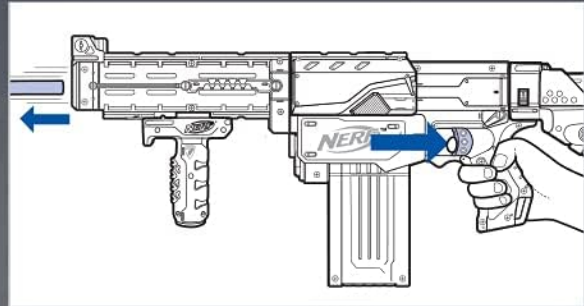
Inserting the Clip

1. Pull the SLIDE all the way back until the READY INDICATOR is orange. Keep the slide in the rearmost position.
2. Insert the loaded Quick Reload Clip into the main blaster unit. Ensure the arrow on the clip points away from the trigger. The clip will click into place.

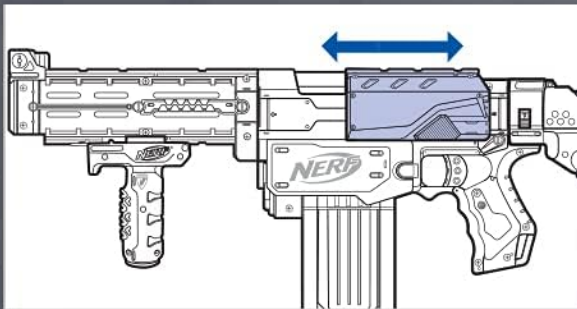
FIRING



1. Push SLIDE all the way forward to chamber DART.



2. Pull trigger to fire



3. To fire again:

- Pull SLIDE all the way back, then push all the way forward to chamber another DART.
- Pull TRIGGER to fire.
- Repeat this step until CLIP is empty.

Figure 6: Illustration showing the process of inserting the loaded dart clip into the blaster and pulling back the slide.

Firing the Blaster

1. Push the SLIDE all the way forward to chamber a dart.
2. Pull the trigger to fire.
3. To fire again, pull the SLIDE all the way back, then push it all the way forward to chamber another dart. Pull the trigger. Repeat this step until the clip is empty.



Figure 7: Illustration detailing the steps for firing the Nerf N-Strike Elite Retaliator Blaster, including priming and shooting.

Official Product Video: Nerf N-Strike Elite Retaliator Blaster Overview

Your browser does not support the video tag.

This video provides an overview of the Nerf N-Strike Elite Retaliator Blaster, demonstrating its features and customizable configurations. It shows how to attach the stock, barrel extension, and grip, and highlights the blaster's dart capacity and firing range.

MAINTENANCE

Clearing a Jam

If a dart jam occurs, follow these steps:

1. If the SLIDE seems stuck, try pulling the TRIGGER first.
2. Check the BARREL area for a jammed dart. Pull the SLIDE all the way back. Open the JAM CLEARING DOOR and remove any jammed darts. Close the JAM CLEARING DOOR completely, as the blaster will not function if it is open.
3. Check the CLIP area for a jammed dart. Pull the SLIDE all the way back. Press the CLIP RELEASE button and

remove the QUICK RELOAD CLIP. Remove any jammed darts.

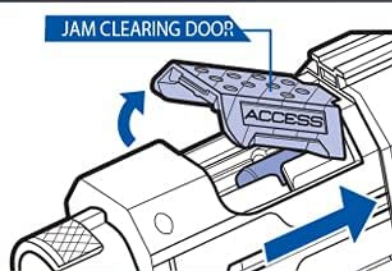
4. Replace the CLIP and push the SLIDE all the way forward. This should load another dart.

○ CLEARING A JAM



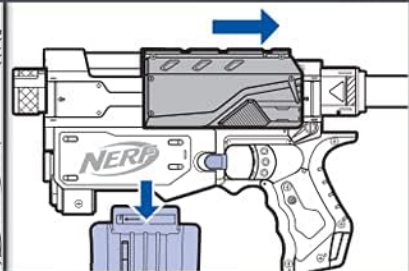
1. If SLIDE seems stuck, try pulling the TRIGGER first.

NOTE: Blaster will not function unless JAM CLEARING DOOR is fully closed.



2. Check BARREL area for a jammed DART:

- Pull SLIDE all the way back.
- Open the JAM CLEARING DOOR and remove any jammed DARTS.
- Close JAM CLEARING DOOR (must be completely closed or blaster will not fire).



3. Check CLIP area for a jammed DART:

- Pull SLIDE all the way back.
- Press CLIP RELEASE BUTTON and remove the QUICK RELOAD CLIP.
- Remove any jammed DARTS.

4. Replace CLIP and push SLIDE all the way forward. This should load another DART.

STORING YOUR BLASTER

NOTE: Do not store blaster cocked and ready to fire.

- Be sure to unload DARTS from blaster before putting it away.

Figure 8: Illustration detailing the steps to clear a dart jam from the Nerf N-Strike Elite Retaliator Blaster, including opening the jam clearing door.

Storing Your Blaster

- Do not store the blaster cocked and ready to fire.
- Be sure to unload darts from the blaster before putting it away.

TROUBLESHOOTING

Problem	Possible Cause	Solution
Darts not firing or firing weakly.	Jammed dart, worn darts, slide not fully primed.	Clear any jams (refer to "Clearing a Jam"). Use new, undamaged Elite Darts. Ensure the slide is pulled back and pushed forward completely.
Clip not inserting or removing easily.	Slide not fully back, obstruction in clip well.	Ensure the slide is pulled all the way back. Check for any debris in the clip well. Press the clip release button firmly.
Attachments (stock, barrel) are loose.	Not fully engaged, worn connection points.	Ensure attachments are pushed or twisted until they click securely into place. If connections are worn, replacement parts may be needed (contact customer support).

SPECIFICATIONS

- **Model Number:** 98696
- **Brand:** Nerf
- **Manufacturer:** Hasbro
- **Material Type:** Plastic
- **Item Weight:** 150 Grams
- **Item Dimensions:** 2.99 x 19.02 x 11.5 inches
- **Maximum Range:** Up to 90 Feet (27 meters)
- **Dart Capacity:** 12 Elite Darts (with included clip)
- **Age Recommendation:** 8+
- **Batteries Required:** No
- **Assembly Required:** No (modular components attach easily)

WARRANTY & SUPPORT

This product comes with **No Warranty** as per manufacturer specifications. For any product inquiries or support, please contact Hasbro customer service directly.

You can visit the official Nerf store for more information and accessories: [Nerf Official Store](#)

