

GROHE 38721001

GROHE Rapid SL 38721001 Wall-Hung Toilet Frame Instruction Manual

Model: 38721001 | Brand: GROHE

1. PRODUCT OVERVIEW

The GROHE Rapid SL system provides a secure and efficient method for installing wall-hung sanitaryware, including basins, bidets, urinals, and WCs. This 3-in-1 set is designed for wall-hung toilets and includes wall brackets and a Skate Air flush plate. The frames are available in various installation heights and come pre-assembled with sanitaryware fixings. GROHE WC frames are rigorously tested to support loads exceeding 400 kg, ensuring durability and safety.

Key features of the GROHE Rapid SL system include:

- **GROHE Whisper Technology:** This technology minimizes sound transmission to adjoining rooms by decoupling pipe supports, preventing noise transfer when water is released from the concealed cistern. This allows for flexible bathroom design without concerns about noise disturbance.
- **GROHE EcoJoy:** Designed to reduce water consumption by up to 50%, contributing to lower utility bills.
- **Spare Flush:** Provides an additional flush volume for effective flushing, even with older plumbing systems.
- **QuickFix Installation:** Reduces installation time with quick and tool-free connections for water supply, flexible hose, and inspection shaft.
- **5-Year Manufacturer's Warranty:** This product is covered by a 5-year manufacturer's warranty.



Image 1.1: The GROHE Rapid SL frame integrated with a wall-hung toilet and bidet in a bathroom setting.



Image 1.2: A cross-section view illustrating the GROHE Rapid SL frame installed behind a tiled wall, showing the concealed cistern and flush plate.

2. SETUP AND INSTALLATION

The GROHE Rapid SL 3-in-1 set is designed for straightforward installation by qualified professionals. The frame is pre-assembled, simplifying the process. Ensure that the installation area is prepared according to local building codes and plumbing standards.

2.1 Mounting the Frame

The frame must be securely mounted to a load-bearing wall or suitable support structure. The included wall brackets facilitate this process. Refer to the technical drawing for precise measurements and clearances required for installation.

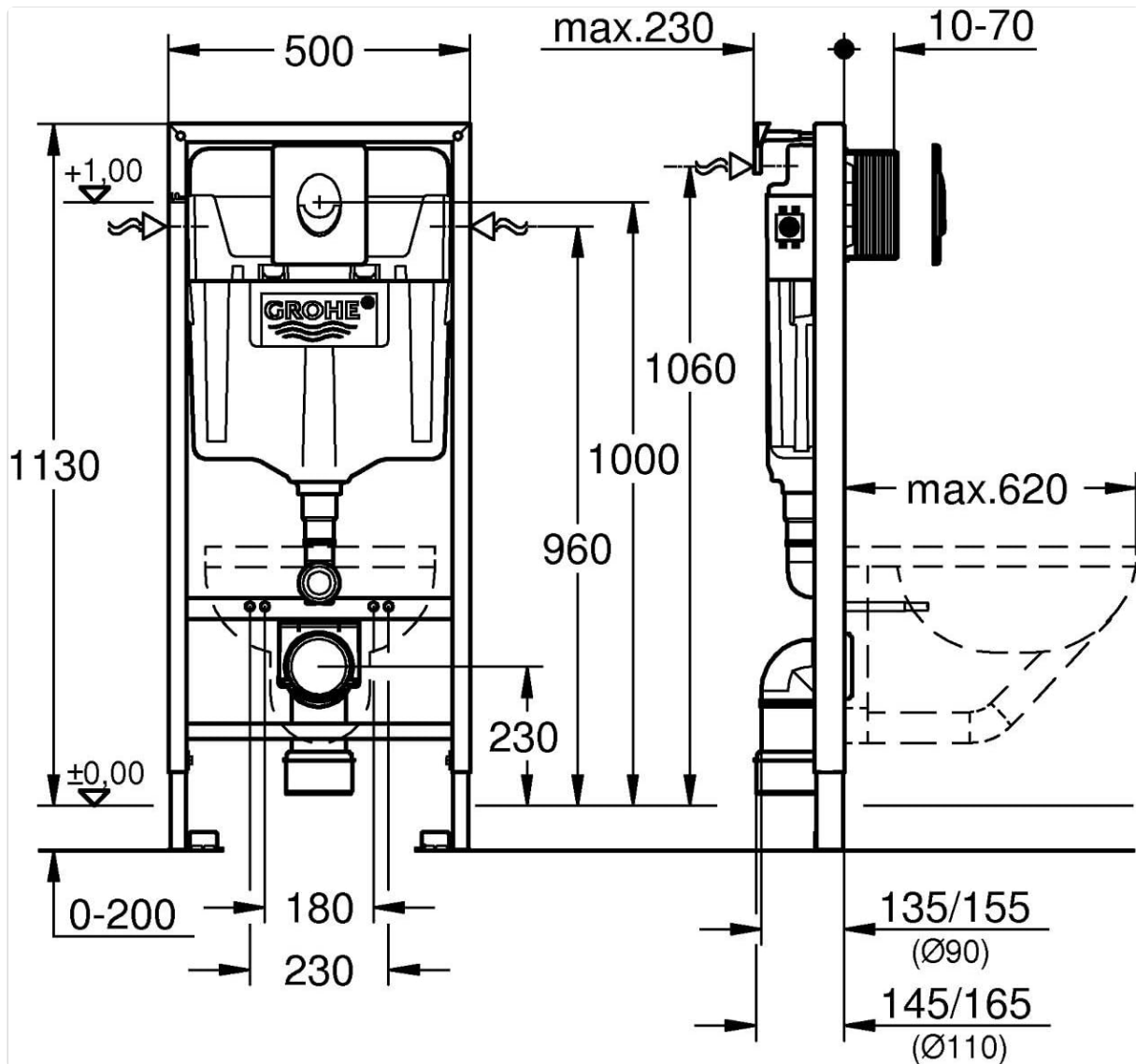


Image 2.1: Technical drawing detailing the dimensions and installation points of the GROHE Rapid SL frame.

2.2 Water and Drainage Connections

Connect the water supply and drainage pipes to the designated points on the Rapid SL frame. The system features quick and tool-free connections for the water supply, flexible hose, and inspection shaft, which helps reduce installation time. Ensure all connections are watertight and comply with plumbing regulations.

2.3 Wall Finishing and Toilet Mounting

Once the frame and connections are secure, the wall can be finished (e.g., tiled). After the wall is complete, the wall-hung toilet bowl can be mounted onto the frame's fixings. Finally, install the Skate Air flush plate onto the access panel.



Image 2.2: The GROHE Rapid SL frame with a wall-hung toilet and the flush plate visible, demonstrating the final installed appearance.

3. OPERATING INSTRUCTIONS

The GROHE Rapid SL system operates via the Skate Air flush plate, which typically offers a dual-flush mechanism for water conservation.

3.1 Dual Flush Operation

- **Full Flush:** Press the larger button on the Skate Air flush plate for a full flush, suitable for solid waste.
- **Reduced Flush:** Press the smaller button for a reduced flush, ideal for liquid waste, saving water with each use.

The flush system is designed for quiet operation, thanks to GROHE Whisper Technology, ensuring minimal noise during use.

4. MAINTENANCE

Regular cleaning and maintenance will ensure the longevity and optimal performance of your GROHE Rapid SL system and wall-hung toilet.

4.1 Cleaning the Toilet Bowl and Seat

Clean the ceramic toilet bowl and seat regularly using mild, non-abrasive cleaning agents. Avoid harsh chemicals or abrasive scrubbers that could damage the surfaces. The wall-hung design allows for easy cleaning of the floor underneath the toilet.

4.2 Cleaning the Flush Plate

Wipe the chrome Skate Air flush plate with a soft, damp cloth. For stubborn marks, use a mild soap solution and then rinse thoroughly with clean water and dry with a soft cloth. Do not use abrasive cleaners, scouring pads, or cleaners containing alcohol, acid, or ammonia, as these can damage the chrome finish.

4.3 Internal Components

The internal components of the concealed cistern are designed for durability and minimal maintenance. In case of issues, the inspection shaft provides access for professional servicing. Do not attempt to service internal components without proper training.

5. TROUBLESHOOTING

If you encounter issues with your GROHE Rapid SL system, consider the following general troubleshooting steps. For complex problems, it is recommended to contact a qualified plumber or GROHE customer support.

5.1 Weak Flush

- Ensure the water supply valve to the cistern is fully open.
- Check if the flush plate buttons are operating correctly and not obstructed.
- The Spare Flush feature can provide additional volume if needed.

5.2 Continuous Water Flow into Bowl

- This may indicate an issue with the flush valve seal.
- Contact a professional plumber for inspection and repair.

5.3 Leaks

- Immediately turn off the water supply to the cistern.
- Inspect visible connections for tightness.
- For leaks from concealed parts, professional assistance is required.

6. SPECIFICATIONS

Attribute	Value
Model Number	38721001
Brand	GROHE
Color	Silver (Frame) / Chrome (Flush Plate)
Product Dimensions (D x W x H)	20.67"D x 6.1"W x 43.7"H
Material (Frame)	Steel (Frame) / Chrom (Flush Plate)

Attribute	Value
Item Weight	12.9 Kilograms
Installation Method	Wall Mounted
Seat Material (Toilet)	Keramik (Toilet bowl, not included in this set but compatible)
Load Capacity	Tested to hold over 400 kg

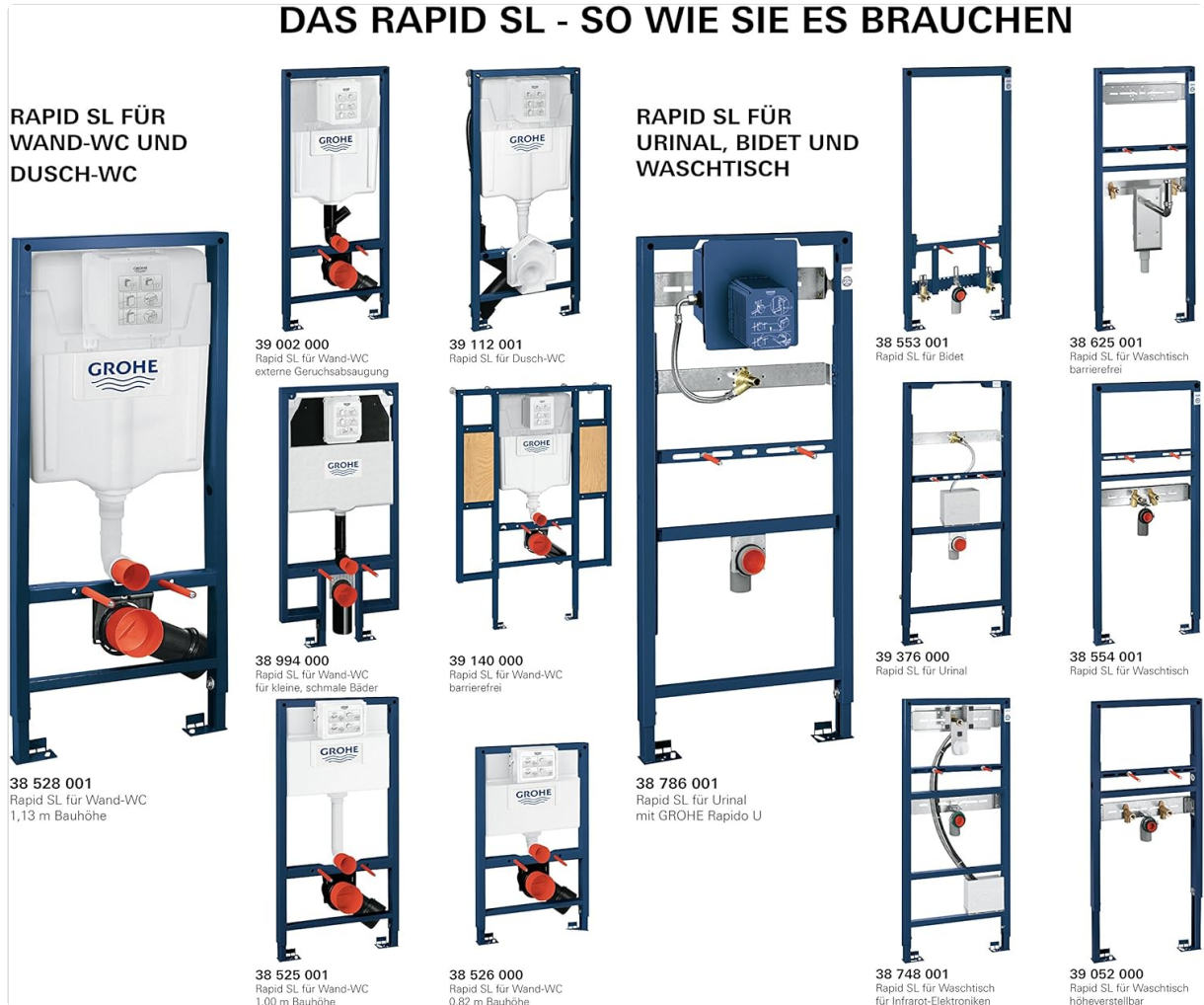


Image 6.1: An overview of various GROHE Rapid SL installation systems, highlighting their versatility for different bathroom fixtures.

7. WARRANTY AND SUPPORT

7.1 Manufacturer's Warranty

This GROHE product comes with a 5-year manufacturer's warranty, covering defects in materials and workmanship under normal use and service. Please retain your proof of purchase for warranty claims.

7.2 Customer Support

For technical assistance, spare parts, or warranty inquiries, please contact GROHE customer support. You can find contact information on the official GROHE website or through your local distributor. When contacting support, please have your product model number (38721001) and proof of purchase readily available.

For more information, visit the official GROHE website: www.grohe.com

