

Manuals+

[Q & A](#) | [Deep Search](#) | [Upload](#)

manuals.plus /

- > [Lorell](#) /
- > [Lorell ErgoMesh Series Managerial Mid-Back Chair Instruction Manual](#)

Lorell 86201

Lorell ErgoMesh Series Managerial Mid-Back Chair Instruction Manual

Model: 86201

Brand: Lorell

INTRODUCTION

This instruction manual provides detailed information on the assembly, operation, maintenance, and troubleshooting of your Lorell ErgoMesh Series Managerial Mid-Back Chair. Designed for comfort and ergonomic support, this chair features a mesh back and fabric seat, offering various adjustments to suit individual preferences. Please read this manual thoroughly before using your chair to ensure proper setup and longevity.





Image: Front view of the Lorell ErgoMesh Series Managerial Mid-Back Chair, showcasing its black mesh back and black fabric seat.

SETUP AND ASSEMBLY

The Lorell ErgoMesh Series Managerial Mid-Back Chair is designed for straightforward setup. While it is listed as requiring no assembly, some components may need to be connected upon unpacking to ensure full functionality. Follow these general steps for initial setup.

Unpacking and Component Identification

- Carefully remove all components from the packaging.
- Verify that all parts are present. Refer to any packing list included with your product.
- Place all components on a clean, flat, and stable surface to prevent damage during setup.

Assembly Steps (if required)

1. **Attach Casters to Base:** Insert the five casters into the holes at the end of each leg of the five-star nylon base. Push firmly until they are securely seated.

2. **Insert Gas Lift:** Place the larger end of the gas lift cylinder into the center hole of the five-star base.
3. **Attach Seat to Gas Lift:** Carefully align the center mechanism of the seat with the top (smaller end) of the gas lift cylinder. Press down firmly on the seat to secure it onto the gas lift.
4. **Connect Backrest and Armrests:** If the backrest and armrests are separate, align their mounting points with the corresponding holes on the seat mechanism. Secure with the provided hardware, ensuring all connections are firm.

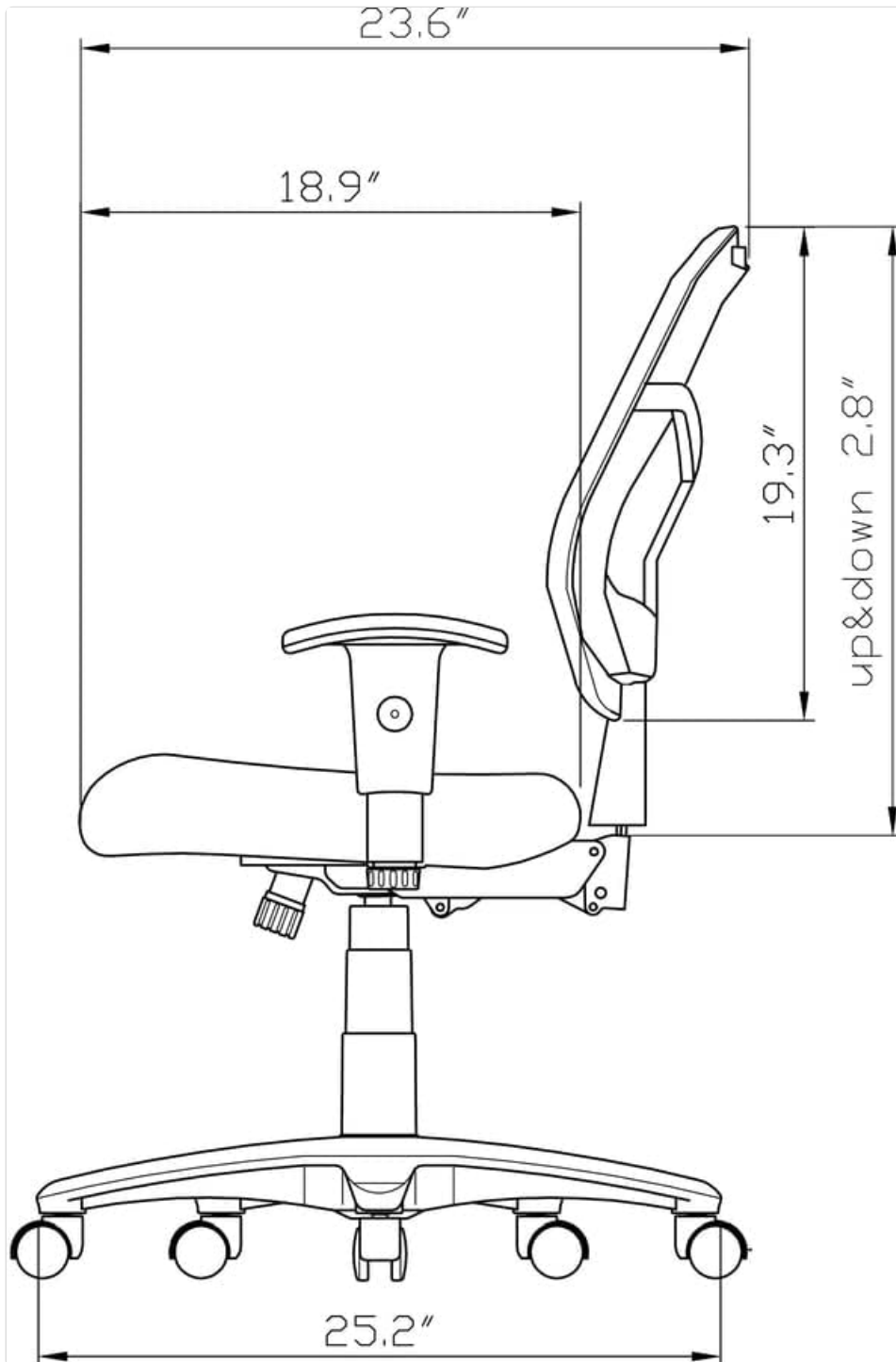


Image: Side dimension diagram illustrating the chair's height and depth measurements, useful for understanding component fit.

OPERATING INSTRUCTIONS

The Lorell ErgoMesh chair offers multiple adjustment features to customize your seating experience for optimal comfort and ergonomic support.

Chair Adjustments

- **Pneumatic Seat-Height Adjustment:**

To raise the seat, lift the lever located on the right side of the chair while taking your weight off the seat. To lower the seat, lift the same lever while seated. The seat height can be adjusted from approximately 17 inches to 21 inches from the floor.

- **360-Degree Swivel:**

The chair is equipped with a 360-degree swivel mechanism, allowing for full rotation and easy movement around your workspace without needing to reposition the base.

- **Back-Height Adjustment:**

To adjust the height of the backrest, locate the knob or lever at the back of the chair, typically below the backrest. Loosen it, slide the backrest up or down to your desired position, and then tighten the knob/lever to secure it. This feature helps align the backrest with the natural curvature of your back.

- **Tilt and Asynchronous Three-Lever Control:**

This chair features asynchronous controls, meaning the seat and backrest angles can be adjusted independently. Look for multiple levers (typically three) under the seat:

- One lever controls the seat tilt.
- Another lever controls the backrest angle.
- A third lever may control the pneumatic height adjustment or lock/unlock the tilt mechanism.

Experiment with these levers to find your preferred recline and seat angle. The chair can be locked in various tilted positions.

- **Armrest Adjustment:**

The armrests are adjustable in both height and width. Locate the buttons or levers on the armrests to unlock them, adjust to your desired position, and then lock them back into place. This allows for proper arm and shoulder support.









Image: Front, side, and back views of the chair, highlighting the adjustable armrests and control levers visible beneath the seat and the back height adjustment area.

MAINTENANCE

Regular maintenance will help preserve the appearance and functionality of your Lorell ErgoMesh chair.

- **Cleaning:**

The chair's fabric seat and mesh back should be spot cleaned only. Use a mild soap solution and a damp cloth to gently clean soiled areas. Avoid harsh chemicals or abrasive cleaners, as these can damage the materials. Test any cleaning solution on an inconspicuous area first.

- **Caster Care:**

Periodically check the casters for accumulated hair, dust, or debris. Clean them as needed to ensure smooth rolling. The chair is recommended for hard floor surfaces.

- **Hardware Check:**

From time to time, inspect all screws and bolts to ensure they are tight. Retighten any loose hardware to maintain stability and prevent squeaks or wobbles.

TROUBLESHOOTING

This section addresses common issues you might encounter with your Lorell ErgoMesh chair.

- **Seat Height Adjustment Not Working:**

Ensure the pneumatic lift lever is fully engaged. If the chair does not raise, ensure you are off the seat when lifting the lever. If it does not lower, ensure you are seated and applying weight while lifting the lever. If the issue persists, the gas lift cylinder may need replacement.

- **Backrest Slips Down or Does Not Stay in Position:**

Verify that the back-height adjustment knob or lever is securely tightened after positioning the backrest. If the mechanism feels loose, inspect for any damaged components or worn parts. Applying a small amount of silicone lubricant to the sliding mechanism (if accessible) might improve its function.

- **Chair Rocks or Feels Loose (Front/Back Motion):**

This can indicate that the connection between the upper chair assembly and the gas lift piston has become loose. Check the main bolt or connection point under the seat where it attaches to the gas lift. Ensure all assembly screws are tight, especially those connecting the seat mechanism to the seat pan and the backrest. If the issue persists, professional inspection may be required.

- **Squeaking Noises:**

Squeaking often results from loose hardware or friction between moving parts. Identify the source of the squeak by gently rocking the chair and applying pressure to different areas. Tighten any loose screws and apply a small amount of silicone-based lubricant to pivot points or springs.

SPECIFICATIONS

Feature	Detail
Brand	Lorell
Model Name	Ergomesh
Model Number	86201
Color	Black Mesh Back/ Black Fabric Seat
Product Dimensions	23.5"D x 25.3"W x 40.5"H
Size	Mid-Back
Back Style	Mid Back
Special Features	360° Swivel, Back Height Adjustment, Ergonomic, Pneumatic Adjustment, Tilt
Product Care Instructions	Spot Clean
Recommended Uses	Office
Maximum Weight Recommendation	250 Pounds

Feature	Detail
Arm Style	With arms
Surface Recommendation	Hard Floor
Furniture Base Movement	Swivel
Seat Height	17" to 21" (Pneumatic adjustment)
Seat Depth	18.7 inches
Fill Material	Foam
Item Weight	50.3 pounds
Assembly Required	No (Minimal assembly may be required)
UPC	035255862011, 809099274466, 641438457297

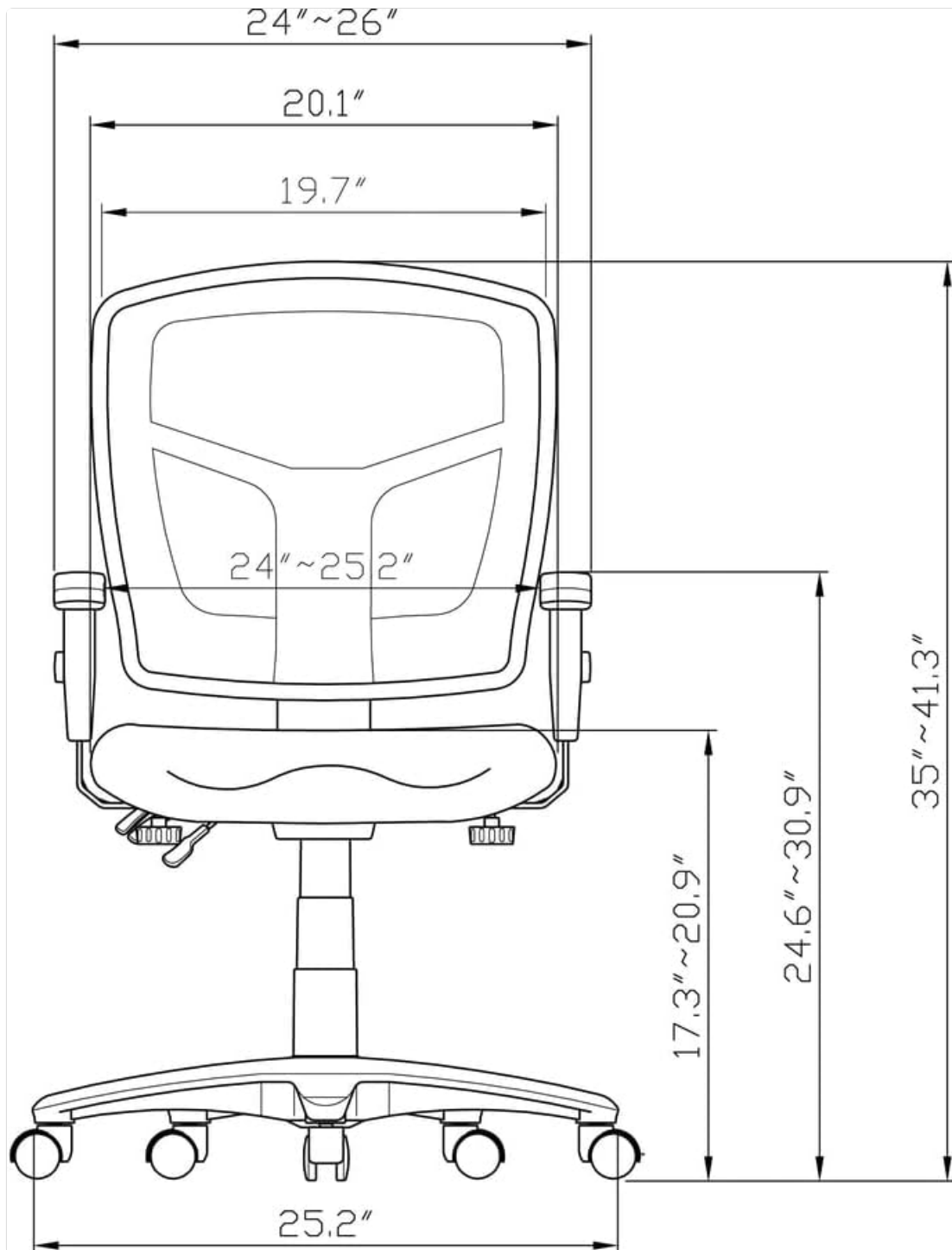


Image: Top and back dimension diagram providing additional measurements for the chair's overall footprint and backrest.

WARRANTY INFORMATION

The Lorell ErgoMesh Series Managerial Mid-Back Chair comes with a **5-year warranty**. This warranty covers defects in materials and workmanship under normal use. Please retain your proof of purchase for warranty claims. For specific terms and conditions, refer to the warranty documentation included with your product or contact Lorell customer support.

CUSTOMER SUPPORT

For further assistance, questions, or to report any issues with your Lorell ErgoMesh chair, please contact Lorell customer service. You can often find contact information on the Lorell official website or through the retailer where you purchased the product.

Visit the [Lorell Store on Amazon](#) for more information and products.



© 2024 Lorell. All rights reserved.