



[Manuals.plus](#) /

› [Ameriwood Home](#) /

› Ameriwood Home 9178396 Parsons Desk with Drawer Instruction Manual

Ameriwood Home 9178396

Ameriwood Home Parsons Desk with Drawer

MODEL: 9178396

Product Overview

The Ameriwood Home Parsons Desk with Drawer offers a sophisticated and minimalist design, perfect for redefining any workspace or room. Its classic Parsons styling features a simple silhouette with clean lines. This desk includes a small center storage drawer, ideal for organizing pens, paper, computer peripherals, and other small office supplies. It can also serve as a functional side table in a living room. With compact dimensions of 30 inches high, 39 inches wide, and 19.7 inches deep, it's a convenient size for various spaces. The black finish provides a bold look or can be subtly integrated with neutral decor. Constructed from laminated particleboard and MDF, this desk is designed for durability without overwhelming your workspace. The desktop comes pre-assembled; simply attach the four legs for complete assembly.

Key Features:

- Ideal home office accessory.
- Single drawer for small office supplies.
- Spacious desktop for laptops and documents.
- Easy assembly (2 people recommended).
- Dimensions: 30"H x 39"W x 19.7"D.
- Approximate shipping weight: 32 lbs.
- Elegant black finish.
- Durable laminated particleboard and MDF construction.



Figure 1: Top-down view of the Ameriwood Home Parsons Desk, showcasing its sleek black finish and rectangular design.



Figure 2: The Parsons Desk integrated into a modern room setting, featuring a laptop and demonstrating its functional use.

Setup and Assembly

The Ameriwood Home Parsons Desk is designed for straightforward assembly. The desktop unit comes pre-assembled, significantly reducing the setup time. You will primarily need to attach the four legs to the desktop.

Assembly Steps:

1. Unpack all components and verify against the parts list (refer to the included manual for a complete list).
2. Carefully place the desktop upside down on a soft, clean surface (e.g., a blanket or carpet) to prevent scratches.
3. Identify the four legs. Each leg is designed to fit into a specific corner of the desktop.

4. Align each leg with its corresponding mounting point on the underside of the desktop. Ensure the pre-drilled holes are aligned.
5. Secure each leg using the provided screws. A Phillips head screwdriver is recommended for efficient assembly. Tighten all screws firmly but do not overtighten.
6. Once all four legs are securely attached, carefully turn the desk upright. It is recommended that two people perform this step to avoid damage.
7. Place the desk in its desired location. Ensure it is stable and level. Adjust if necessary.

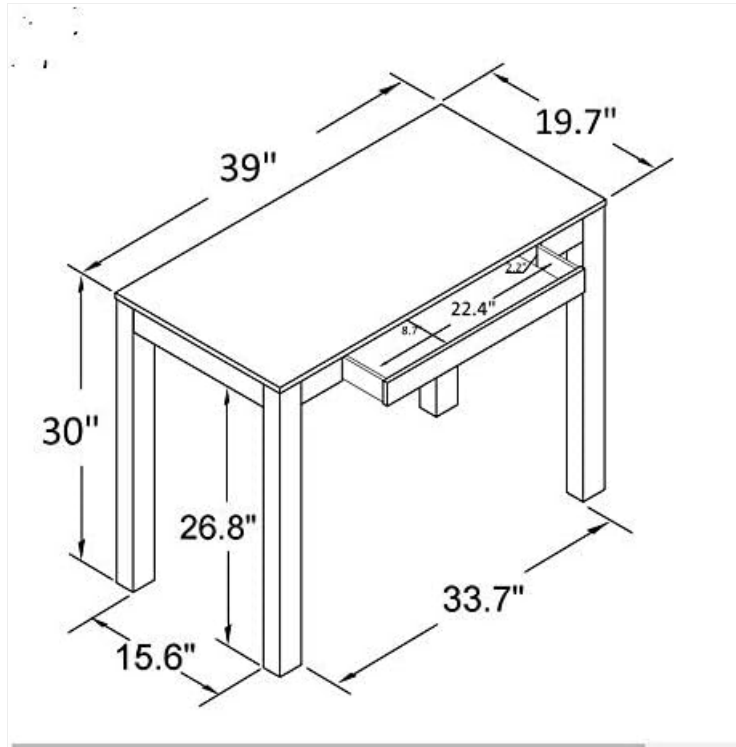


Figure 3: Dimensional drawing illustrating the key measurements of the Parsons Desk, including height, width, and depth.

Operating Instructions

The Ameriwood Home Parsons Desk is designed for versatile use in various settings, including home offices, living rooms, or bedrooms.

Desktop Surface: The spacious desktop provides ample room for a laptop, monitor, keyboard, mouse, documents, and other work essentials. Its smooth, laminated surface is easy to clean and maintain.

Storage Drawer: The desk features a small, central storage drawer. This drawer is ideal for keeping small office supplies such as pens, pencils, paper clips, sticky notes, and small electronic accessories neatly organized and out of sight. To open, gently pull the drawer handle. To close, push the drawer back until it is fully recessed.



Figure 4: Close-up view of the desk's integrated drawer, shown open with various office items stored inside.

Care and Maintenance

To ensure the longevity and appearance of your Ameriwood Home Parsons Desk, follow these simple care and maintenance guidelines:

- **Cleaning:** Wipe the desk surface and legs regularly with a soft, damp cloth. For stubborn marks, a mild, non-abrasive cleaner can be used. Avoid harsh chemicals, abrasive cleaners, or solvents, as these can damage the finish.
- **Spills:** Immediately wipe up any spills to prevent liquid from penetrating the laminated surface or particleboard, which could cause swelling or discoloration.
- **Heat and Moisture:** Avoid placing hot items directly on the desk surface. Use coasters or protective pads under hot beverages, dishes, or electronic devices that generate heat. Protect the desk from excessive moisture and humidity.
- **Sunlight:** Prolonged exposure to direct sunlight can cause fading or discoloration. Position the desk away from direct sunlight or use blinds/curtains to protect it.
- **Weight Distribution:** Distribute weight evenly across the desktop. Avoid placing excessively heavy items on one side or corner. The desk is designed for typical office use and light decorative items.
- **Moving the Desk:** When moving the desk, always lift it rather than dragging it across the floor. Dragging can damage the legs, the floor, or compromise the structural integrity of the desk.
- **Hardware Check:** Periodically check and tighten all screws and fasteners to ensure the desk remains stable and secure. Do not overtighten.

Troubleshooting

This section addresses common issues you might encounter with your Ameriwood Home Parsons Desk.

Issue	Possible Cause	Solution
Desk feels wobbly or unstable.	Legs not fully tightened or uneven floor.	Ensure all leg attachment screws are securely tightened. If the floor is uneven, place shims under the appropriate leg(s) to level the desk.
Drawer sticks or does not slide smoothly.	Drawer glides are dirty or misaligned.	Clean the drawer glides with a dry cloth. Check for any obstructions. Ensure the drawer is properly seated on its glides.
Minor chips or scratches on the finish.	Normal wear and tear or minor impact during handling/assembly.	For minor chips, a furniture repair marker or touch-up paint matching the black finish can be used to conceal the damage.

Product Specifications

Manufacturer	Dorel Home Furnishings
Product Model Number	9178396
Product Dimensions	19.7 x 39 x 30 inches (50.04 x 99.06 x 76.2 cm)
Item Weight	30.14 lbs (13.67 kg)
ASIN	B007TLKUQW
Brand	Ameriwood Home
Shape	Rectangular
Desk Type	Computer Desk
Color	Black Oak Finish
Style	Desk
Top Material Type	Engineered Wood
Finish Type	Laminate
Features	Compact
Room Type	Office

Warranty and Support

Ameriwood Home stands behind the quality of its products. For specific warranty information regarding your Parsons Desk, please refer to the documentation included with your purchase or visit the official Ameriwood Home

website.

For customer support, assembly assistance, or to report missing/damaged parts, please contact Ameriwood Home customer service through their official channels. Have your model number (9178396) and purchase details ready for faster service.