

## Manuals+

[Q & A](#) | [Deep Search](#) | [Upload](#)

manuals.plus /

- › [sompex](#) /
- › [Sompex Toledo 91442 Pendant Lamp User Manual](#)

## sompex SO-91442

# Sompex Toledo 91442 Pendant Lamp User Manual

Model: SO-91442 | Brand: Sompex

## INTRODUCTION

---

This manual provides detailed instructions for the installation, operation, and maintenance of your Sompex Toledo 91442 Pendant Lamp. Please read this manual thoroughly before use to ensure safe and efficient operation.

The Sompex Toledo pendant lamp is a practical solution for spaces where the electrical connection is off-center or not directly above your table. This decentralized chandelier features a very good finish and millimeter-precise adjustability, making it a perfect match for the TOLEDO floor lamp. The Sompex Toledo decentralized pendant lamp will elegantly enhance your interior.

## PRODUCT OVERVIEW

---



Figure 1: Sompex Toledo 91442 Pendant Lamp. This image shows the complete pendant lamp assembly, featuring the adjustable arm, the ceiling mount, and the beige lampshade.

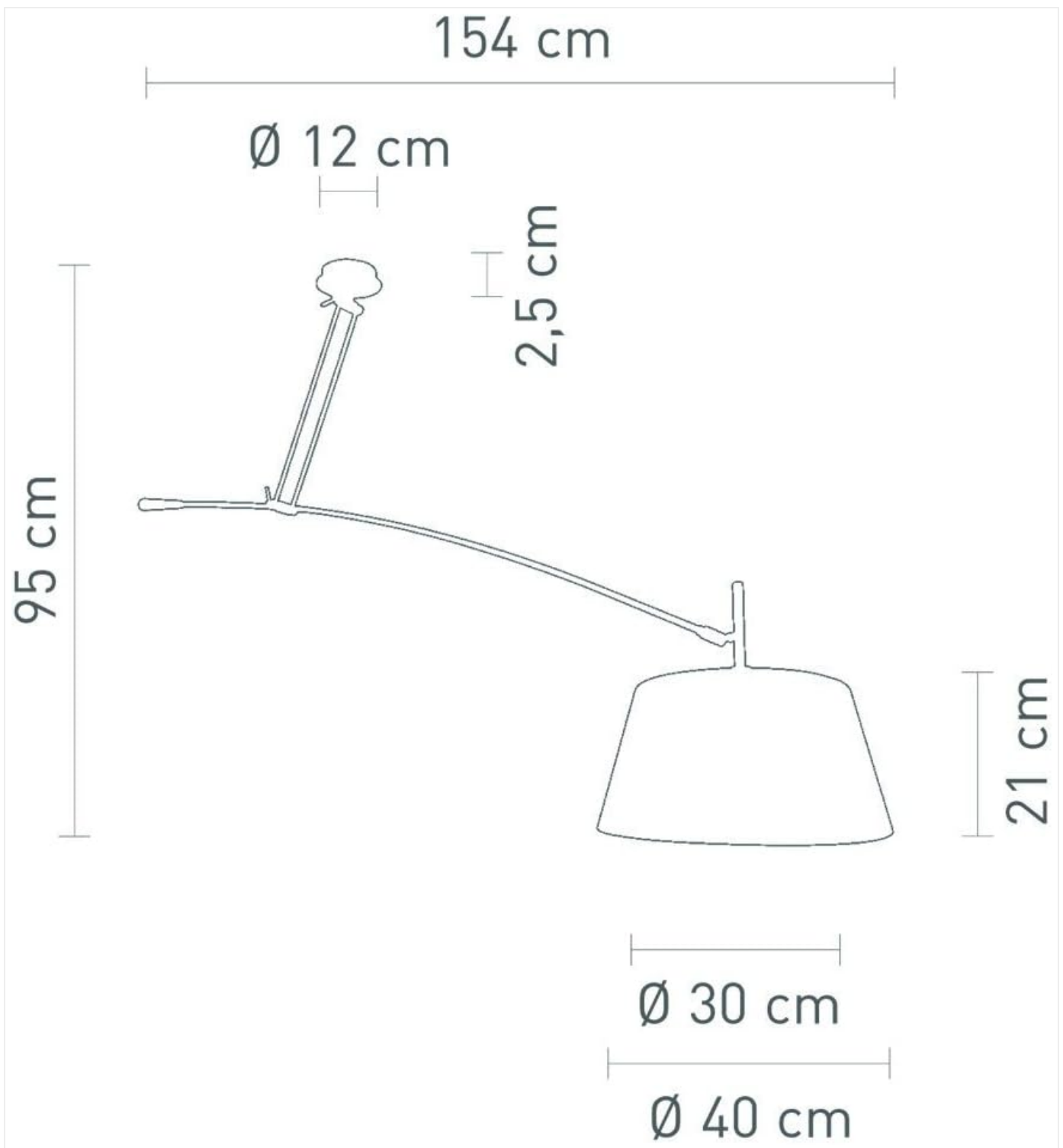


Figure 2: Dimensions of the Sompex Toledo 91442 Pendant Lamp. This diagram illustrates the key measurements: total height 95 cm, width 154 cm, lampshade height 21 cm, top diameter 30 cm, and bottom diameter 40 cm. The ceiling mount has a diameter of 12 cm and a height of 2.5 cm.



Figure 3: Energy Efficiency Label for Sompex Toledo 91442. This label indicates that the luminaire is suitable for light sources of energy classes A++ to E, according to regulation 874/2012.

## SETUP AND INSTALLATION

---

Before beginning installation, ensure the power supply is disconnected at the main circuit breaker to prevent electric shock.

1. **Unpack Components:** Carefully remove all parts from the packaging and check against the packing list to ensure all components are present and undamaged.
2. **Mounting the Ceiling Plate:** Secure the ceiling plate to the ceiling using appropriate screws and anchors suitable for your ceiling material. Ensure it is firmly attached.
3. **Electrical Connection:** Connect the lamp's electrical wires to your household wiring according to local electrical codes. Typically, this involves connecting live, neutral, and ground wires. If unsure, consult a qualified electrician.
4. **Assemble the Arm:** Attach the adjustable arm to the ceiling plate. Follow the specific instructions provided in the product packaging for securing the arm's pivot points.
5. **Attach the Lampshade:** Secure the lampshade to the end of the adjustable arm. Ensure it is stable and correctly oriented.
6. **Install Bulb:** Insert a compatible E27 bulb (max. 100 Watt, 230 V) into the lamp holder.
7. **Adjust Position:** Adjust the lamp's position and height as desired. The lamp is designed to be decentralized, allowing flexible placement over your desired area.
8. **Restore Power:** Once installation is complete and all connections are secure, restore power at the main circuit breaker.

## OPERATING INSTRUCTIONS

---

The Sompex Toledo 91442 Pendant Lamp is operated via a standard wall switch connected to your electrical circuit.

- **Turning On/Off:** Use the wall switch to turn the lamp on or off.

- **Adjusting Position:** The lamp features an adjustable arm. Gently move the arm to reposition the lampshade over your desired area. Ensure the arm's pivot points are not overly tightened to allow smooth movement, but secure enough to hold the position.
- **Bulb Replacement:** To replace the bulb, first ensure the lamp is turned off and disconnected from power. Allow the old bulb to cool before unscrewing it. Insert a new E27 bulb (max. 100 Watt, 230 V).

## MAINTENANCE

Regular maintenance will help prolong the life and maintain the appearance of your Sompex Toledo 91442 Pendant Lamp.

- **Cleaning the Lampshade:** Gently wipe the lampshade with a soft, dry cloth to remove dust. For more stubborn marks, a slightly damp cloth can be used, but ensure the lampshade is completely dry before turning the lamp on. Avoid abrasive cleaners.
- **Cleaning Metal Parts:** Wipe metal components with a soft, dry cloth. Do not use harsh chemicals or abrasive materials, as they may damage the finish.
- **Bulb Cleaning:** Ensure the lamp is off and cool before cleaning bulbs. Wipe bulbs with a dry, lint-free cloth. Do not use liquid cleaners directly on bulbs.
- **Periodic Checks:** Periodically check all connections and mounting points to ensure they remain secure.

## TROUBLESHOOTING

If you encounter issues with your lamp, refer to the following common problems and solutions:

Problem	Possible Cause	Solution
Lamp does not turn on.	No power supply; faulty bulb; loose connection.	Check circuit breaker. Replace bulb. Check electrical connections (consult electrician if unsure).
Light flickers.	Loose bulb; incompatible bulb; unstable power.	Tighten bulb. Ensure bulb wattage/type is correct. Consult electrician for power issues.
Lamp arm does not hold position.	Pivot points are too loose.	Gently tighten the screws at the pivot points of the adjustable arm until it holds position securely. Do not overtighten.

If the problem persists after attempting these solutions, please contact customer support.

## SPECIFICATIONS

Attribute	Detail
Brand	Sompex
Model Number	SO-91442
Color	Beige, Silver
Product Dimensions (L x W x H)	130 x 154 x 95 cm
Weight	3.9 Kilograms

Attribute	Detail
-----------	--------

Power	Max. 100 Watts
Voltage	230 Volts
Material	Metal
Bulb Type	E27 (not included)
Installation Type	Semi-flush mount
Usage	Indoor use, Interior decoration

## RECYCLING INFORMATION

---

Proper disposal and recycling of electrical and electronic equipment, including light bulbs, is important for environmental protection.

- **Lamp Disposal:** Do not dispose of this product with general household waste. It should be taken to an appropriate collection point for the recycling of electrical and electronic equipment.
- **Bulb Recycling:** Information on recycling light bulbs can be found through local recycling programs or specialized collection points. Many retailers also offer collection services for used bulbs.

For more information on recycling, please consult your local waste management authority.

## WARRANTY AND SUPPORT

---

Sompex products are manufactured to high quality standards. For information regarding warranty coverage, please refer to the warranty card included with your purchase or visit the official Sompex website.

For technical support, spare parts, or any inquiries not covered in this manual, please contact Sompex customer service:

- **Website:** [www.sompex.de](http://www.sompex.de)
- **Email:** [support@sompex.de](mailto:support@sompex.de)
- **Phone:** +49 (0) 211 99887-0

Please have your model number (SO-91442) and purchase date ready when contacting support.

