

Manuals+

[Q & A](#) | [Deep Search](#) | [Upload](#)

manuals.plus /

› [Laufen](#) /

› [Laufen PRO Toilet Seat User Manual](#)

Laufen 0080347

Laufen PRO Toilet Seat User Manual

Model: 0080347 | Brand: Laufen

INTRODUCTION

Thank you for choosing the Laufen PRO Toilet Seat. This manual provides essential information for the proper installation, operation, and maintenance of your new toilet seat. Please read this manual thoroughly before installation and keep it for future reference.



Image: Laufen PRO Toilet Seat, top view. This image shows the clean, white design of the toilet seat with its lid closed, highlighting its smooth surface and rounded rectangular shape.

SAFETY INFORMATION

Please observe the following safety precautions to prevent injury or damage to the product:

- Ensure all parts are present and undamaged before installation.
- Do not use abrasive cleaners or harsh chemicals, as they may damage the surface finish.
- Do not stand on the toilet seat or lid.

- Keep small parts away from children to prevent choking hazards.

SETUP AND INSTALLATION

Follow these steps for proper installation of your Laufen PRO Toilet Seat:

1. **Prepare the Toilet Bowl:** Ensure the toilet bowl's mounting holes are clean and free of debris. Remove any old toilet seat hardware.
2. **Identify Mounting Hardware:** Your toilet seat comes with specific mounting hardware. Familiarize yourself with the bolts, washers, and nuts.
3. **Position the Seat:** Place the Laufen PRO toilet seat on the toilet bowl, aligning the mounting holes on the seat with those on the bowl.
4. **Insert Bolts:** Insert the mounting bolts through the seat's hinges and down into the toilet bowl's mounting holes.
5. **Secure with Washers and Nuts:** From underneath the toilet bowl, place washers onto the bolts, followed by the nuts. Hand-tighten the nuts initially.
6. **Adjust and Tighten:** Adjust the seat's position to ensure it is centered and aligned with the bowl. Once aligned, fully tighten the nuts using an appropriate wrench. Do not overtighten.

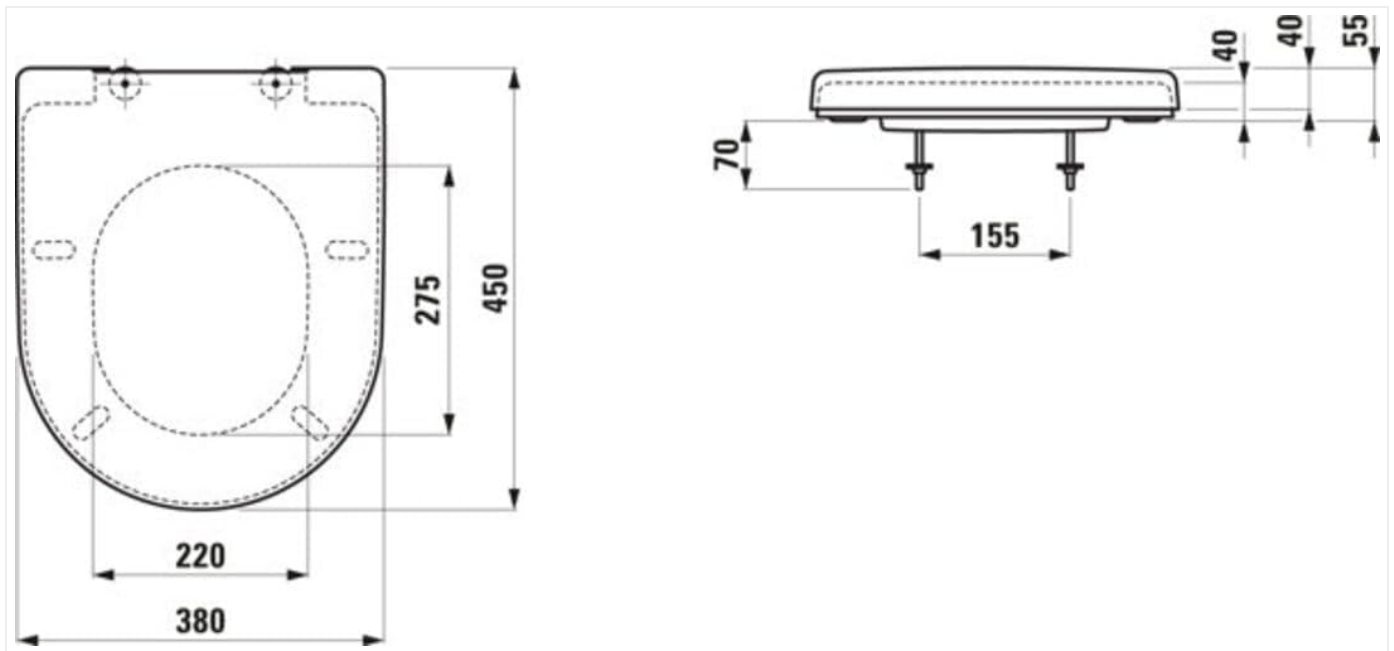


Image: Laufen PRO Toilet Seat dimensions and mounting diagram. This technical drawing illustrates the top and side views of the toilet seat, showing key measurements in millimeters, including the bolt spacing (155mm) and overall dimensions, which are crucial for proper installation and compatibility.



Image: Laufen PRO Toilet Seat installed on a toilet. This image displays the toilet seat mounted on a standard white toilet, providing a visual reference for the installed product.

OPERATING INSTRUCTIONS

The Laufen PRO Toilet Seat is designed for ease of use and features an automatic slow-close function for enhanced comfort and durability.

- **Lifting the Seat/Lid:** Simply lift the seat or lid manually to the desired open position.
- **Lowering the Seat/Lid (Automatic Slow-Close):** To close, gently push the seat or lid downwards. The automatic slow-close mechanism will engage, allowing the seat and/or lid to lower softly and quietly without slamming. Do not force the seat or lid down, as this can damage the slow-close mechanism.

MAINTENANCE AND CARE

Proper care will ensure the longevity and appearance of your Laufen PRO Toilet Seat.

- **Cleaning:** Clean the seat regularly with mild soap and water. Use a soft cloth or sponge.
- **Avoid Harsh Cleaners:** Do not use abrasive cleaners, scouring pads, strong acids, alkalis, or organic solvents, as these can damage the surface finish and the slow-close mechanism.
- **Drying:** After cleaning, wipe the seat dry with a clean, soft cloth to prevent water spots.
- **Hinge Care:** Periodically check the tightness of the mounting bolts and tighten if necessary to prevent wobbling.

TROUBLESHOOTING

If you encounter issues with your toilet seat, refer to the following common problems and solutions:

Problem	Possible Cause	Solution
Seat wobbles	Loose mounting bolts.	Tighten the mounting bolts underneath the toilet bowl.

Problem	Possible Cause	Solution
Lid/Seat slams shut	Slow-close mechanism damaged or obstructed.	Ensure no obstructions. If mechanism is damaged, contact customer support for replacement parts. Do not force.
Seat discolors or stains	Use of harsh cleaners or prolonged exposure to chemicals.	Clean only with mild soap and water. Discoloration from harsh chemicals may be permanent.

SPECIFICATIONS

Feature	Detail
Brand	Laufen
Model Number	0080347
Product Dimensions	14.96 x 17.72 x 2.36 inches
Item Weight	6.61 pounds
Color	White
Operation Mode	Automatic (Slow-Close)
Country of Origin	Austria

WARRANTY AND SUPPORT

Laufen stands behind the quality of its products. For warranty information, technical support, or to order replacement parts, please contact Laufen customer service through their official website or the retailer where the product was purchased.

Please have your model number (0080347) and purchase details ready when contacting support.

