



Manuals.plus /

- › **BOSS Audio Systems** /
- › BOSS Audio Systems MR6B Marine Speakers Instruction Manual

BOSS Audio Systems MR6B

BOSS Audio Systems MR6B Marine Speakers Instruction Manual

6.5 Inch, 180 Watts, 2-Way, Full Range, Weatherproof Coaxial Speakers

1. PRODUCT OVERVIEW

The BOSS Audio Systems MR6B marine speakers are designed for high-quality audio reproduction in marine environments. These 6.5-inch, 2-way, full-range coaxial speakers deliver 180 watts of peak power and are engineered with weatherproofing techniques to withstand the elements. They feature a polypropylene cone, treated cloth surround, and a Mylar dome tweeter for clear and consistent sound.

FULL RANGE MARINE SPEAKERS



WEATHER PROOF

Image 1: Front view of the MR6B Marine Speaker.

For a visual overview of the product, please watch the official video below:

Your browser does not support the video tag.

Video 1: Official product overview of the BOSS Audio Systems MR6B Marine Speakers, highlighting key features and design.

2. SAFETY INFORMATION

Please read all instructions carefully before installation and use. Retain this manual for future reference.

- **Professional Installation Recommended:** We strongly encourage professional installation of this product to ensure proper and safe functionality.
- **Wiring:** Ensure all wiring is correctly connected to prevent damage to the speakers or your audio system. Incorrect wiring can lead to malfunction or electrical hazards.
- **Volume Levels:** Prolonged exposure to high volume levels can cause hearing damage. Adjust volume to a comfortable level.
- **Proposition 65 Warning:** This product may contain chemicals known to the State of California to cause cancer and birth defects or other reproductive harm. For more information, visit

3. WHAT'S IN THE BOX

Upon opening your product packaging, please verify that all components are present and in good condition:

- MR6B Marine Speakers (Pair)
- Mounting Hardware (Screws, Clips)
- Instruction Manual (this document)

INCLUDED IN THE BOX



Image 2: Included components in the MR6B package.

4. SETUP AND INSTALLATION

Careful planning and precise execution are crucial for optimal performance and longevity of your marine speakers. Refer to the dimensions below for accurate mounting.

4.1 Mounting Dimensions

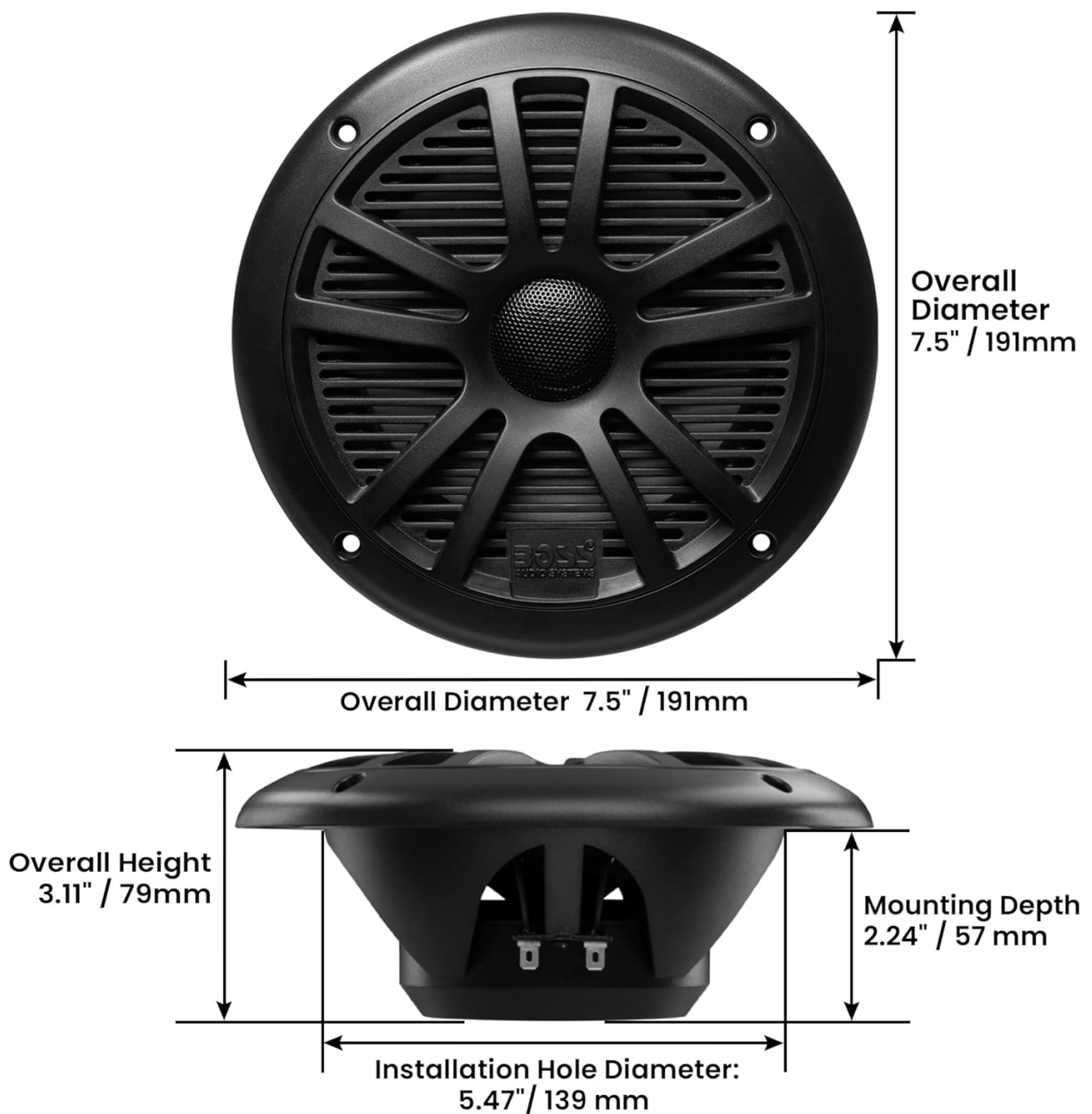


Image 3: MR6B Speaker Dimensions.

- **Overall Diameter:** 7.5 inches (191 mm)
- **Overall Height:** 3.11 inches (79 mm)
- **Mounting Depth:** 2.2 inches (56 mm)
- **Mounting Hole Diameter:** 4.75 inches (120.65 mm)

4.2 Installation Steps

1. **Choose Location:** Select a suitable mounting location on your boat or vehicle, ensuring sufficient clearance behind the speaker for the mounting depth.
2. **Prepare Opening:** Using the provided template (if applicable) or the specified mounting hole diameter, carefully cut the opening for the speakers.
3. **Connect Wiring:** Connect the positive (+) and negative (-) speaker wires from your audio system to the corresponding terminals on the back of each speaker. Ensure a secure connection.
4. **Mount Speakers:** Insert the speakers into the prepared openings. Secure them using the supplied mounting screws and clips. Do not overtighten.
5. **Test System:** Once installed, test the audio system to ensure both speakers are functioning correctly and producing clear sound.

5. OPERATING INSTRUCTIONS

The MR6B speakers are passive components of your audio system and do not require specific operating instructions beyond proper connection to an amplifier or head unit. Their operation is controlled by the connected audio source.

- **Power On/Off:** Speakers will power on and off with your connected audio system.
- **Volume Control:** Adjust volume using your head unit or amplifier. Avoid excessively high volumes to prevent distortion and potential speaker damage.
- **Audio Settings:** Utilize the equalizer and balance/fader controls on your audio source to optimize sound quality for your listening environment.

6. MAINTENANCE

To ensure the longevity and optimal performance of your MR6B marine speakers, follow these maintenance guidelines:

- **Cleaning:** Regularly wipe down the speaker grilles and surrounds with a soft, damp cloth to remove salt, dirt, and debris. Avoid harsh chemicals or abrasive cleaners.
- **Inspection:** Periodically inspect the speaker cones and surrounds for any signs of damage or wear. Check mounting screws for tightness.
- **Weather Protection:** While weatherproof, prolonged exposure to extreme conditions can still impact performance. Consider covering your boat or vehicle when not in use to provide additional protection.
- **Wiring Check:** Ensure all wiring connections remain secure and free from corrosion.

7. TROUBLESHOOTING

If you experience issues with your MR6B speakers, consult the following common troubleshooting steps:

- **No Sound:**
 - Check all wiring connections at both the speaker and the amplifier/head unit.
 - Ensure the audio source is powered on and playing.
 - Verify amplifier/head unit settings (e.g., volume, mute, input selection).
- **Distorted Sound:**
 - Reduce the volume level on your audio source.
 - Check for loose wiring connections.
 - Ensure the amplifier is not overdriven or underpowered for the speakers.
 - Inspect speaker cones and surrounds for physical damage.
- **Intermittent Sound:**
 - Check for loose or corroded wiring connections.
 - Ensure the audio source is stable and not experiencing interruptions.

If problems persist after attempting these steps, contact BOSS Audio Systems customer support or a qualified professional.

8. SPECIFICATIONS

Detailed technical specifications for the BOSS Audio Systems MR6B Marine Speakers:

Feature	Specification
Brand	BOSS Audio Systems
Model Number	MR6B
Speaker Type	Coaxial, 2-Way, Full Range
Speaker Size	6.5 Inches
Speaker Maximum Output Power	180 Watts (per pair)
Impedance	4 Ohms
Frequency Response	80 Hz - 20 kHz
System Sensitivity (1 W/1 m)	89 dB
Cone Material	Polypropylene
Voice Coil	Dual 1 inch
Surround Material	Treated Cloth
Basket Material	Plastic
Tweeter Type	Mylar Dome 1 inch
Weather Resistance	Weatherproof, Waterproof
Mounting Type	Flush Mount
Item Weight	3.34 Lbs. (pair) / 2.8 Pounds (unit)
Item Dimensions (D x W x H)	7.5"D x 7.5"W x 3"H

9. WARRANTY AND SUPPORT

BOSS Audio Systems stands behind the quality of its products. Your MR6B marine speakers come with a comprehensive warranty and dedicated support.

9.1 Warranty Information

BOSS Audio Systems provides a powerful **3-year platinum online dealer warranty**. This warranty is valid only on products sold and shipped by Amazon.com. This offer is not valid on purchases made from third-party marketplace sellers. We recommend registering your product online after purchase to ensure full warranty coverage.

3 Year Platinum Online Dealer Warranty*

We provide a powerful 3 Year Platinum Online Dealer Warranty so long as the purchase is made through Amazon.com. We strongly encourage professional installation of this product to ensure proper and safe functionality.



- * Register online after purchase
- 6.5" Dual Cone Full Range Marine Speakers
- 180 Watts MAX 90 Watts RMS Power Handling Per Pair
- 80 Hz to 20 kHz Frequency Response And 89dB Sensitivity
- Polypropylene Woofer Cone And Rubber Surround
- Weather Proof
- Sold In Pairs

Image 4: Warranty details and key product features.

9.2 Customer Support

For technical assistance, warranty claims, or any questions regarding your BOSS Audio Systems MR6B speakers, please visit the official BOSS Audio Systems website or contact their customer service department. Ensure you have your product model number (MR6B) and proof of purchase available when seeking support.