

Kanex WALLM-14-BLK-2018

Kanex Adjustable Tilting Wall Mount Bracket

Model: WALLM-14-BLK-2018

INTRODUCTION

This manual provides detailed instructions for the safe and proper installation and operation of your Kanex Adjustable Tilting Wall Mount Bracket. This mount is designed for secure attachment of 36" to 63" LCD and Plasma televisions, including the Samsung UN46D7000 46-inch LED HDTV. It features a robust alloy steel construction, supporting up to 165 lbs, and offers a variable tilt range of 0° to -15° for optimal viewing angles. Please read this manual thoroughly before beginning installation.

SAFETY INFORMATION

- **Weight Capacity:** Do not exceed the maximum weight capacity of 165 lbs (75 kg). Exceeding this limit can result in serious injury or damage to equipment.
- **Wall Structure:** Ensure the mounting surface can safely support the combined weight of the mount and the television. For wood stud installation, ensure studs are solid and located accurately. For concrete or brick walls, use appropriate anchors (not always included, verify package contents).
- **Professional Installation:** If you are unsure about the installation process or the suitability of your wall, consult a qualified professional installer.
- **Cable Management:** Route all cables carefully to prevent pinching or damage, which could lead to electrical hazards.
- **Children:** Keep children away from the installation area. Small parts may be a choking hazard.
- **Tools:** Use appropriate tools and wear safety gear, such as eye protection, during installation.

PACKAGE CONTENTS

Verify that all components are present before beginning installation. If any parts are missing or damaged, contact Kanex customer support.

- Wall Plate (1)
- TV Brackets (2)
- Mounting Hardware Kit (various screws, washers, spacers, anchors)

- Instruction Manual (this document)

SETUP AND INSTALLATION

Tools Required (Not Included): Pencil, Stud Finder, Drill, Drill Bits, Level, Phillips Head Screwdriver, Socket Wrench.

Step 1: Install the Wall Plate

The wall plate measures 32 inches wide by 8 7/8 inches high. It is designed to be mounted to two standard wood studs or a solid concrete/brick wall.

1. Determine the desired height for your television. Mark the center of the desired location on the wall.
2. Use a stud finder to locate the edges of two adjacent wood studs. Mark the center of each stud. For concrete/brick walls, proceed to step 3.
3. Position the wall plate against the wall, aligning its mounting holes with the marked stud centers or desired concrete drilling points. Use a level to ensure the wall plate is perfectly horizontal. Mark the drilling locations through the wall plate holes.
4. Drill pilot holes at the marked locations. For wood studs, use a smaller drill bit than the lag bolts. For concrete/brick, use a masonry drill bit of the specified size for the concrete anchors.
5. Attach the wall plate to the wall using the provided lag bolts and washers. Tighten securely, but do not overtighten.

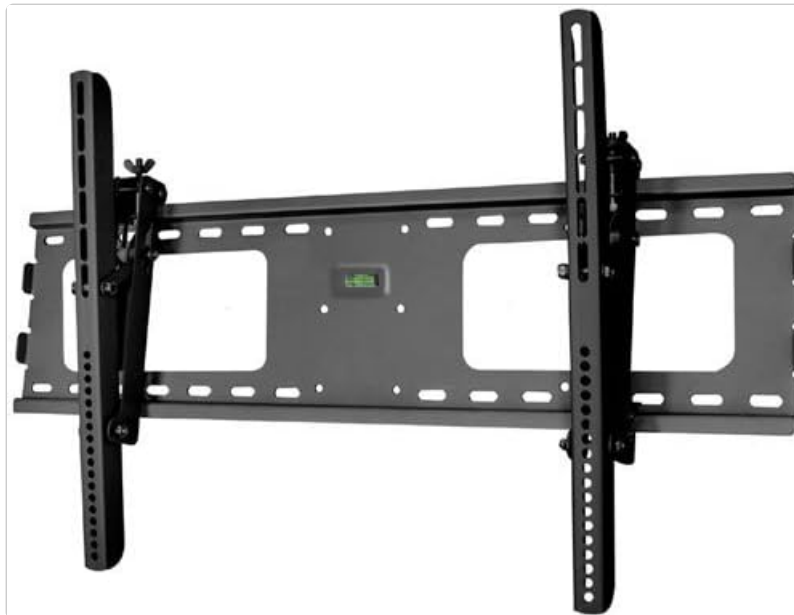


Image: Wall mount dimensions and VESA compatibility. The wall plate is 32 inches wide and 8 7/8 inches high. VESA compatibility ranges from 58mm (min) to 750mm (max) horizontally and 75mm (min) to 450mm (max) vertically. The image also illustrates the 0 to -15 degree tilt range.

Step 2: Attach TV Brackets to Television

This mount supports VESA standards up to 750 x 450 mm, accommodating most 36" to 63" LCD and Plasma TVs.

1. Carefully place your television face down on a soft, clean surface to prevent screen damage.
2. Identify the mounting holes on the back of your television. These are typically in a square or rectangular pattern.
3. Select the appropriate screws, washers, and spacers from the hardware kit that fit your TV's mounting

holes. Refer to your TV's manual for recommended screw sizes.

4. Attach the two TV brackets to the back of your television. Ensure the brackets are oriented correctly (hooks facing upwards) and are centered horizontally on the TV. Tighten all screws securely.

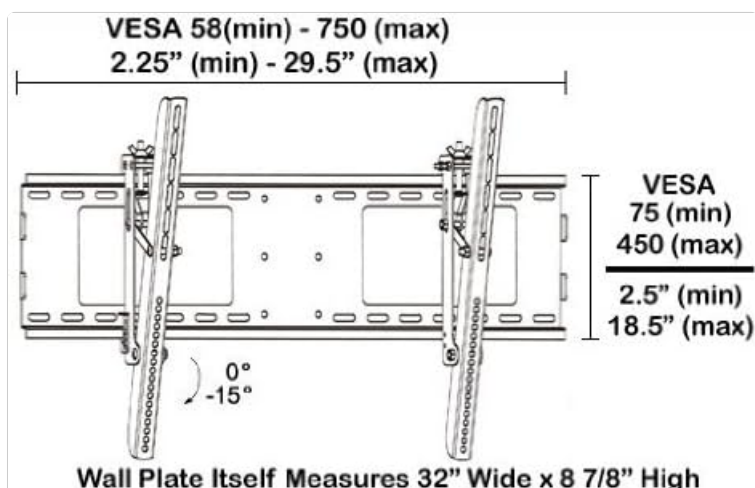


Image: Front view of the Kanex Adjustable Tilting Wall Mount Bracket. This shows the main wall plate with the two vertical TV brackets attached, illustrating the overall design and the integrated level bubble.

Step 3: Mount Television to Wall Plate

1. With assistance, carefully lift the television with the attached brackets.
2. Hook the top edges of the TV brackets onto the top rail of the wall plate.
3. Gently lower the television until the brackets fully engage with the wall plate. Ensure both brackets are securely seated on the wall plate.
4. Locate the safety screws or locking mechanisms on the bottom of the TV brackets. Tighten these screws to secure the television to the wall plate and prevent accidental dislodgement.

OPERATING

Adjusting Tilt Angle

The Kanex wall mount allows for a variable downward tilt from 0° to -15°.

1. To adjust the tilt, locate the tilt adjustment knobs or bolts on the side of each TV bracket.
2. Loosen these knobs/bolts slightly.
3. Carefully tilt the television to your desired viewing angle.
4. Once the desired angle is achieved, securely tighten the tilt adjustment knobs/bolts to lock the television in place.

MAINTENANCE

- **Cleaning:** Clean the mount with a soft, dry cloth. Avoid abrasive cleaners or solvents that could damage the finish.
- **Periodic Check:** Periodically check all screws and bolts to ensure they remain tight and secure. Over time, vibrations or movement can cause fasteners to loosen.
- **Damage:** If any part of the mount appears damaged or worn, do not use it. Contact Kanex customer support for assistance.

TROUBLESHOOTING

- **TV is not level:** Ensure the wall plate was installed using a level. If the wall plate is level, check if the TV brackets are evenly attached to the TV. Some mounts allow for minor post-installation leveling adjustments; refer to the installation steps.
- **TV feels unstable:** Recheck all mounting screws on both the wall plate and the TV brackets. Ensure they are tightened securely. Verify that the safety screws/locking mechanisms are engaged. Confirm the TV weight does not exceed the 165 lbs capacity.
- **Tilt adjustment is difficult:** Loosen the tilt adjustment knobs/bolts slightly more before attempting to adjust the angle. Ensure no cables are obstructing the movement.
- **Missing parts:** If any parts were missing from the package, contact Kanex customer support immediately. Do not attempt to substitute with non-approved parts.

SPECIFICATIONS

Model Number	WALLM-14-BLK-2018
Mounting Type	Wall Mount
Movement Type	Tilt
Material	Alloy Steel
Color	Black (scratch resistant finish)
Compatible TV Sizes	36" to 63" LCD and Plasma TVs
VESA Compatibility	Up to 750 x 450 mm
Maximum Weight Capacity	165 lbs (75 kg)
Tilt Feature	0° to -15° Downward Tilt
Product Dimensions	34 x 10 x 4 inches (86.36 x 25.4 x 10.16 cm)
Item Weight	13 pounds (5.9 kg)

WARRANTY AND SUPPORT

For warranty information, technical support, or to inquire about replacement parts, please contact Kanex customer service directly. Refer to the product packaging or the official Kanex website for the most current contact details.