



Manuals.plus /

› Duravit /

› Duravit SensoWash Starck Shower Toilet Seat User Manual

## Duravit 610000

# Duravit SensoWash Starck Shower Toilet Seat User Manual

Model: 610000

## INTRODUCTION

---

This manual provides comprehensive instructions for the installation, operation, and maintenance of your Duravit SensoWash Starck Shower Toilet Seat. Please read this manual thoroughly before installation and use to ensure proper function and longevity of the product.

### Key Features:

- Power-actuated lid and seat for automatic opening and closing.
- Integrated rear and front wash functions for personal hygiene.
- Oscillating wash spray for enhanced cleaning.
- Individual adjustment of water temperature, spray intensity, and nozzle position.
- Remote control included for convenient operation.



Image: The Duravit SensoWash Starck Shower Toilet Seat, showcasing its sleek, white design and integrated control unit.

## SAFETY INFORMATION

---

Adherence to the following safety guidelines is crucial for safe operation and to prevent damage to the product or injury to users.

- Ensure the product is installed by a qualified professional plumber to comply with local codes and warranty requirements.
- Do not attempt to disassemble or repair the unit yourself. Refer all servicing to authorized personnel.
- Keep the remote control and electrical components dry. Avoid direct water exposure.
- Do not use abrasive cleaners or harsh chemicals on the product surfaces.
- Ensure the power supply is disconnected before performing any maintenance or cleaning.

## SETUP AND INSTALLATION

---

### Pre-Installation Checklist:

- Verify all package contents are present and undamaged.
- Ensure adequate water pressure and electrical supply (120V AC) are available at the installation site.
- Confirm compatibility with your existing toilet bowl. Refer to the dimensions diagram.

### Installation Steps:

1. Turn off the water supply to the toilet and flush to empty the tank.
2. Remove the existing toilet seat and clean the toilet bowl rim.
3. Install the mounting brackets onto the toilet bowl according to the provided template.
4. Carefully slide the SensoWash Starck seat onto the mounting brackets until it clicks into place.
5. Connect the water supply hose from the toilet's fill valve to the SensoWash unit.
6. Connect the power cord to a grounded electrical outlet.

7. Slowly turn on the water supply and check for leaks.
8. Perform an initial function test as described in the operating section.



Image: The Duravit SensoWash Starck Shower Toilet Seat seamlessly integrated with a wall-mounted toilet in a modern bathroom setting.

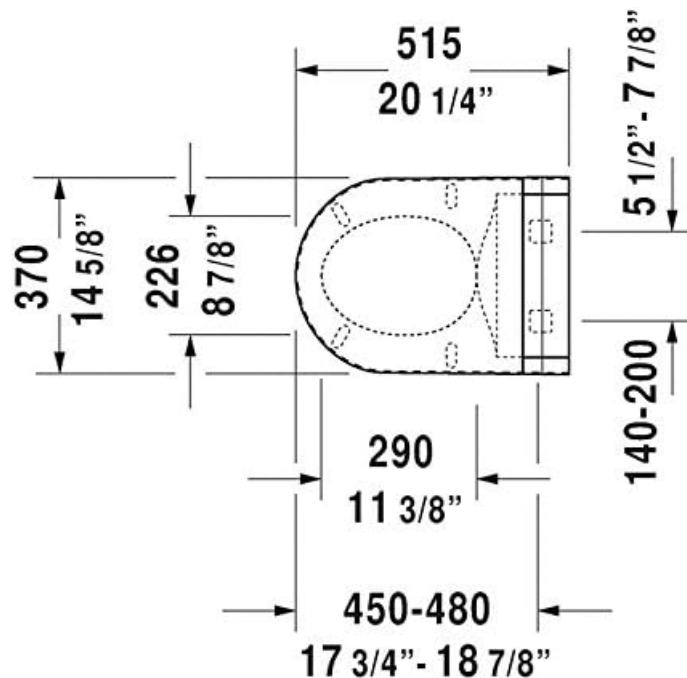


Image: Technical diagram illustrating the precise dimensions of the Duravit SensoWash Starck Shower Toilet Seat in both millimeters and inches, crucial for installation compatibility.

## OPERATING YOUR SENSOWASH STARCK

### Remote Control Overview:

The SensoWash Starck is operated primarily via its intuitive remote control. Familiarize yourself with the button layout and functions before use.

### Basic Functions:

- **Lid/Seat Actuation:** Press the designated button on the remote to automatically raise or lower the lid and seat.
- **Rear Wash:** Activates the rear cleansing spray.
- **Front Wash:** Activates the feminine cleansing spray.
- **Oscillating Wash:** Engages the oscillating movement of the spray nozzle for a wider cleansing area.
- **Water Temperature Adjustment:** Use the temperature controls to set your preferred water temperature.
- **Spray Intensity Adjustment:** Adjust the water pressure of the spray to your comfort level.
- **Nozzle Position Adjustment:** Fine-tune the position of the spray nozzle for optimal cleansing.

## CARE AND MAINTENANCE

Regular cleaning and proper maintenance will ensure the hygienic operation and extend the lifespan of your SensoWash Starck seat.

### Daily Cleaning:

- Wipe down the exterior surfaces with a soft, damp cloth and a mild, non-abrasive cleaner.
- Clean the spray nozzle before and after each use by activating the self-cleaning function (if available) or manually wiping.

### Deep Cleaning:

- Periodically disconnect power and water supply.
- Remove the seat from the toilet for thorough cleaning of the mounting area and underside.
- Use a soft brush to clean any hard-to-reach areas around the nozzle.
- Ensure all surfaces are dry before reattaching and restoring power/water.

## TROUBLESHOOTING GUIDE

This section addresses common issues you might encounter. For problems not listed here, please contact customer support.

| Problem  | Possible Cause  | Solution   |
|--|---|--|
| Lid/Seat motor not working or failing to lift/lower fully. | Motor malfunction; internal wear.                     | Check power connection. If issue persists, professional repair or replacement may be required. |
| No water spray or weak spray.                              | Water supply off; clogged nozzle; low water pressure. | Ensure water supply is on. Clean the nozzle. Check household water pressure.                   |
| Remote control not responding.                             | Dead batteries; remote out of range; interference.    | Replace batteries. Ensure remote is within operating range. Remove any obstructions.           |
| Unpleasant odor from dryer function (if applicable).       | Accumulation of debris or moisture.                   | Ensure proper ventilation. Clean the air intake/outlet areas.                                  |

## PRODUCT SPECIFICATIONS

| Specification       | Detail   |
|---------------------|--|
| Brand               | Duravit  |
| Model Number        | 610000   |
| Item Weight         | 13.2 pounds  |
| Product Dimensions  | 14.63 x 20.25 x 12 inches (approximate)                      |
| Material            | Plastic  |
| Color               | White Alpin  |
| Installation Method | Undermount   |
| Power Supply        | Standard household electrical (e.g., 120V AC for USA/Canada) |

## WARRANTY INFORMATION

The Duravit SensoWash Starck Shower Toilet Seat comes with a **Limited Lifetime Warranty**. This warranty covers manufacturing defects under normal use and service. Please retain your proof of purchase for any warranty claims. Note that the warranty may require professional installation by a qualified plumber to be valid.

## CUSTOMER SUPPORT

---

For technical assistance, troubleshooting beyond this guide, or warranty inquiries, please contact Duravit customer support. Refer to the official Duravit website for the most current contact information and service policies.