



Manuals.plus /

› DHP /

› DHP Full Metal Loft Bed (Model 5472196) Instruction Manual

DHP 5472196

DHP Full Metal Loft Bed (Model 5472196) Instruction Manual

Comprehensive guide for assembly, usage, and maintenance of your DHP Full Metal Loft Bed.

1. PRODUCT OVERVIEW

The DHP Full Metal Loft Bed is designed to maximize space in any room. This sturdy metal frame accommodates a full-size mattress and includes integrated safety features such as guard rails and a ladder. It is designed for use without a box spring.

- **Space-Saving Design:** Elevates the sleeping area, creating usable space underneath for furniture, storage, or a workstation.
- **Integrated Ladder:** Provides safe and easy access to the bed.
- **Full-Length Guardrails:** Ensures safety on both sides of the bed.
- **Metal Slat System:** Supports the mattress directly, eliminating the need for a box spring.
- **Durable Construction:** Made with a high-quality metal frame for stability and longevity.



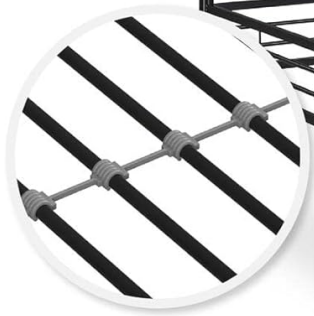
Image 1.1: The DHP Full Metal Loft Bed in a bedroom, showcasing its space-saving design with an area beneath the bed for seating or storage.

2. SAFETY INFORMATION

Please read and understand all safety warnings and instructions before assembling and using this product. Failure to follow these instructions can result in serious injury.

- **Weight Limit:** The maximum weight capacity for this loft bed is **300 lbs**. Do not exceed this limit.
- **Mattress Requirements:** Use only a full-size mattress. The mattress thickness must be greater than 4 inches but should not exceed 6 inches to ensure the effectiveness of the guardrails.
- **Guardrails:** Ensure all guardrails are securely installed and remain in place during use.
- **Ladder Safety:** Always use the ladder for entering and exiting the bed. Ensure the ladder is stable before climbing.
- **Assembly:** This product requires assembly. Ensure all parts are correctly installed and tightened according to the instructions. Periodically check all connections and tighten as necessary.
- **Children:** Loft beds are not recommended for children under 6 years of age.
- **Ventilation:** Do not hang items from any part of the loft bed that could obstruct airflow or pose a strangulation hazard.

**Full-length
guardrails**



**Secured
metal slats**

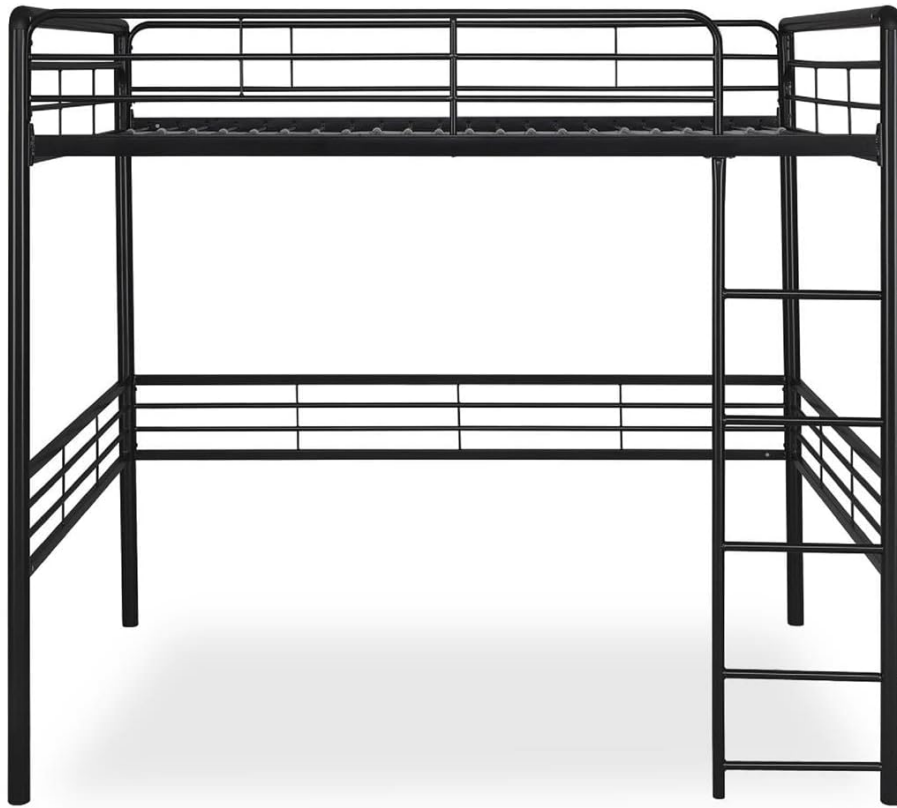


**Integrated
ladder**

Safety Features

***No box spring foundation required**

Image 2.1: Visual representation of the bed's safety features, including full-length guardrails, the integrated ladder, and the metal slat system.



Recommended Mattress

Thickness of the mattress must be greater than 4" but not exceed 6".

Image 2.2: Illustration detailing the recommended mattress thickness for optimal safety and guardrail effectiveness.

3. SETUP AND ASSEMBLY

Assembly of the DHP Full Metal Loft Bed requires careful attention to detail. It is highly recommended to have two people for assembly. Power tools can expedite the process, but hand tools are sufficient. Do not fully tighten bolts until the final steps.

3.1 Before You Begin

- **Unpack and Verify:** Carefully unpack all components and compare them against the parts list provided in your physical instruction manual. Ensure no parts are missing or damaged.
- **Hardware Identification:** The hardware pack is typically labeled. Avoid peeling off the entire backing to keep labels visible for screw identification. Note that some screw lengths may be very similar; refer to the manual's diagrams carefully.
- **Workspace:** Clear a sufficient workspace. A minimum area of 7x10 feet is recommended to allow for maneuvering parts during assembly.
- **Tools:** While hand tools are included, power tools (e.g., a drill with appropriate bits) can speed up assembly.

3.2 Assembly Steps (General Guidelines)

1. **Review Instructions:** Read through the entire physical instruction manual before starting. Pay attention to diagrams and the sequence of steps. Some parts depicted early may be attached in later steps.
2. **Initial Connections (Loose Fit):** Begin assembling the main frame components. For all initial connections, turn bolts only with fingers and do not tighten them more than halfway. This allows for flexibility to align holes in subsequent steps.
3. **Part Orientation:** Carefully match the real parts to the diagrams, ensuring correct orientation and placement of pre-drilled threaded bolt holes. Many parts are unique.
4. **Vertical Assembly:** Having a second person to hold the structure upright can significantly ease the assembly process, especially for larger components.
5. **Slats Installation:** When installing the metal slats, do not push them to one end. Hold them midway between the ends and rotate them down into their designated slots.
6. **Plastic Collars and Spacers:** Snap the plastic collars onto the slats. For the plastic spacers with jaws, they may be robust. If difficult to snap by hand, channel-lock pliers can be used to gently compress them onto the collar before popping them into place.
7. **Ladder Alignment:** In the final steps, particularly when attaching the ladder, you may need to slightly loosen previously tightened bolts to ensure proper alignment of the ladder rungs with their holes.
8. **Final Tightening:** Once all components are loosely assembled and aligned, go back and systematically tighten all bolts securely. Do not overtighten.

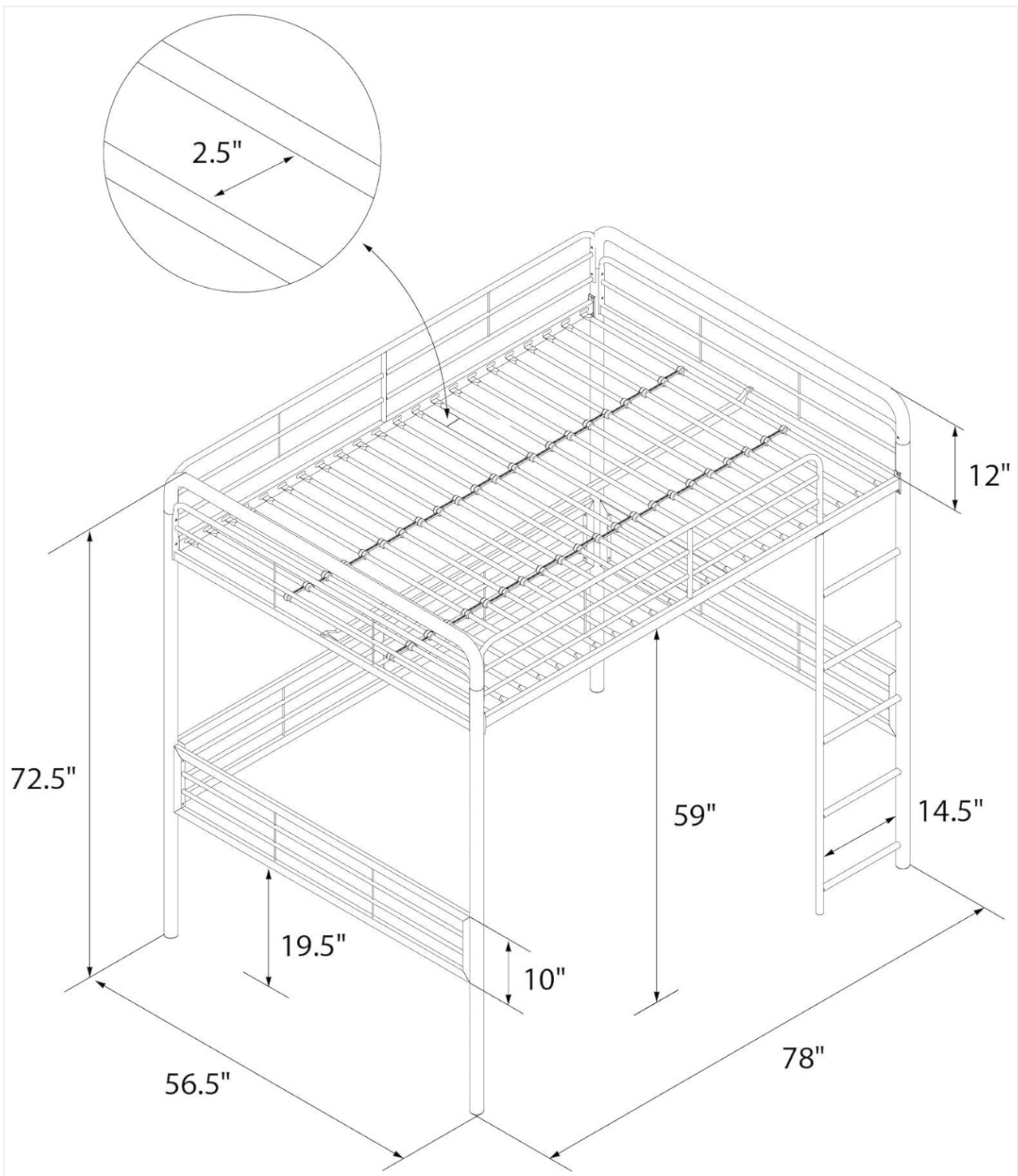


Image 3.1: Technical diagram illustrating the full dimensions and structural components of the loft bed, useful for assembly and planning.

4. OPERATING AND USAGE

This section provides guidelines for the proper use of your DHP Full Metal Loft Bed.

- **Mattress Placement:** Place a full-size mattress directly onto the metal slats. A box spring is not required or recommended.
- **Recommended Mattress Thickness:** For optimal safety and to ensure the guardrails function effectively, use a mattress with a thickness between 4 and 6 inches.
- **Access:** Always use the integrated ladder to safely access and exit the loft bed.
- **Under-Bed Space:** The area beneath the loft bed offers approximately 59 inches of clearance, suitable for desks, seating, or storage solutions.

5. MAINTENANCE

Regular maintenance will help prolong the life and ensure the safety of your loft bed.

- **Cleaning:** Wipe down the metal frame with a soft, damp cloth. Avoid abrasive cleaners or harsh chemicals that could damage the finish.
- **Hardware Check:** Periodically (e.g., every 3-6 months) inspect all bolts and connections. Tighten any loose hardware to maintain structural integrity and prevent wobbling.
- **Slat Inspection:** Ensure all metal slats are securely in place and not bent or damaged.
- **Guardrail Integrity:** Verify that guardrails are firmly attached and free from damage.

6. TROUBLESHOOTING

This section addresses common concerns and provides solutions for your DHP Full Metal Loft Bed.

Problem	Possible Cause	Solution
Bed wobbles or shakes	Loose hardware; inherent flexibility of tubular metal.	Ensure all bolts are securely tightened. Periodically re-tighten. Tubular metal frames may have some natural give; this is generally not a defect if all hardware is secure. Consider bracing to a wall if excessive.
Difficulty aligning parts during assembly	Bolts tightened too early; slight manufacturing tolerances.	Ensure all bolts are only finger-tight until the entire section is assembled. Loosen adjacent bolts if necessary to align holes, then tighten all securely.
Ladder rungs uncomfortable	Standard metal rung design.	This is a common characteristic of metal ladders. Consider adding padding or covers to the rungs for increased comfort, if desired.
Guardrails seem too low	Mattress is too thick.	Ensure your mattress thickness is between 4 and 6 inches. A thicker mattress will reduce the effective height of the guardrails, compromising safety.

7. SPECIFICATIONS

Brand	DHP
Model Number	5472196
Size	Full
Color	Black
Finish Type	Metal
Product Dimensions (L x W x H)	77.5" x 56.5" x 72.5"
Ground to Item Distance (Clearance)	59 Inches
Item Weight	81.3 pounds
Weight Limit	300 lbs
Compatible Mattress Size	Full
Assembly Required	Yes
Special Features	Built-in side ladder, Metal bed frame, Full-length guardrails, Metal slats

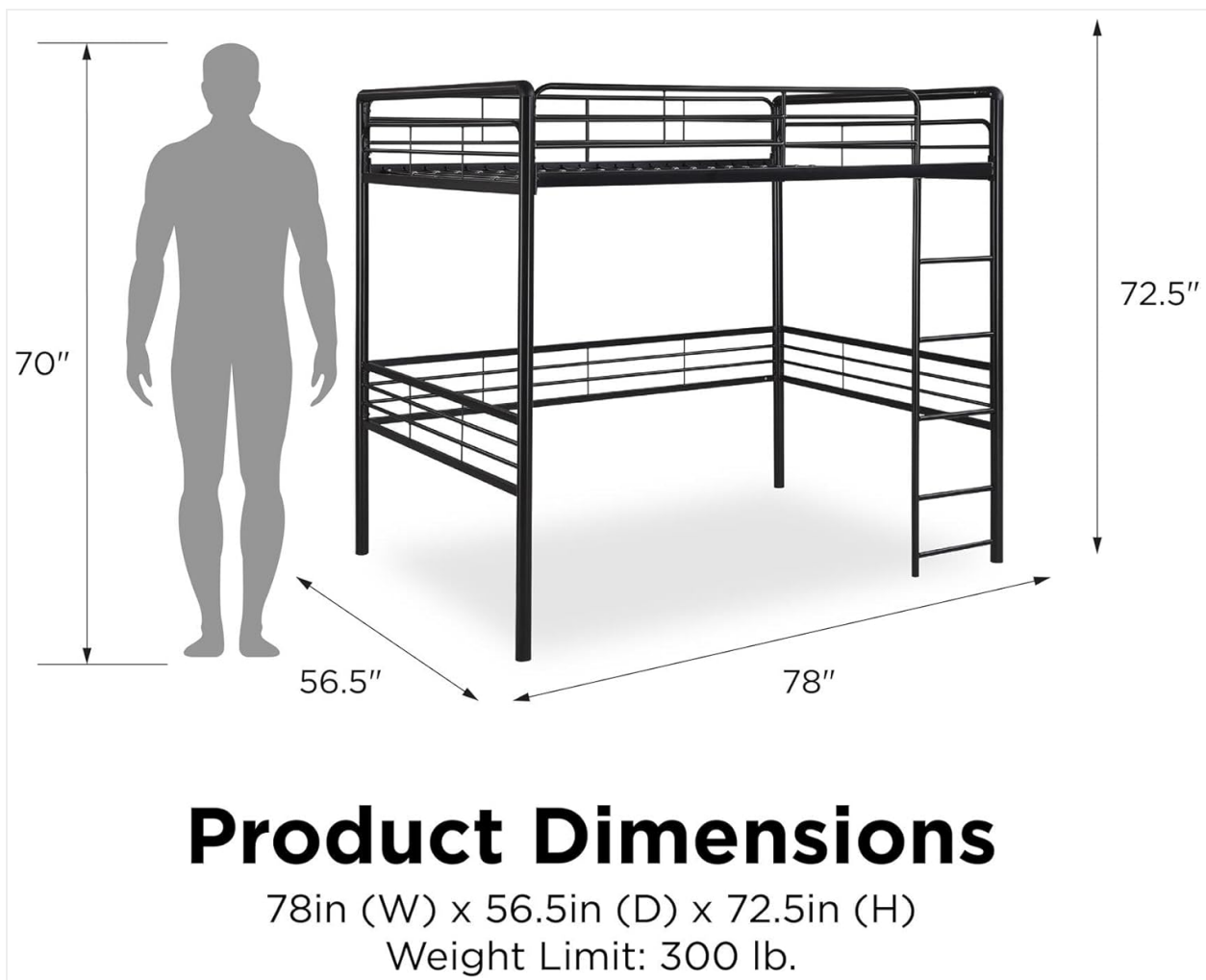


Image 7.1: Diagram illustrating the key product dimensions and weight limit for the DHP Full Metal Loft Bed.

8. WARRANTY AND SUPPORT

8.1 Manufacturer's Warranty

This DHP product is covered by a **1-Year Manufacturer's Warranty**. This warranty covers defects in materials and workmanship under normal use. Please refer to the warranty information included with your product packaging for full terms and conditions.

8.2 Customer Support

For assistance with assembly, missing parts, or any other product-related inquiries, DHP offers customer support 7 days a week. You can also order replacement parts online.

For more information and support, please visit the official DHP store or contact customer service:

DHP Brand Store: Visit DHP on Amazon

Customer Service: Refer to your product packaging or the DHP website for direct contact information.