

## Manuals+

[Q & A](#) | [Deep Search](#) | [Upload](#)

[manuals.plus](#) /

› [Truck-Lite](#) /

› [Truck-Lite 6050 Stop/Turn/Tail Lamp Instruction Manual](#)

## Truck-Lite 6050

# Truck-Lite 6050 Stop/Turn/Tail Lamp Instruction Manual

Model: 6050 | Brand: Truck-Lite

## 1. INTRODUCTION

This manual provides essential information for the proper installation, operation, and maintenance of your Truck-Lite 6050 Stop/Turn/Tail Lamp. Please read these instructions thoroughly before installation and retain this manual for future reference.



Figure 1: Front view of the Truck-Lite 6050 Stop/Turn/Tail Lamp.

## 2. SAFETY INFORMATION

- Always disconnect the vehicle's battery before performing any electrical work to prevent electrical shock or damage.
- Ensure all wiring connections are secure and properly insulated to prevent short circuits and corrosion.
- Verify that the lamp is correctly oriented and securely mounted to prevent detachment during vehicle operation.
- Consult a qualified technician if you are unsure about any part of the installation process.

## 3. PACKAGE CONTENTS

The package for the Truck-Lite 6050 Stop/Turn/Tail Lamp typically includes:

- One (1) Truck-Lite 6050 Stop/Turn/Tail Lamp

Note: Mounting hardware and wiring harnesses are typically sold separately or are part of the vehicle's existing system.

## 4. SPECIFICATIONS

| Feature                                    | Detail                                      |
|--|---|
| Brand                                      | Truck-Lite                                  |
| Model Number                               | 6050  |
| Product Type                               | Vehicle Light Assembly                      |
| Function                                   | Stop, Turn, Tail Lamp                       |
| Color                                      | Red   |
| Lens Color                                 | Red   |
| Lens Material                              | Polycarbonate                               |
| Vehicle Service Type                       | Truck                                       |
| Auto Part Position                         | Rear  |
| Approximate Product Dimensions (L x W x H) | 6.5 x 2.25 x 1.75 inches (Based on diagram) |
| Item Weight                                | 6.4 ounces                                  |
| Assembly Required                          | No  |
| Automotive Fit Type                        | Vehicle Specific Fit                        |

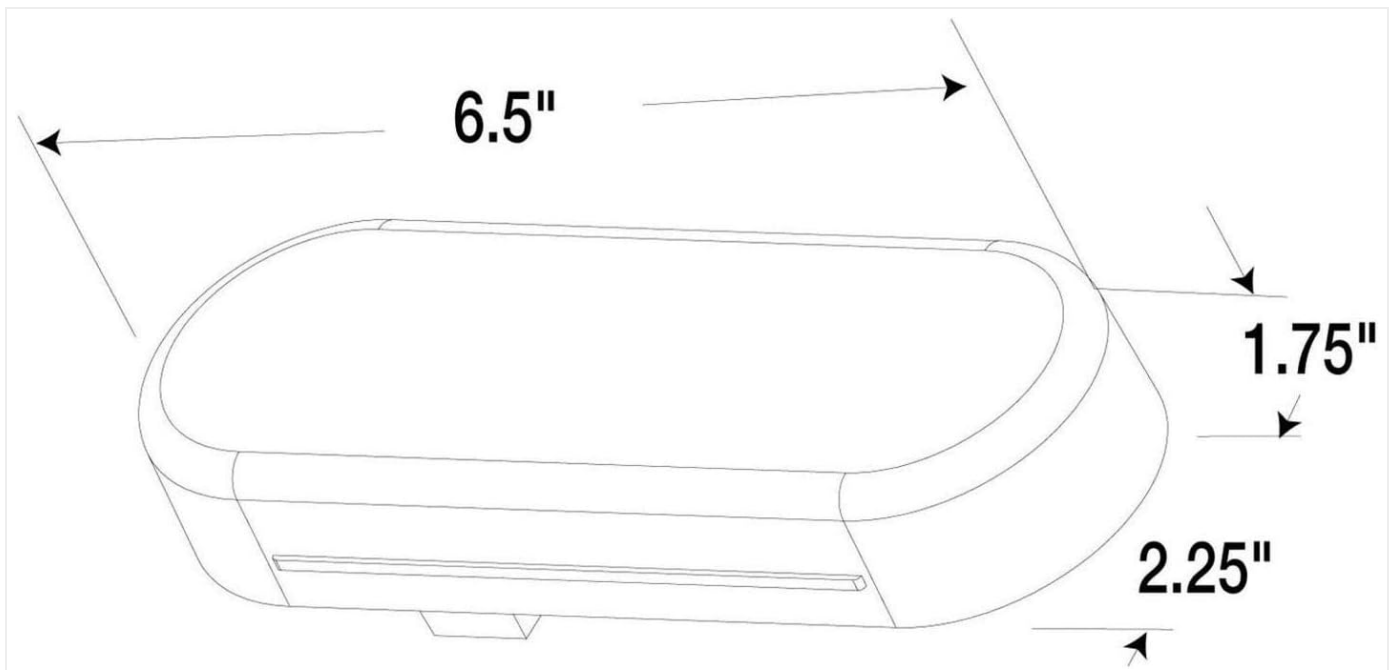


Figure 2: Approximate dimensions of the Truck-Lite 6050 Lamp.

## 5. INSTALLATION (SETUP)

The Truck-Lite 6050 lamp is designed for vehicle-specific fitment and typically replaces existing stop/turn/tail lamps. No assembly of the lamp itself is required.

## 5.1 Wiring Connections

The lamp features a standard three-pin connector for stop, turn, and tail light functions, along with a ground connection. Refer to your vehicle's wiring diagram for specific wire color codes.

1. **Ground (GRND):** Connect to the vehicle's chassis ground.
2. **Tail (TAIL):** Connect to the vehicle's tail light circuit.
3. **Stop & Turn (STOP & TURN):** Connect to the vehicle's combined stop and turn signal circuit.



Figure 3: Rear view of the lamp with wiring connections indicated.

## 5.2 Mounting

The lamp is designed for flush mounting into an appropriately sized opening. Ensure the lamp is seated firmly and securely in its mounting grommet (if applicable, typically sold separately) or housing to prevent vibration and moisture ingress.

## 6. OPERATION

Once properly installed and wired, the Truck-Lite 6050 lamp will function automatically with your vehicle's electrical system:

- **Tail Light Function:** Illuminates when the vehicle's headlights or parking lights are activated.
- **Stop Light Function:** Illuminates brightly when the vehicle's brake pedal is pressed.
- **Turn Signal Function:** Flashes when the corresponding turn signal is activated.

## 7. MAINTENANCE

The Truck-Lite 6050 lamp is designed for durability and minimal maintenance. Follow these guidelines to ensure optimal performance:

- **Cleaning:** Periodically clean the lamp lens with a soft cloth and mild soap and water to remove dirt and debris. Avoid abrasive cleaners that could scratch the polycarbonate lens.
- **Inspection:** Regularly inspect the lamp for any physical damage, loose connections, or signs of moisture ingress. Address any issues promptly.
- **No User-Serviceable Parts:** The lamp is a sealed unit. Do not attempt to disassemble it, as this will void any warranty and may damage the unit.

## 8. TROUBLESHOOTING

If you experience issues with your Truck-Lite 6050 lamp, consider the following troubleshooting steps:

- **Lamp Not Illuminating:**

- Check the vehicle's fuse for the lighting circuit.
- Verify all electrical connections (power and ground) are secure and free of corrosion.
- Ensure the lamp is receiving the correct voltage.

- **Dim or Intermittent Light:**

- Inspect for loose or corroded wiring connections, especially the ground wire.
- Check for insufficient voltage supply.

- **Incorrect Function (e.g., Brake Light Stays On):**

- Re-verify wiring connections against the vehicle's wiring diagram to ensure correct pin assignment.
- Check for a faulty brake light switch in the vehicle.

If troubleshooting steps do not resolve the issue, contact Truck-Lite customer support or a qualified automotive electrician.

## 9. WARRANTY AND SUPPORT

---

For information regarding warranty coverage, technical support, or replacement parts for your Truck-Lite 6050 Stop/Turn/Tail Lamp, please refer to the official Truck-Lite website or contact their customer service department directly. Keep your purchase receipt as proof of purchase.

**Manufacturer:** Truck-Lite Co.

**Website:** [www.truck-lite.com](http://www.truck-lite.com) (Example link, actual link may vary)

