

BLANCO 517156

BLANCO DALAGO 45 517156 Silgranit Kitchen Sink Instruction Manual

Model: 517156

- [Introduction](#)
- [Setup & Installation](#)
- [Operating Instructions](#)
- [Care & Maintenance](#)
- [Troubleshooting](#)
- [Specifications](#)
- [Warranty & Support](#)

1. INTRODUCTION

This manual provides essential information for the installation, operation, and maintenance of your BLANCO DALAGO 45 517156 Kitchen Sink. The DALAGO range is designed for optimal space utilization, featuring a modern aesthetic and durable SILGRANIT material.

The BLANCO DALAGO 45 517156 is a single-bowl kitchen sink made from SILGRANIT Puradur, a composite material consisting of up to 80% quartz sand. This material offers high resistance to scratches, impacts, and is easy to clean and maintain, making it ideal for daily kitchen use. The sink is designed for a 45 cm base cabinet and comes in an anthracite finish.



Image 1.1: Top-down view of the BLANCO DALAGO 45 517156 Silgranit Kitchen Sink in an anthracite finish, integrated into a kitchen countertop.

2. SETUP & INSTALLATION

Careful installation is crucial for the proper function and longevity of your BLANCO DALAGO 45 sink. This sink is designed for undermount installation in a 45 cm base cabinet.

2.1. Unpacking and Inspection

1. Carefully unpack all components and inspect for any damage.
2. Ensure all included components are present: the sink, waste kit with space-saving pipe, and 3 1/2" basket strainer with drain remote control (rotary switch).

2.2. Cabinet Preparation

- The sink requires a minimum 45 cm wide base cabinet for proper installation.
- Ensure the cabinet structure is sound and capable of supporting the weight of the sink and its contents.

2.3. Countertop Cutout

Refer to the provided diagrams for precise cutout dimensions. Accurate measurements are essential for a secure and watertight installation.

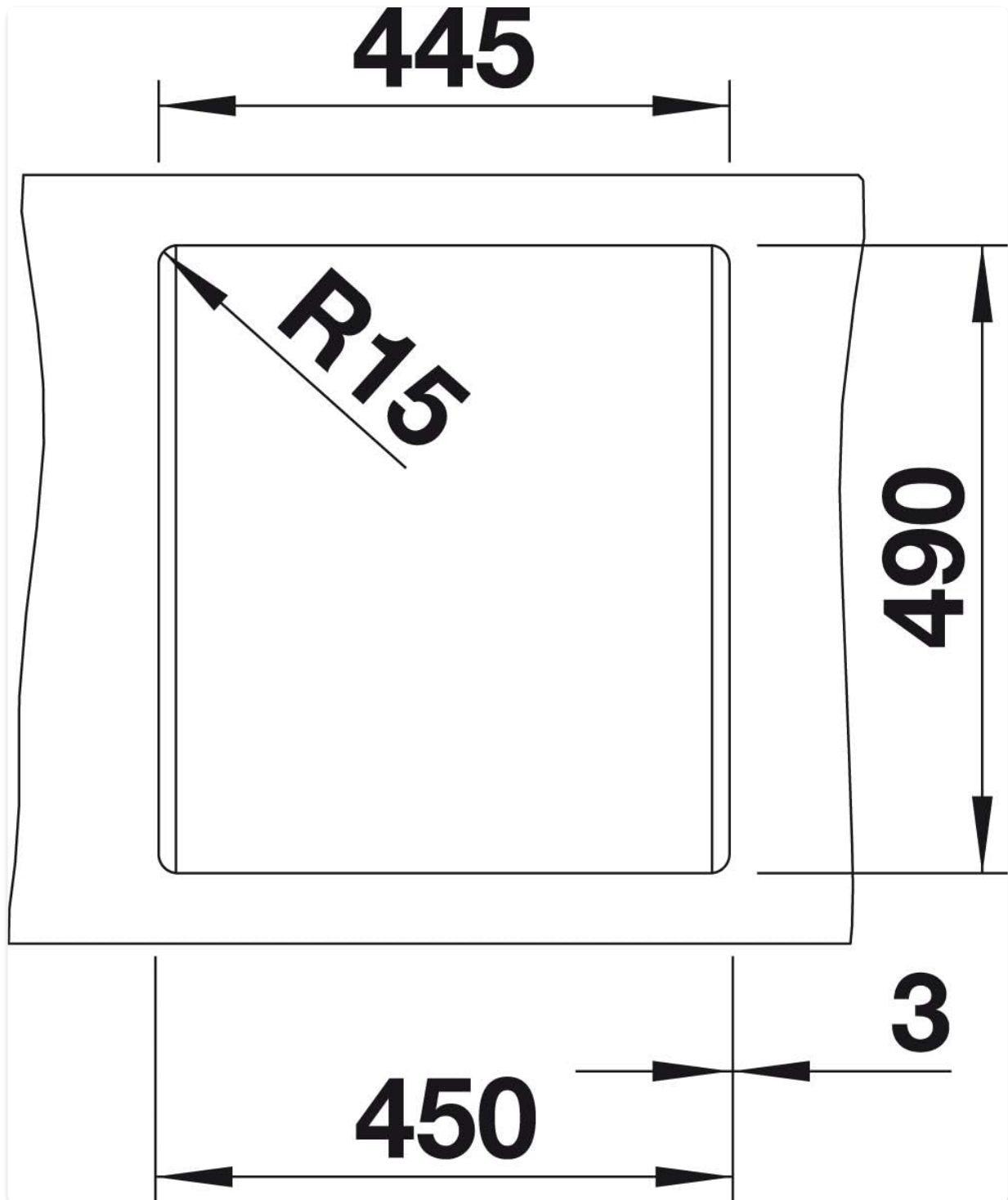


Image 2.1: Diagram illustrating the required countertop cutout dimensions for the BLANCO DALAGO 45 sink. The diagram shows a width of 445mm and a depth of 490mm with R15 corner radii.

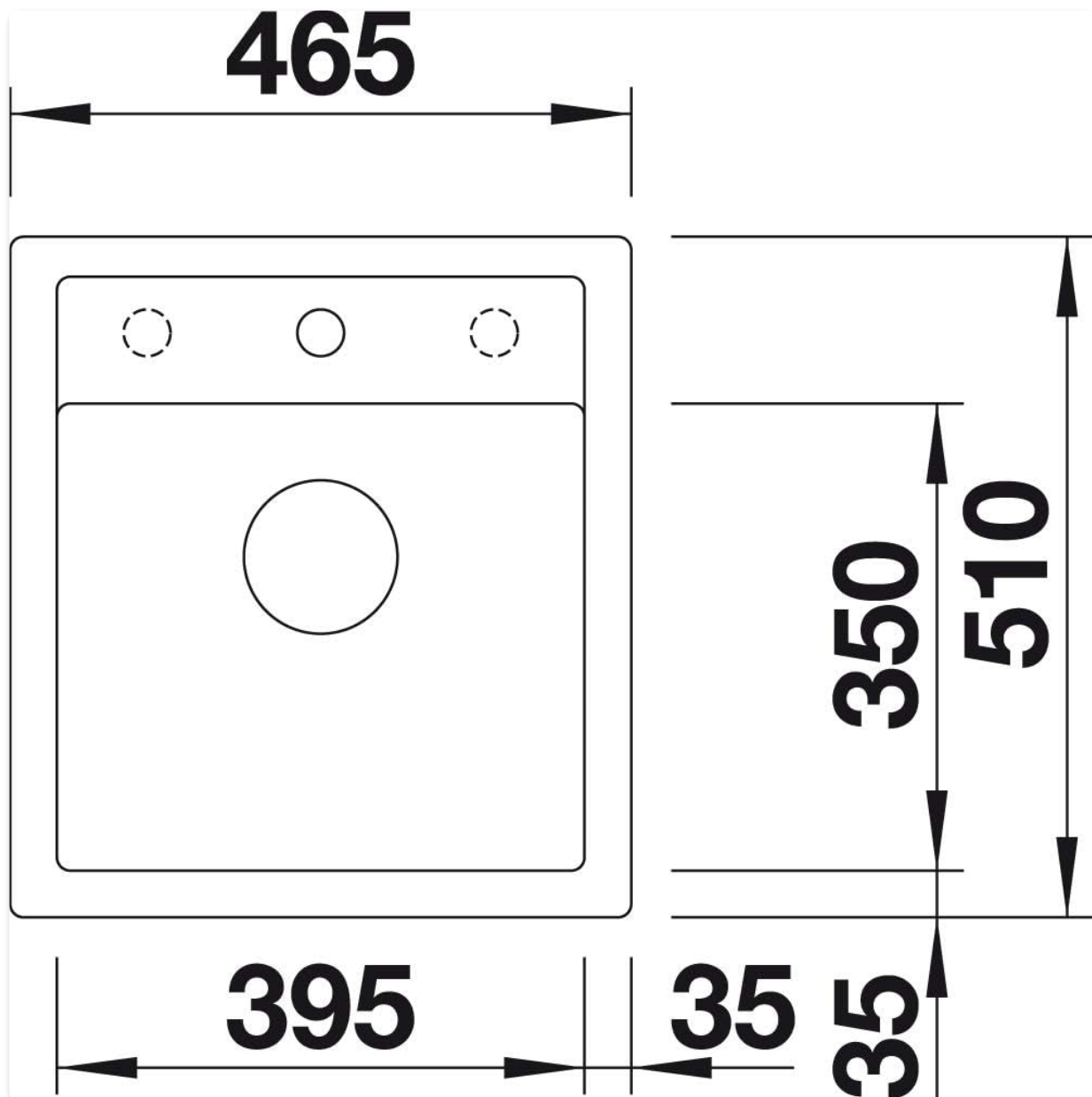


Image 2.2: Top-down dimensional drawing of the BLANCO DALAGO 45 sink, showing overall dimensions of 465mm width and 510mm depth, with the bowl measuring 395mm by 350mm.

2.4. Sink Installation

1. Apply a suitable sealant around the edge of the cutout.
2. Carefully position the sink into the cutout from below, ensuring it is centered and level.
3. Secure the sink using the provided mounting clips according to the manufacturer's instructions.

2.5. Drain and Waste Kit Connection

Assemble and connect the waste kit, including the space-saving pipe and 3 1/2" basket strainer. Install the drain remote control (rotary switch) in the designated hole on the sink.

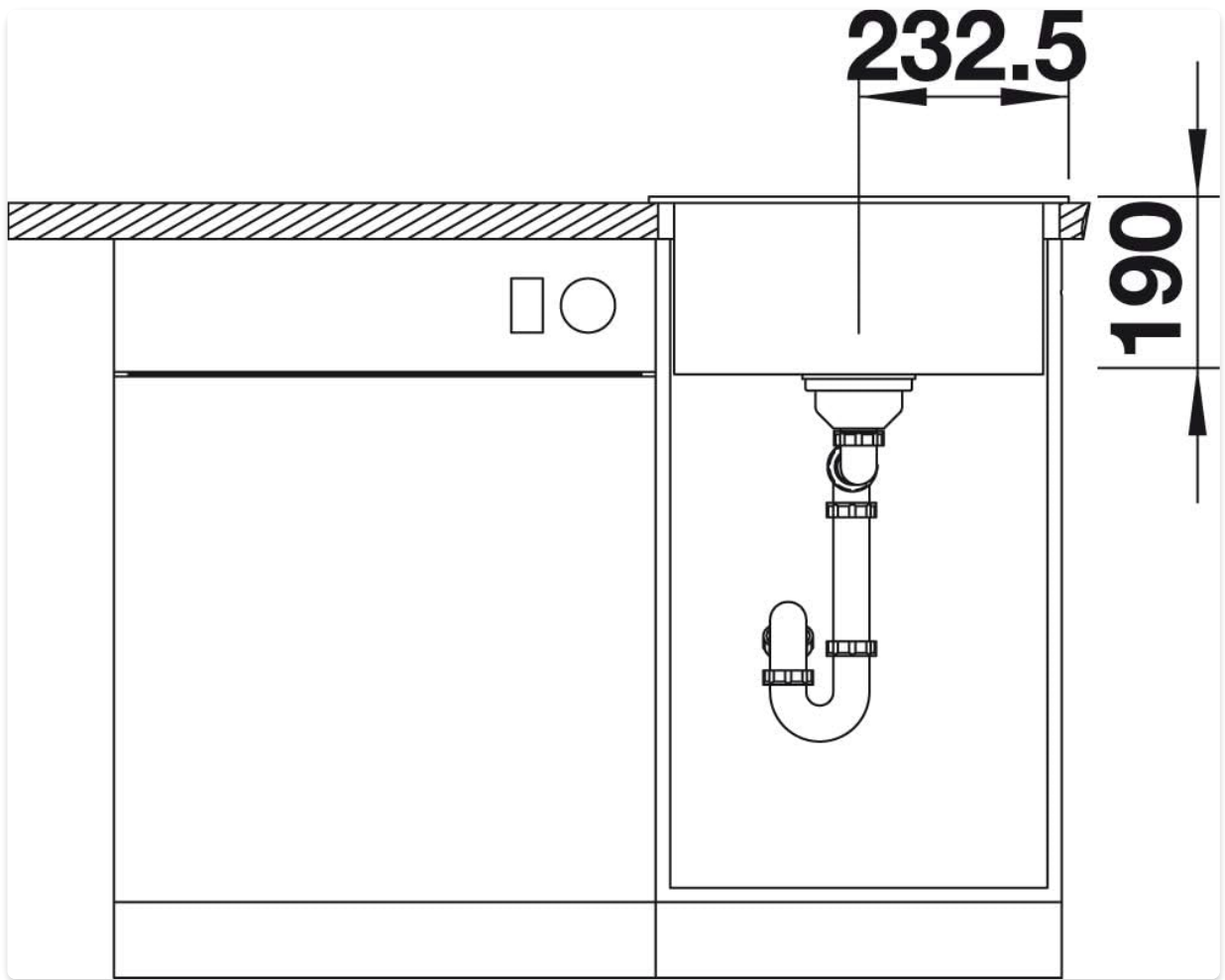


Image 2.3: Side view diagram showing the BLANCO DALAGO 45 sink installed, indicating a depth of 190mm from the countertop surface to the bottom of the sink bowl, and the connection of the drain pipe.

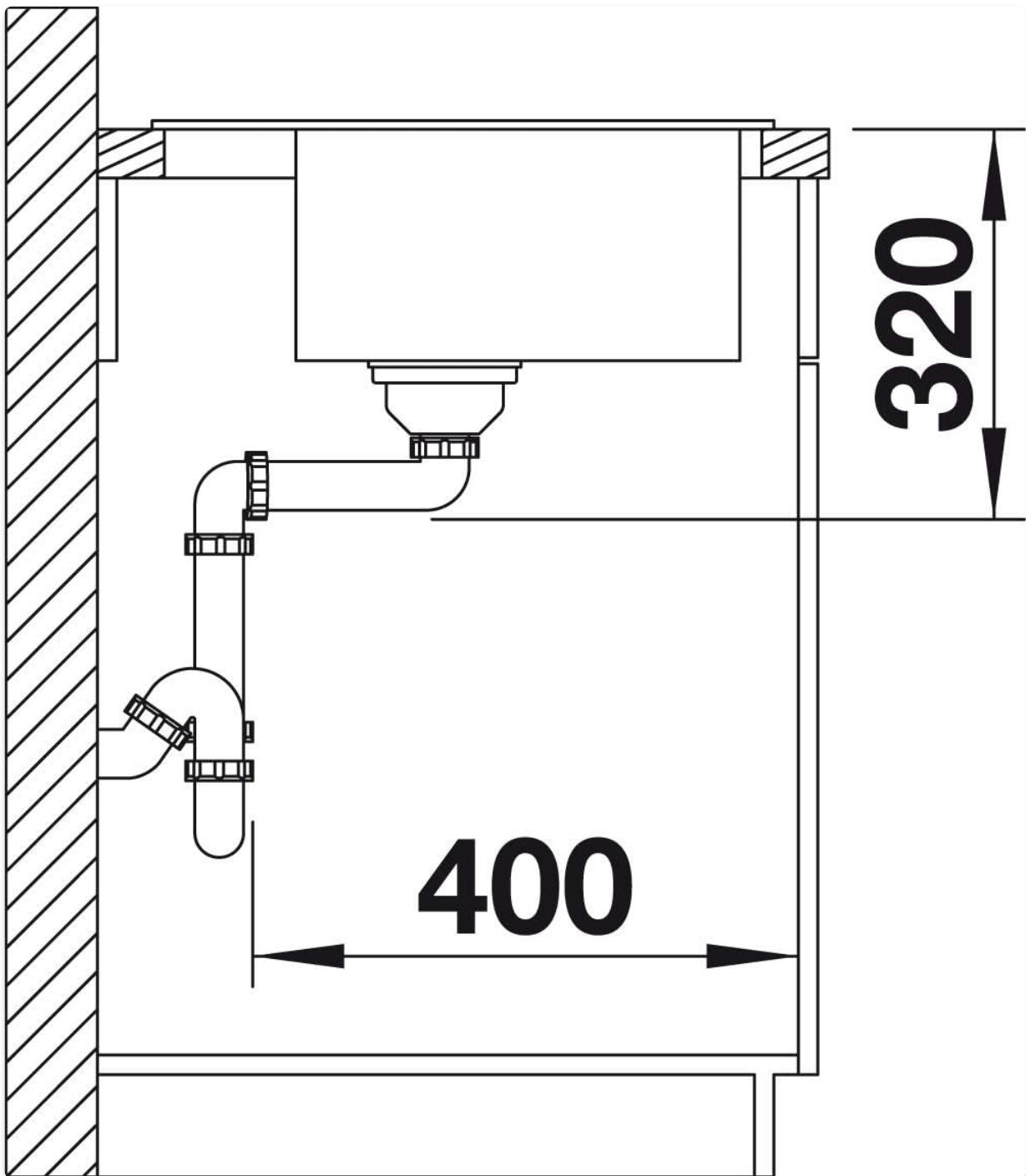


Image 2.4: Detailed side view diagram of the BLANCO DALAGO 45 sink's drain assembly, showing a total depth of 320mm from the top of the sink to the lowest point of the P-trap, and a horizontal pipe length of 400mm.

3. OPERATING INSTRUCTIONS

The BLANCO DALAGO 45 sink is designed for everyday kitchen tasks, offering a spacious bowl for washing and preparing food.

3.1. Water Flow

Control water flow and temperature using your installed kitchen faucet (not included). Ensure the faucet is properly sealed to the sink or countertop.

3.2. Drain Remote Control

The sink is equipped with a convenient drain remote control (rotary switch). Rotate the switch to open or close the basket strainer, allowing water to drain or to fill the sink.

3.3. Efficient Use

The design of the DALAGO 45 allows for efficient use of space, facilitating multiple tasks simultaneously. Optional accessories can further enhance functionality.

4. CARE & MAINTENANCE

The SILGRANIT material of your BLANCO sink is highly durable and easy to maintain. Regular cleaning will preserve its appearance and hygiene.

4.1. Daily Cleaning

- After each use, wipe the sink with a dry cloth to prevent water spots and mineral buildup.
- For general cleaning, use a mild dish soap and a soft sponge or cloth. Rinse thoroughly with water.

4.2. Stain Removal

- For stubborn stains, use a non-abrasive cleaner specifically designed for composite sinks or a diluted solution of white vinegar.
- Avoid harsh chemicals, abrasive cleaners, steel wool, or scouring pads, as these can damage the surface.

4.3. Preventing Damage

- While SILGRANIT is impact-resistant, avoid dropping heavy or sharp objects into the sink.
 - Do not place hot pots or pans directly onto the sink surface without protection, as extreme temperature changes can cause damage over time.
 - Avoid contact with strong acids or alkalis.
-

5. TROUBLESHOOTING

This section addresses common issues you might encounter with your kitchen sink.

5.1. Slow Draining

- **Cause:** Clogged basket strainer or drain pipe.
- **Solution:** Remove the basket strainer and clean any debris. If the issue persists, the drain pipe may require cleaning or a plumbing snake.

5.2. Leaks Around Drain or Faucet

- **Cause:** Loose connections or worn seals.
- **Solution:** Check all connections under the sink, including the waste kit and faucet lines. Tighten any loose fittings. Inspect seals and gaskets for wear and replace if necessary.

5.3. Water Spots or Stains

- **Cause:** Hard water deposits or food residue.
- **Solution:** Refer to the 'Care & Maintenance' section for cleaning instructions. Regular drying after use can prevent water spots.

6. SPECIFICATIONS

Feature	Detail
Brand	BLANCO
Model Number	517156
Material	Silgranit Puradur (up to 80% quartz)
Color	Anthracite
Installation Type	Undermount
Product Dimensions (D x W x H)	18.31" x 20.08" x 12.6" (46.5 cm x 51 cm x 32 cm)
Base Cabinet Width	45 Centimeters
Drain Type	Grid
Hole Count	1
Item Weight	10 Kilograms
Included Components	Waste kit with space-saving pipe, 3 1/2" basket strainer with drain remote control (rotary switch)

7. WARRANTY & SUPPORT

7.1. Warranty Information

BLANCO offers a 2-year EU spare part availability duration for this product. For specific warranty terms and conditions, please refer to the documentation provided with your purchase or visit the official BLANCO website.

7.2. Customer Support

If you require further assistance, have questions regarding installation, operation, or maintenance, please contact BLANCO customer service. Contact details can typically be found on the BLANCO official website or in your product packaging.

