

Manuals+

[Q & A](#) | [Deep Search](#) | [Upload](#)

manuals.plus /

› [Beko](#) /

› [Beko OIM 22500 XP Oven User Manual](#)

Beko OIM 22500 XP

Beko OIM 22500 XP Oven User Manual

Model: OIM 22500 XP

1. IMPORTANT SAFETY INFORMATION

Please read this manual carefully before installing and using your appliance. Keep this manual for future reference.

- **Electrical Safety:** Ensure the appliance is properly earthed. Do not use extension cords or multiple socket adapters. Disconnect from power before cleaning or maintenance.
- **Child Safety:** This appliance is not intended for use by persons (including children) with reduced physical, sensory or mental capabilities, or lack of experience and knowledge, unless they have been given supervision or instruction concerning use of the appliance by a person responsible for their safety. Children should be supervised to ensure that they do not play with the appliance.
- **Hot Surfaces:** The oven and its accessible parts become hot during use. Care should be taken to avoid touching heating elements. Children less than 8 years old shall be kept away unless continuously supervised.
- **Cleaning:** Do not use harsh abrasive cleaners or sharp metal scrapers to clean the oven door glass since they can scratch the surface, which may result in shattering of the glass.
- **Installation:** Installation and repair work must always be carried out by a qualified technician. Incorrect installation may cause harm and damage.

2. PRODUCT OVERVIEW

The Beko OIM 22500 XP is a built-in electric oven designed for modern kitchens, offering a range of cooking functions and a spacious interior.



Figure 2.1: Front view of the Beko OIM 22500 XP built-in oven, showing the control panel, digital display, and oven door with a large viewing window.

3. SETUP AND INSTALLATION

Proper installation is crucial for the safe and efficient operation of your oven. It must be installed by a qualified technician in accordance with local regulations.

3.1 Unpacking

- Remove all packaging materials from the oven.
- Check for any damage during transit. If damaged, do not install and contact your supplier.

3.2 Installation Dimensions

Ensure the cabinet opening meets the required dimensions for a secure fit and proper ventilation.

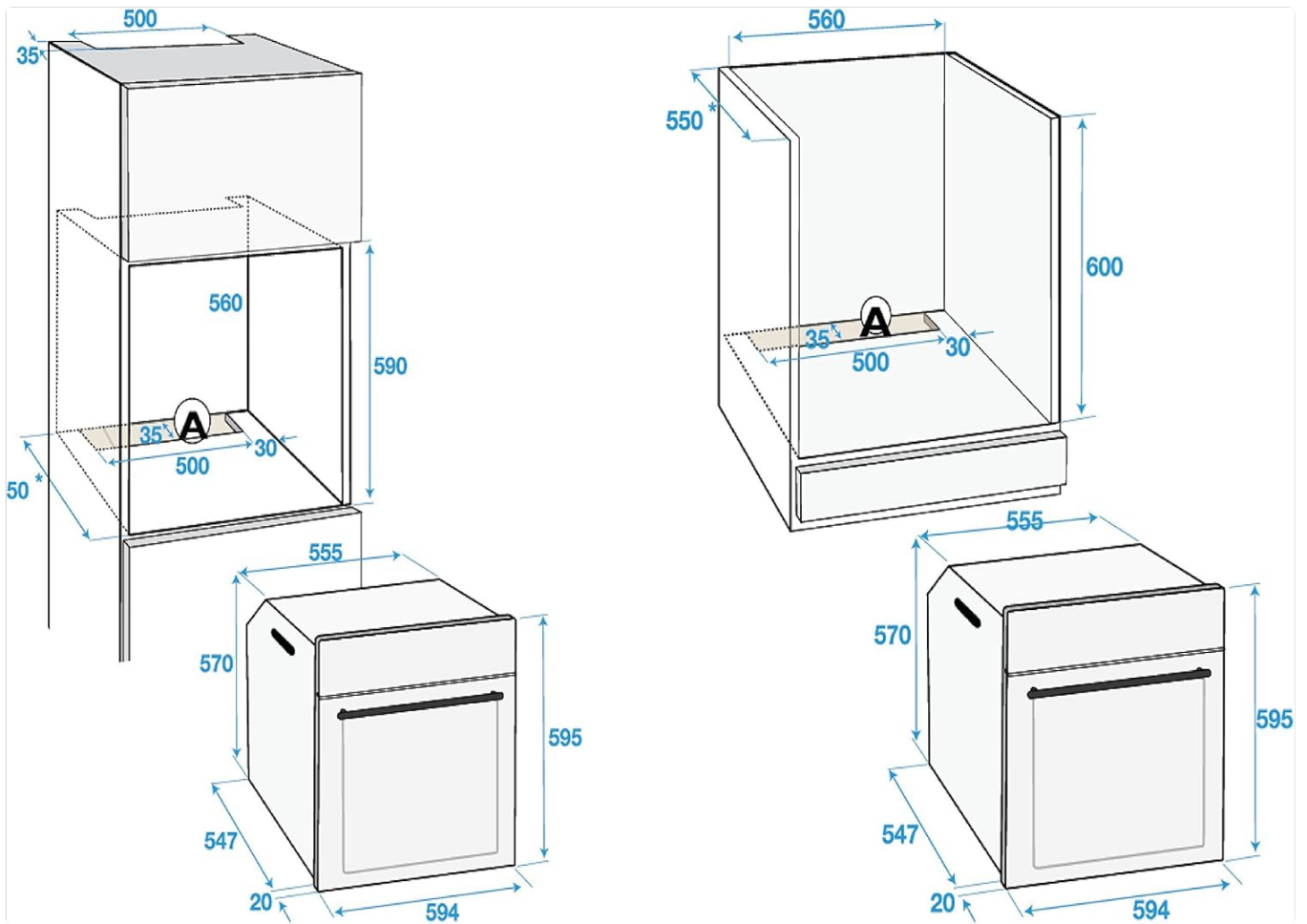


Figure 3.1: Side view installation diagram showing required cabinet dimensions for the Beko OIM 22500 XP oven, including depth and height specifications.

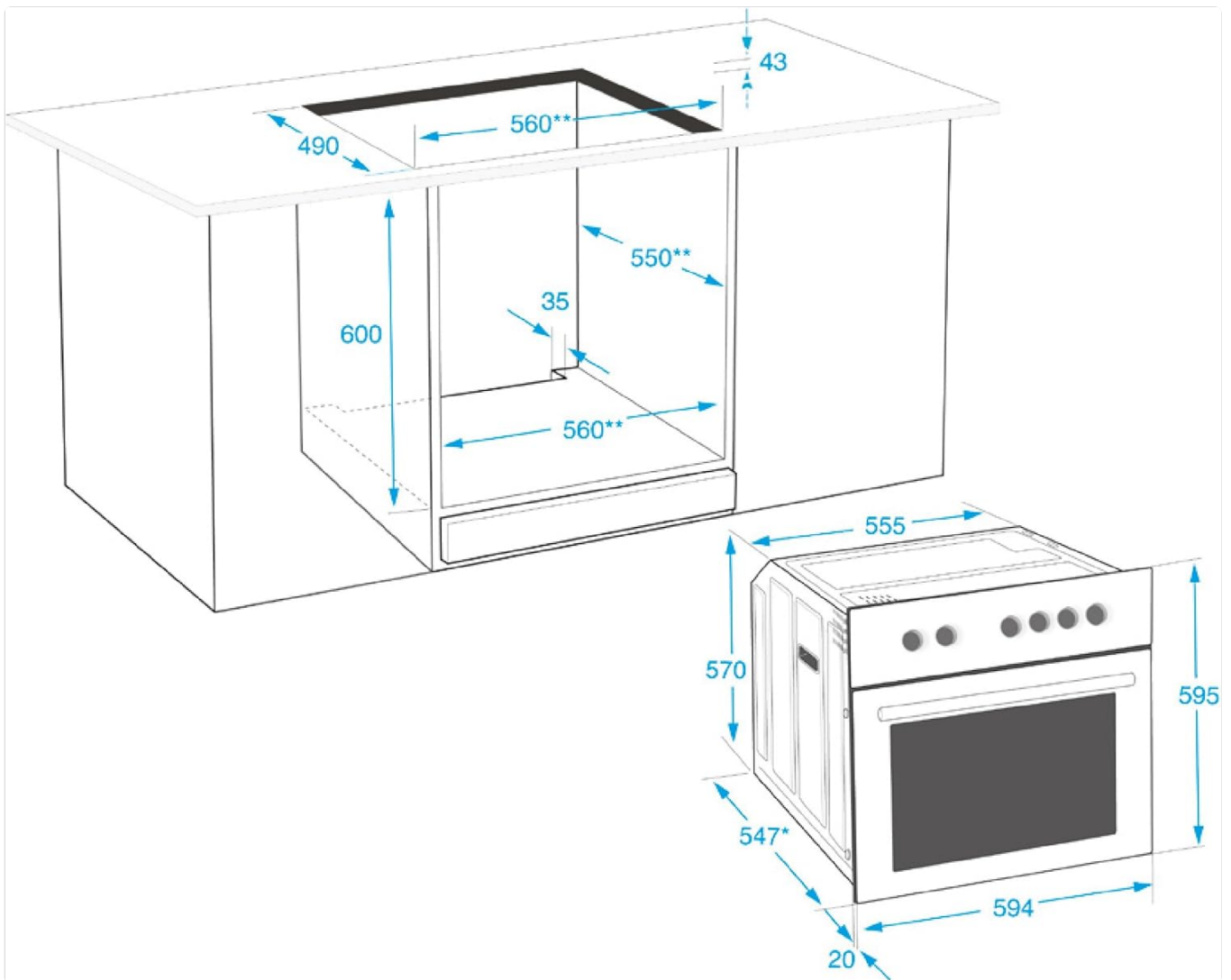


Figure 3.2: Front view installation diagram illustrating the required width and height of the cabinet opening for the Beko OIM 22500 XP oven.

3.3 Electrical Connection

- The oven must be connected to a suitable power supply by a qualified electrician.
- Ensure the voltage and frequency ratings on the appliance match your household supply.
- A dedicated circuit breaker is recommended.

4. OPERATING INSTRUCTIONS

Familiarize yourself with the control panel and various cooking functions of your Beko oven.

4.1 First Use

- Before first use, wipe the interior of the oven with a damp cloth.
- Heat the empty oven at maximum temperature for approximately 30 minutes to burn off any manufacturing residues. Ensure good ventilation during this process.

4.2 Setting the Time

- Upon first connection to power, the display will flash.
- Use the '+' and '-' buttons to set the current time.
- Press the clock button to confirm.

4.3 Cooking Functions

Turn the function selector knob to choose your desired cooking mode:

- **Static Cooking:** Top and bottom heating elements operate for traditional baking and roasting.
- **Fan Assisted Cooking:** Top and bottom elements with fan for even heat distribution, ideal for multiple dishes.
- **Grill:** Upper heating element for grilling toast, sausages, or browning dishes.
- **Full Grill:** Uses the entire upper heating element for larger grilling areas.
- **Bottom Heating:** Heat from the bottom element only, suitable for crisping bases.
- **Defrost:** Fan operates without heat to gently thaw frozen food.

4.4 Setting Temperature

Once a function is selected, turn the temperature control knob to set the desired temperature.

5. MAINTENANCE AND CLEANING

Regular cleaning and maintenance will ensure the longevity and optimal performance of your oven.

5.1 General Cleaning

- Always ensure the oven is cool and disconnected from the power supply before cleaning.
- Wipe the interior and exterior surfaces with a soft cloth and mild detergent.
- Do not use abrasive cleaners, scouring pads, or harsh chemicals.

5.2 Oven Door Cleaning

- For stubborn stains on the glass, use a specialized oven cleaner, following the product instructions.
- Do not immerse the door in water.

5.3 Replacing the Oven Lamp

- Ensure the oven is cool and unplugged.
- Unscrew the protective glass cover.
- Replace the old bulb with a new high-temperature resistant bulb (E14, 25W, 300°C).
- Screw the protective cover back on.

6. TROUBLESHOOTING

Before contacting service, please check the following common issues and solutions:

Problem	Possible Cause	Solution
Oven does not heat up.	No power supply; Oven not switched on; Timer not set.	Check power connection and circuit breaker; Ensure oven is switched on; Set the timer.
Lamp not working.	Lamp is faulty.	Replace the oven lamp (refer to Maintenance section).

Problem	Possible Cause	Solution
Food not cooking evenly.	Incorrect temperature or function; Overloaded oven; Door not closed properly.	Adjust temperature/function; Do not overload; Ensure door is fully closed.

7. SPECIFICATIONS

Technical specifications for the Beko OIM 22500 XP oven:

Feature	Detail
Brand	Beko
Model	OIM 22500 XP (8690842367168)
Color	Stainless Steel
Product Dimensions (WxDxH)	59.4 x 56.7 x 59.5 cm
Capacity	65 Liters
Item Weight	40 Kilograms
Heating Method	Convection
Fuel Type	Electric
Installation Type	Built-in

8. WARRANTY AND SUPPORT

Your Beko OIM 22500 XP oven comes with a standard manufacturer's warranty. Please refer to the warranty card included with your appliance for specific terms and conditions.

For technical assistance, spare parts, or to schedule a service appointment, please contact Beko customer support:

- **Beko Official Website:** www.beko.com
- Refer to your local Beko contact information provided in the warranty documentation.