

Manuals.plus /

› GROHE /

› GROHE Rapido T Universal Thermostatic Mixer 35500000 User Manual

GROHE 35500000

GROHE Rapido T Universal Thermostatic Mixer 35500000 User Manual

This manual provides detailed instructions for the installation, operation, and maintenance of the GROHE Rapido T Universal Thermostatic Mixer (Model 35500000).

1. INTRODUCTION

The GROHE Rapido T Universal Thermostatic Mixer is designed to provide a consistent water temperature, protecting users from sudden temperature fluctuations. This concealed thermostat is suitable for various applications, including integrated shower stop-valves, aqua dimmers for bath or head/hand shower diverters, or as a central thermostatic mixer for separate stop-valves. It incorporates GROHE TurboStat technology for instant temperature balancing.

2. PRODUCT OVERVIEW

The GROHE Rapido T Universal Thermostatic Mixer (Model 35500000) is a single-piece concealed thermostat unit. It is designed for wall-mount installation and features a chrome finish with a silver color. The unit is constructed from durable materials and includes a single handle for operation.

2.1. Included Components

- 1-Piece Concealed Thermostat

2.2. Key Features

- **Constant Water Temperature:** GROHE TurboStat technology ensures consistent water temperature.
- **Water-Saving Function:** Designed for reduced water consumption.
- **Concealed Installation:** For a clean and minimalist bathroom aesthetic.
- **Durable Construction:** Made with quality materials for long-lasting performance.



Figure 1: The GROHE Rapido T Universal Thermostatic Mixer concealed unit. This image displays the blue housing and brass internal components of the thermostatic mixer, ready for installation behind a wall.

3. SETUP AND INSTALLATION

Installation of the GROHE Rapido T Universal Thermostatic Mixer requires plumbing expertise. It is highly recommended that installation be performed by a qualified professional to ensure correct functionality and compliance with local plumbing codes.

3.1. Pre-Installation Considerations

- Ensure adequate space within the wall for the concealed unit, referring to the dimensions provided in the technical drawing.
- Verify that water supply lines (hot and cold) are accessible and can be connected to the mixer's G 1/2" inlets.
- Confirm that the wall structure can support the unit and any associated fixtures.

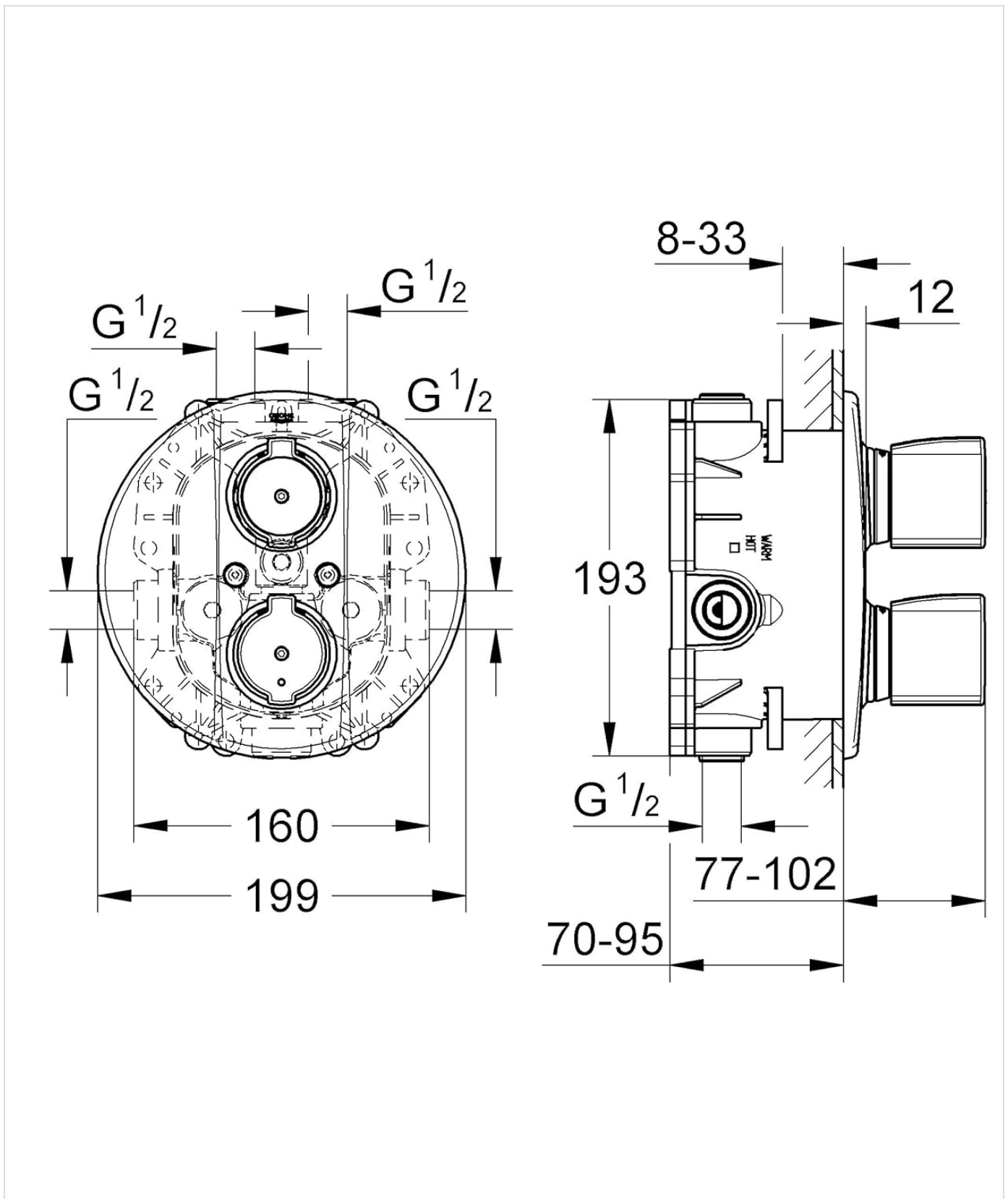


Figure 2: Technical drawing illustrating the dimensions and connection points of the GROHE Rapido T Universal Thermostatic Mixer. This diagram shows measurements in millimeters for width, height, and depth, along with G 1/2" connection sizes for water inlets and outlets.

3.2. Installation Steps (Professional Installation Recommended)

1. **Prepare Wall Cavity:** Create an appropriate opening in the wall according to the dimensions specified in the technical drawing (Figure 2).
2. **Mount Mixer Unit:** Securely mount the concealed mixer unit within the wall cavity. Ensure it is level and at the correct depth.
3. **Connect Water Supplies:** Connect the hot and cold water supply lines to the designated G 1/2" inlets on the mixer.
4. **Connect Outlets:** Connect the desired water outlets (e.g., shower head, hand shower, bath spout) to the mixer's G 1/2"

outlets.

5. **Test for Leaks:** Before sealing the wall, thoroughly test all connections for leaks.
6. **Install Trim Set:** Once the concealed unit is installed and tested, install the compatible GROHE trim set (sold separately) according to its specific instructions.

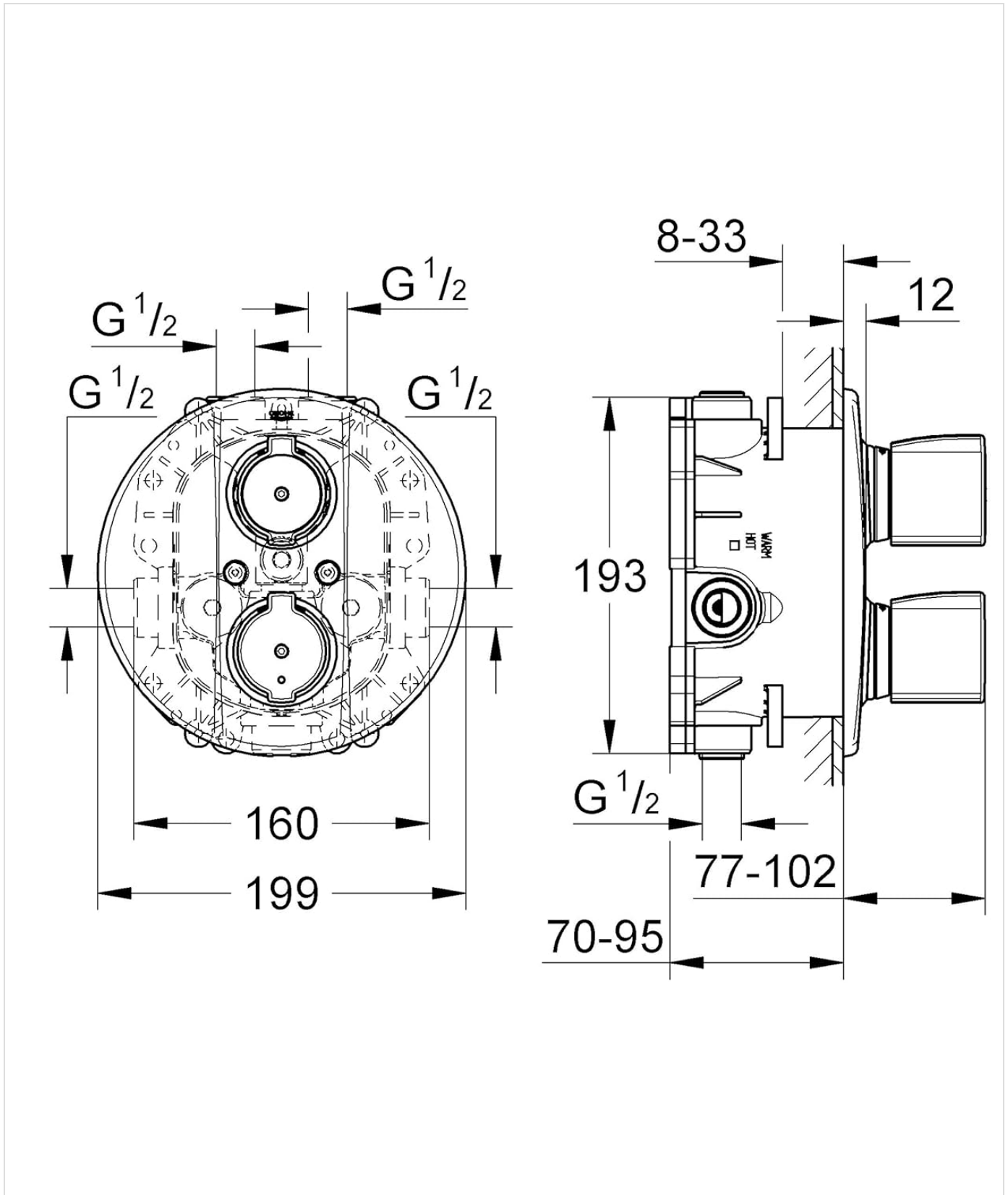


Figure 3: Exploded view diagram of the GROHE Rapido T Universal Thermostatic Mixer, showing individual components and their assembly. This image helps in identifying parts for installation or maintenance.

4. OPERATING INSTRUCTIONS

The GROHE Rapido T Universal Thermostatic Mixer is operated via a compatible trim set (not included with the concealed unit). The trim set typically includes a temperature control handle and a flow/diverter handle.

- **Temperature Control:** Rotate the temperature handle to adjust the water temperature. Most GROHE thermostatic mixers have a safety stop at 38°C (100°F) to prevent accidental scalding. To exceed this temperature, press the safety button and continue rotating the handle.
- **Flow Control/Diverter:** Use the flow control handle to turn the water on/off and adjust the flow rate. If your trim set includes a diverter, rotate or pull the handle to switch between different water outlets (e.g., overhead shower, hand shower, bath spout).

The GROHE TurboStat technology will maintain the selected temperature even if water pressure fluctuates in your household.

5. MAINTENANCE

Regular maintenance ensures the longevity and optimal performance of your GROHE Rapido T Universal Thermostatic Mixer.

- **Cleaning:** Clean the visible parts of the trim set with a soft cloth and mild soap. Avoid abrasive cleaners, scouring pads, or solvents, as these can damage the chrome finish.
- **Temperature Calibration:** If the water temperature does not match the setting on the handle, the thermostatic cartridge may need recalibration. Refer to the specific instructions for your trim set for this procedure, or contact a qualified plumber.
- **Filter Maintenance:** The mixer may contain small filters at the inlets to prevent debris from entering the cartridge. If water flow is reduced, these filters may need to be cleaned. This typically requires professional assistance.
- **Winterization (if applicable):** In areas prone to freezing temperatures, ensure proper winterization procedures are followed to prevent damage to the plumbing system and mixer.

6. TROUBLESHOOTING

This section addresses common issues you might encounter with your thermostatic mixer.

Problem	Possible Cause	Solution
Water temperature fluctuates or is incorrect.	Thermostatic cartridge needs calibration. Insufficient hot or cold water supply. Debris in filters.	Calibrate the thermostatic cartridge (refer to trim set manual or professional). Check water supply to the property. Clean inlet filters (professional service recommended).
Low water flow.	Clogged inlet filters. Low water pressure. Blockage in pipes or shower head.	Clean inlet filters (professional service recommended). Check household water pressure. Inspect and clean shower head or consult a plumber.
Water does not get hot enough.	Hot water supply issue. Thermostatic cartridge setting.	Check hot water heater. Ensure temperature safety stop is disengaged if higher temperatures are desired.
Leaking from the trim set.	Loose connections. Damaged seals or O-rings.	Tighten connections (do not overtighten). Replace seals/O-rings (professional service recommended).

If these solutions do not resolve the issue, please contact a qualified plumber or GROHE customer support.

7. SPECIFICATIONS

Attribute	Detail
Brand	GROHE
Model Name	35500000
Product Type	Universal Thermostatic Mixer (Concealed)
Recommended Uses	Bathroom
Mounting Type	Wall Mount
Finish Type	Chrome
Color	Silver
Material	Other material (primarily brass and durable plastics)
Number of Handles	1 (for compatible trim set)
Included Components	1-Piece Concealed Thermostat
Hole Count	1 (for installation)
Special Feature	Water Saving System, Constant Water Temperature (GROHE TurboStat)
Style	Modern
Installation Type	Single Hole
Item Weight	2.76 Kilograms
Item Dimensions (LxWxH)	24.5 x 20 x 21 Centimeters
Date First Available	22 August 2012

8. WARRANTY AND SUPPORT

GROHE products are manufactured to the highest standards and undergo rigorous quality checks. This product comes with a **10-year warranty** on the product itself, covering manufacturing defects under normal use and service.

For warranty claims, technical assistance, or to locate authorized service centers, please refer to the official GROHE website or contact their customer support directly. Keep your proof of purchase for warranty validation.

GROHE Official Website: www.grohe.com

