

Kludi 527100575

Kludi Balance 527100575 Shower Mixing Valve Instruction Manual

Model: 527100575

1. PRODUCT OVERVIEW

This manual provides instructions for the installation, operation, and maintenance of the Kludi Balance 527100575 Shower Mixing Valve. This product is a flush-mounted bath and shower mixer designed for controlling water flow and temperature in a shower system. It features a single lever for operation and an automatic conversion mechanism for shower/tub functions when used with compatible systems.

2. SAFETY INFORMATION

- Always shut off the main water supply before beginning any installation or maintenance work.
- Ensure all connections are secure and watertight to prevent leaks.
- If you are unsure about any part of the installation process, consult a qualified plumber.
- Do not use abrasive cleaners or harsh chemicals on the chrome finish, as this can damage the surface.
- Protect the product from freezing temperatures.

3. PACKAGE CONTENTS

Verify that all components are present before beginning installation:

- Kludi Balance 527100575 Shower Mixing Valve (flush-mounted trim kit)
- Operating Lever
- Nozzle (integrated or separate, depending on specific configuration)
- Installation hardware (gaskets, screws, etc.)

4. INSTALLATION

The Kludi Balance 527100575 is designed for wall-mount installation and requires a compatible in-wall unit (e.g., KLUDI FLEXX.BOX 88077 or UP-unit body 33434) for proper function. This section provides general guidance; always refer to the specific instructions provided with your in-wall unit.

4.1 Preparation

1. Shut off the main water supply.
2. Ensure the in-wall unit is correctly installed and secured according to its own instructions.
3. Clean the area around the in-wall unit to ensure a proper seal for the trim kit.

4.2 Mounting the Trim Kit

1. Carefully align the trim kit with the installed in-wall unit.
2. Secure the trim kit using the provided screws or mounting hardware. Ensure it is flush against the wall.
3. Attach the operating lever to the valve spindle. Test for smooth movement.
4. Perform a leak test by slowly turning on the main water supply and checking all connections.

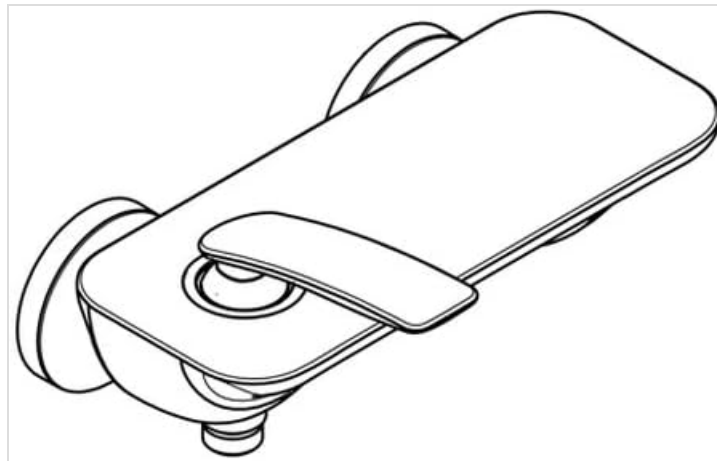


Figure 1: Line drawing of the Kludi Balance shower mixing valve, showing its overall design and components.

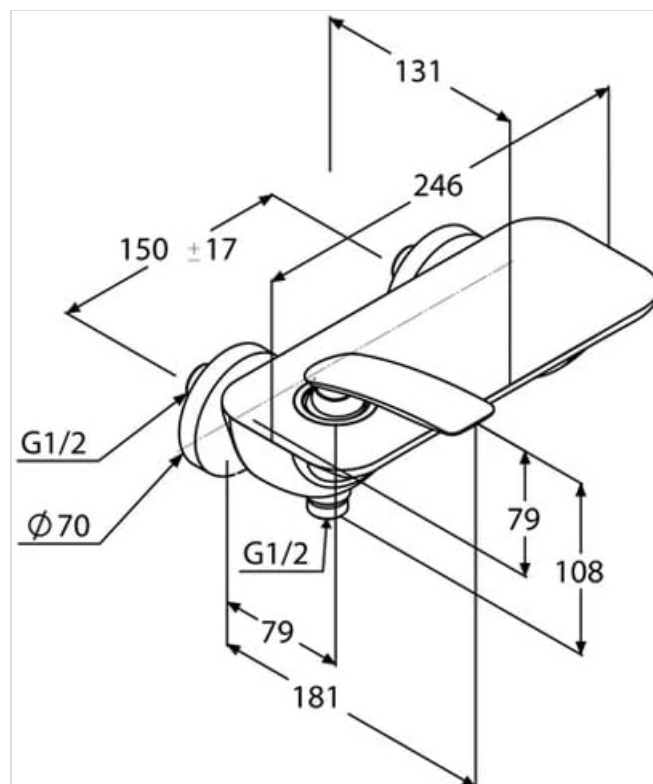


Figure 2: Dimensional drawing of the Kludi Balance shower mixing valve, indicating key measurements for installation, including G1/2 connections and overall dimensions in millimeters.

5. OPERATING INSTRUCTIONS

The Kludi Balance shower mixing valve features a single lever for controlling both water flow and temperature.

1. **Turning On/Off Water:** Lift the lever upwards to turn on the water flow. Push the lever downwards to turn off the water flow.
2. **Adjusting Water Flow:** The further the lever is lifted, the greater the water flow.
3. **Adjusting Water Temperature:** Move the lever to the left for hotter water and to the right for colder water. Find your desired temperature by adjusting the lever's horizontal position.
4. **Automatic Conversion:** If connected to a compatible shower/tub system, the valve automatically converts between shower and tub outlets based on water flow or a pull-rod mechanism, depending on the specific in-wall unit.

6. MAINTENANCE

Regular cleaning and proper care will ensure the longevity and appearance of your Kludi Balance shower mixing valve.

- **Cleaning:** Clean the chrome surfaces regularly with a soft cloth and mild soap or a non-abrasive cleaner specifically designed for chrome finishes.
- **Avoid:** Do not use abrasive sponges, scouring pads, or cleaners containing alcohol, ammonia, bleach, or phosphoric acid, as these can damage the finish.
- **Hard Water Deposits:** For hard water stains, use a solution of white vinegar and water, applied with a soft cloth. Rinse thoroughly with clean water and dry immediately.

7. TROUBLESHOOTING

If you encounter issues with your shower mixing valve, refer to the following common problems and solutions:

- **Low Water Pressure:**
 - Check if the main water supply is fully open.
 - Inspect the showerhead for blockages or mineral buildup.
 - Ensure the in-wall unit's flow regulators are not obstructed.
- **Temperature Fluctuations:**
 - Verify that both hot and cold water supplies are adequately pressurized.
 - If the issue persists, the thermostatic cartridge may need inspection or replacement by a qualified professional.
- **Leaks:**
 - Turn off the water supply immediately.
 - Check all connections for tightness.
 - Inspect gaskets and O-rings for damage and replace if necessary.

For problems not listed here or if troubleshooting steps do not resolve the issue, contact a qualified plumber or

Kludi customer support.

8. SPECIFICATIONS

Feature	Specification
Brand	Kludi
Model Number	527100575
Mounting Type	Wall-Mount (Flush-mounted)
Finish Type	Polished Chrome
Material	Metal
Number of Handles	1 (Lever)
Included Components	Nozzle (integrated), Trim Kit
Item Weight	3.1 Kilograms (approx. 6.82 pounds)
Product Dimensions	7.13 x 9.69 x 4.25 inches (approx.)
Connection Size	G1/2 (as per dimensional drawing)

9. WARRANTY AND SUPPORT

For warranty information, please refer to the documentation provided at the time of purchase or visit the official Kludi website. If you require technical support or have questions regarding your Kludi Balance 527100575 Shower Mixing Valve, please contact Kludi customer service or your authorized retailer.