

Manuals.plus /

› Balay /

› Balay 3WGX1929P Integrable Microwave with Grill User Manual

Balay 3WGX1929P

Balay 3WGX1929P Integrable Microwave with Grill User Manual

Model: 3WGX1929P

1. INTRODUCTION

This user manual provides essential information for the safe and efficient operation, installation, and maintenance of your Balay 3WGX1929P integrable microwave with grill. Please read these instructions carefully before using the appliance and keep them for future reference.

1.1 Safety Information

- Always ensure the appliance is properly earthed.
- Do not operate the microwave if the door seal or door is damaged.
- Only use microwave-safe cookware.
- Never heat sealed containers or baby bottles with narrow necks, as they may explode.
- Supervise children when the appliance is in use.
- Do not attempt to service or repair the appliance yourself. Contact qualified service personnel.

2. PRODUCT OVERVIEW

The Balay 3WGX1929P is a 17-liter integrable microwave oven featuring a grill function and mechanical controls, designed for seamless integration into your kitchen cabinetry. Its stainless steel finish offers durability and a modern aesthetic.

2.1 Components Included

- Balay 3WGX1929P Microwave Oven
- Stainless steel frame (60 cm) for integration
- Integrated grill rack
- Glass turntable

2.2 Appliance View



Figure 2.2.1: Front view of the Balay 3WGX1929P integrable microwave with its stainless steel finish, control panel, and digital display showing "12:00". The interior shows a grill rack.



Figure 2.2.2: Interior view of the microwave with the door open, showing the stainless steel cavity and the glass turntable in place.

3. INSTALLATION

Proper installation is crucial for the safe and optimal performance of your microwave oven. Ensure that the installation is carried out by a qualified technician in accordance with local regulations.

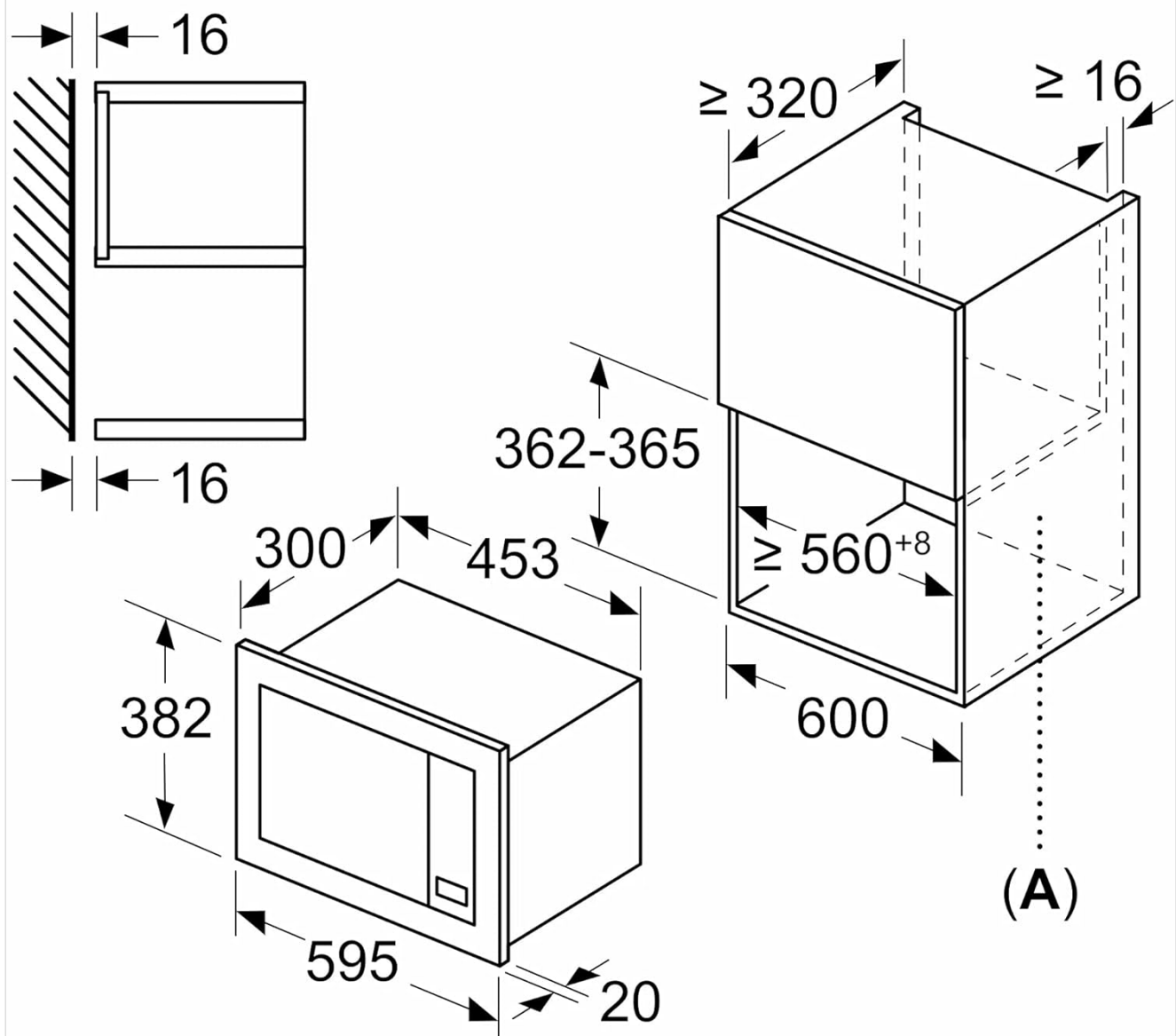
3.1 Pre-Installation Checks

- Verify that the power supply matches the specifications on the appliance rating plate.
- Ensure the cabinet opening dimensions are correct for an integrable appliance.
- Check for adequate ventilation space around the appliance.

3.2 Required Niche Dimensions

The microwave requires a specific niche for integration. The recommended niche dimensions are approximately 56 cm (width) x 36.2 cm (height) x 32 cm (depth).

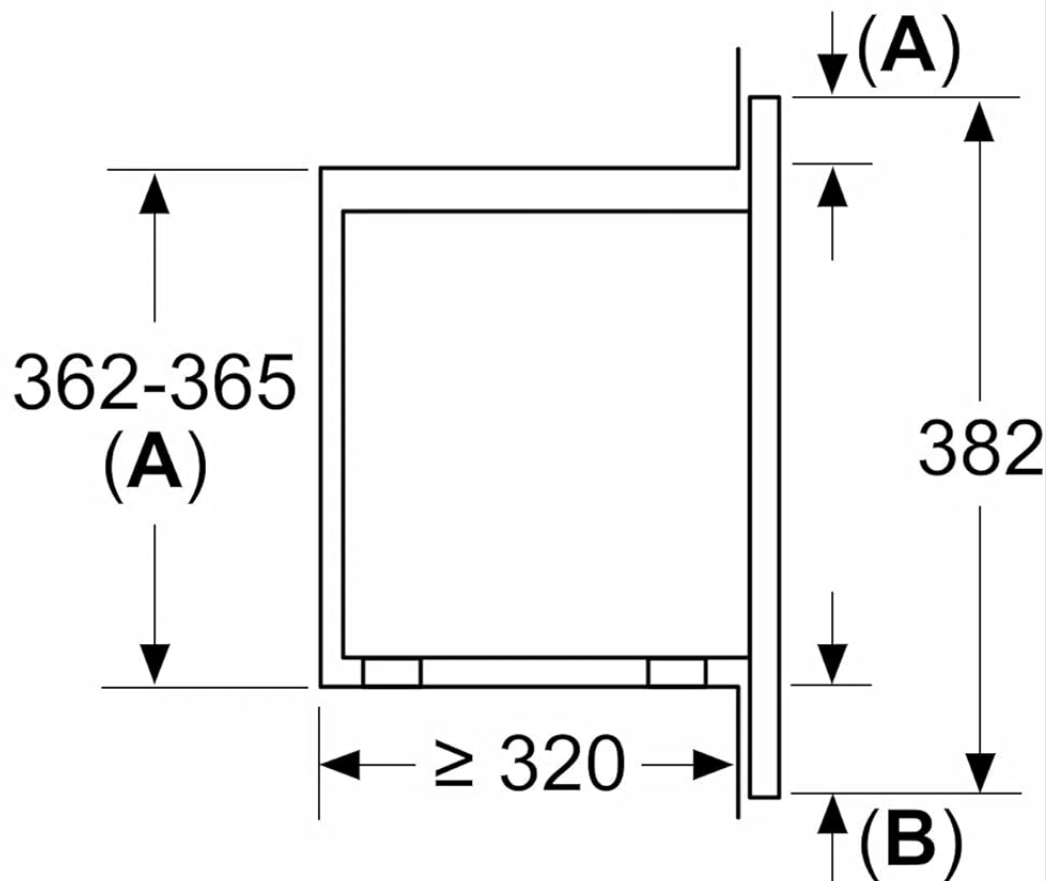
Dimensiones en mm



A: Pared trasera abierta

Figure 3.2.1: Technical diagram providing front and side dimensions of the microwave unit itself, along with the required niche dimensions for installation, including width, height, and depth.

Dimensiones en mm
Montaje en armario superior
Microondas
Bastidor de montaje
Saliente



A: Saliente superior:

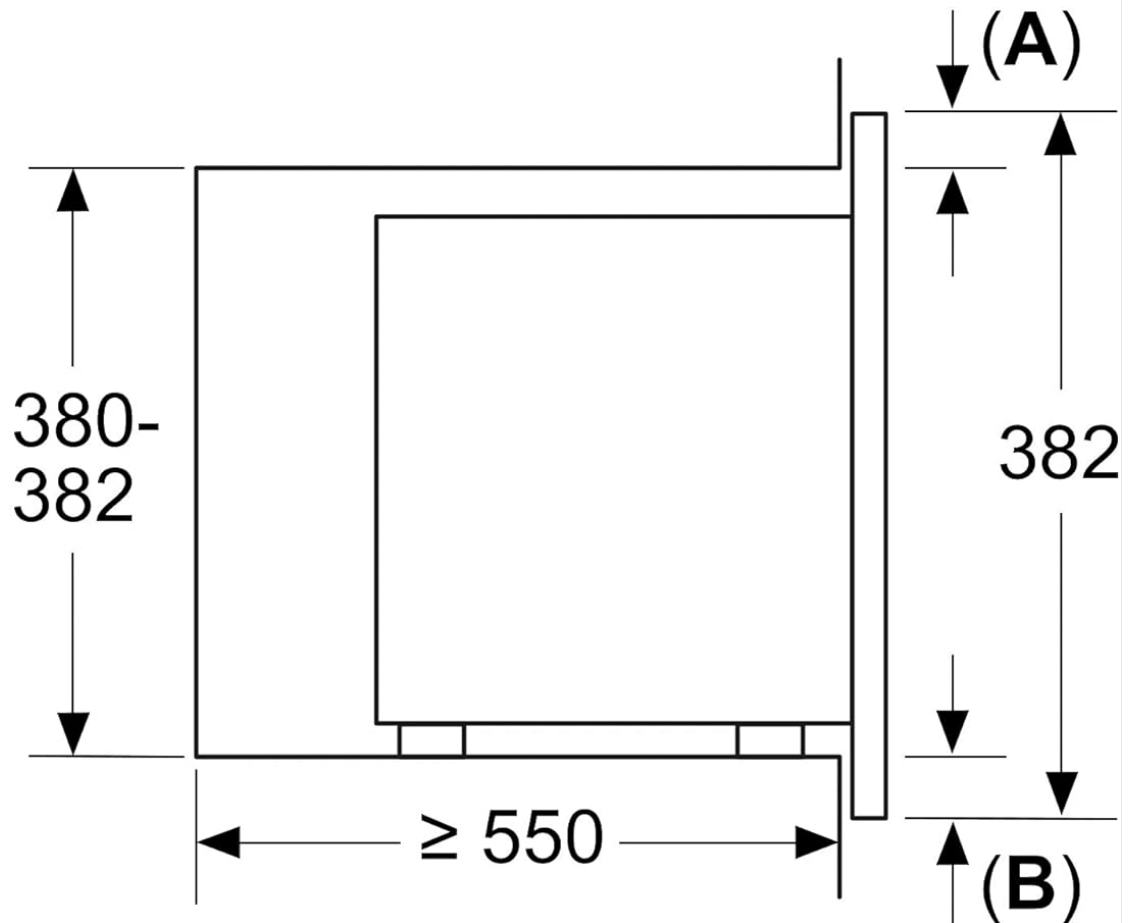
Hueco 362: 6 mm

Hueco 365: 3 mm

B: Saliente inferior: 14 mm

Figure 3.2.2: Technical diagram illustrating the side view of the microwave installation in an upper cabinet, showing specific dimensions for ventilation gaps (A and B) and overall height.

Dimensiones en mm
Montaje en armario en alto
Microondas
Bastidor de montaje
Saliente

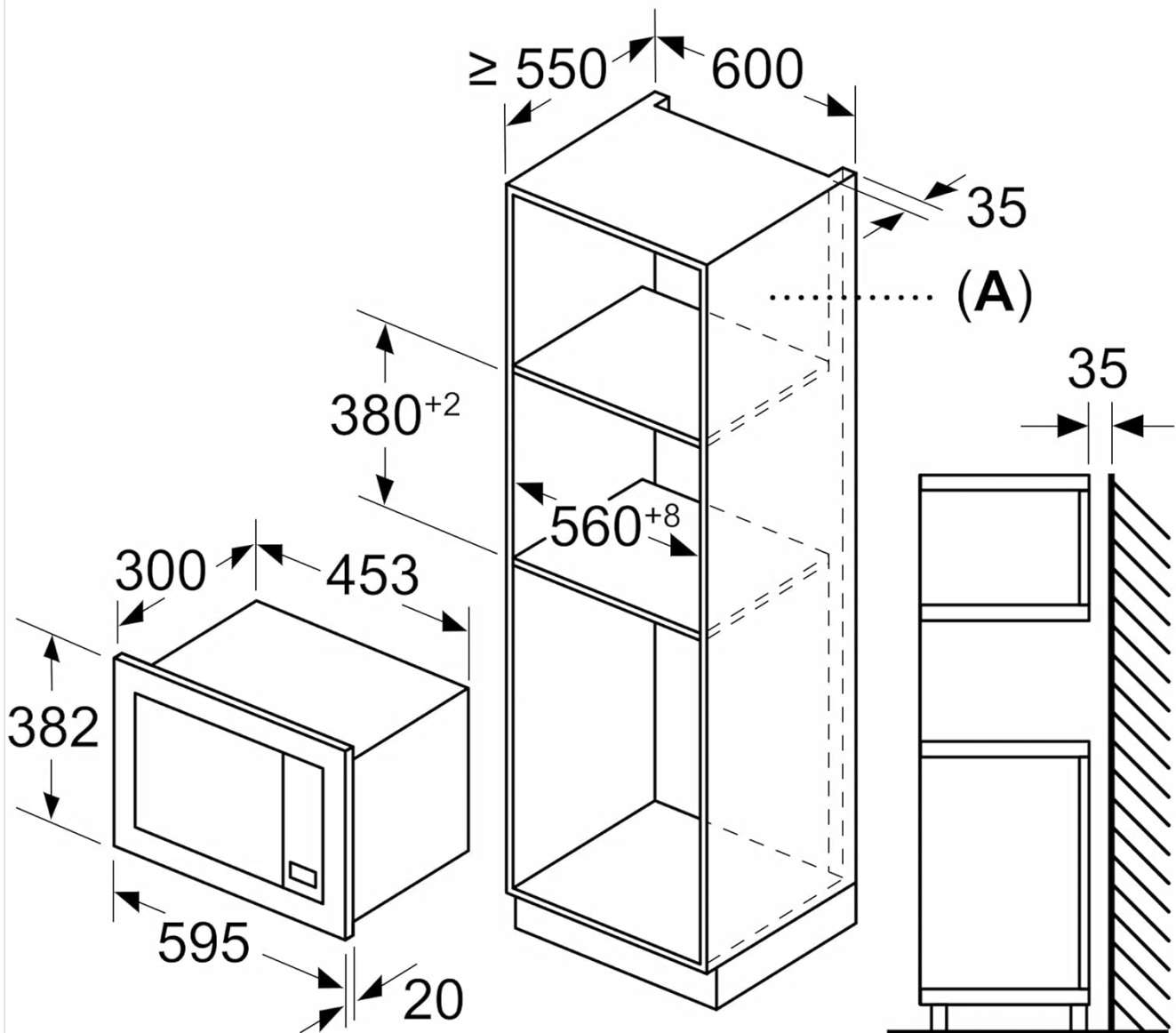


A: Saliente superior: 1 mm
B: Saliente inferior: 1 mm

Figure 3.2.3: Technical diagram illustrating the side view of the microwave installation in a lower cabinet, showing specific dimensions for ventilation gaps (A and B) and overall height.

Dimensiones en mm

מידות במ"מ



A: Pared trasera abierta

A: לוח אחורי פתוח

Figure 3.2.4: Comprehensive technical diagram showing the microwave unit's dimensions, the required cabinet niche dimensions, and an example of a full cabinet installation with multiple shelves.

3.3 Installation Steps

1. Carefully unpack the microwave and all accessories.
2. Place the microwave into the prepared cabinet niche, ensuring it is level.
3. Secure the microwave to the cabinet using the provided screws and mounting frame.
4. Connect the appliance to a properly earthed electrical outlet.
5. Ensure the door opens and closes freely without obstruction.

4. OPERATING INSTRUCTIONS

Your Balay 3WGX1929P microwave features intuitive mechanical controls for various cooking functions.

4.1 Basic Controls

- **Power Selector Knob:** Adjusts the microwave power level or selects the grill function.
- **Timer Knob:** Sets the cooking duration.
- **Digital Display:** Shows the time and cooking settings.

4.2 Microwave Cooking

1. Place food in a microwave-safe container on the glass turntable.
2. Close the microwave door securely.
3. Turn the Power Selector Knob to the desired microwave power level (e.g., 800W for full power).
4. Set the cooking time using the Timer Knob. The microwave will start automatically.
5. The appliance will beep when the cooking time is complete.

4.3 Grill Function

The simultaneous grill function allows you to brown and crisp food while it heats.

1. Place food on the integrated grill rack within a heat-resistant dish.
2. Close the microwave door.
3. Turn the Power Selector Knob to the grill setting.
4. Set the desired grilling time using the Timer Knob.
5. Monitor food closely to prevent burning.

4.4 Automatic Programs

The appliance includes automatic cooking and defrosting programs based on weight, simplifying meal preparation.

1. Place the food in the microwave.
2. Select the desired automatic program (e.g., defrost by weight).
3. Enter the weight of the food as prompted by the controls.
4. The microwave will automatically calculate and apply the appropriate power and time settings.

5. MAINTENANCE AND CLEANING

Regular cleaning and maintenance will ensure the longevity and hygienic operation of your microwave oven.

5.1 Cleaning the Interior

- After each use, wipe the interior with a damp cloth to remove food splatters.
- For stubborn stains, place a bowl of water with lemon juice inside and heat for a few minutes until steam forms. This will loosen food residue.
- Do not use abrasive cleaners or metal scouring pads.

5.2 Cleaning the Exterior

- Wipe the exterior surfaces, including the control panel and door, with a soft, damp cloth.
- For stainless steel surfaces, use a specialized stainless steel cleaner to maintain its finish.

5.3 Cleaning the Turntable and Grill Rack

- The glass turntable and grill rack can be removed and washed by hand with warm soapy water or in a dishwasher.
- Ensure they are completely dry before placing them back into the microwave.

6. TROUBLESHOOTING

Before contacting customer service, please refer to the following common issues and their potential solutions.

Problem	Possible Cause	Solution
Microwave does not start.	Power cord unplugged; door not closed properly; fuse blown.	Check power connection; ensure door is fully closed; check household fuse/circuit breaker.
Food not heating.	Incorrect power level selected; cooking time too short; microwave-safe cookware not used.	Adjust power level and cooking time; use appropriate cookware.
Turntable not rotating.	Turntable not correctly placed; obstruction under turntable.	Reposition turntable; remove any obstructions.
Grill not browning food.	Grill function not selected; food too far from grill element.	Ensure grill function is active; use the grill rack to elevate food closer to the element.
Unusual noise during operation.	Turntable or roller ring not correctly positioned; foreign object inside.	Check turntable and roller ring placement; inspect for foreign objects.

If the problem persists after attempting these solutions, please contact Balay customer service.

7. TECHNICAL SPECIFICATIONS

Feature	Specification
Brand	Balay
Model Number	3WGX1929P
Type	Integrable Microwave with Grill
Capacity	17 Liters
Microwave Power	800 Watts
Control Type	Mechanical
Material	Stainless Steel
Product Dimensions (H x W x D)	32 x 45.3 x 28 cm (approx. 15 kg)
Niche Dimensions (H x W x D)	36.2 x 56 x 32 cm (minimum)
Turntable Diameter	24.5 cm
Special Features	Display LED/LCD, Automatic cooking and defrosting programs by weight

8. WARRANTY AND SUPPORT

Your Balay 3WGX1929P microwave oven comes with a manufacturer's warranty. Please refer to the warranty card included with your purchase for specific terms and conditions, including the warranty period and coverage details. For technical assistance, spare parts, or to schedule a service appointment, please contact Balay customer support. Contact information can typically be found on the official Balay website or in your warranty documentation.