

## Kludi 7560500-00

# Kludi 7560500-00 Replacement Cartridge Instruction Manual

For Single-Lever Tap 35 mm Control Unit with Ceramic Discs

## 1. PRODUCT OVERVIEW

---

This manual provides instructions for the Kludi 7560500-00 replacement ceramic control unit, designed for single-lever taps. This cartridge is a crucial component for controlling water flow and temperature in your faucet. It features durable ceramic discs and a pre-adjustable hot water limit for safety and efficiency.

### Key Features:

- Replacement cartridge for single-lever mixers.
- Diameter D = 35 mm.
- Equipped with a pre-adjustable hot water safety device.
- Constructed with a ceramic control unit for longevity.



**Figure 1:** Kludi 7560500-00 Replacement Cartridge. This image shows the overall design of the ceramic control unit, highlighting its compact form factor and the square shaft for handle attachment.

## 2. INSTALLATION GUIDE

Replacing a faucet cartridge requires careful attention. If you are unsure about any step, it is recommended to consult a professional plumber.

### 2.1 Tools Required

- Adjustable wrench or basin wrench
- Screwdriver (flathead or Phillips, depending on faucet handle)
- Pliers
- Towel or rag
- Flashlight (optional)

### 2.2 Installation Steps

1. **Turn off Water Supply:** Locate the hot and cold water shut-off valves under the sink and turn them clockwise until fully closed. Turn on the faucet to drain any remaining water and confirm the supply is

off.

2. **Remove Faucet Handle:** Depending on your faucet model, you may need to pry off a decorative cap to expose a screw. Use a screwdriver to remove the screw and lift off the handle.
3. **Access the Cartridge:** Remove any retaining nuts, collars, or clips that secure the cartridge in place. These can usually be unscrewed by hand or with an adjustable wrench. Be careful not to damage surrounding components.
4. **Remove Old Cartridge:** Gently pull or twist the old cartridge out of the faucet body. It may require some wiggling or light prying with pliers. Note its orientation for correct installation of the new cartridge.
5. **Clean Faucet Body:** Clean any mineral deposits or debris from the cartridge housing within the faucet body. This ensures a proper seal for the new cartridge.
6. **Install New Cartridge:** Insert the new Kludi 7560500-00 cartridge into the faucet body, ensuring it is correctly oriented. The alignment pins or notches on the cartridge should match the slots in the faucet body.
7. **Secure Cartridge:** Reinstall any retaining nuts, collars, or clips that hold the cartridge in place. Tighten securely but do not overtighten.
8. **Reassemble Faucet:** Place the faucet handle back onto the cartridge stem and secure it with its screw and decorative cap.
9. **Restore Water Supply:** Slowly turn the hot and cold water shut-off valves counter-clockwise to restore water flow.
10. **Test Faucet:** Turn on the faucet and check for leaks around the base and handle. Test both hot and cold water flow and temperature adjustment.

### 3. OPERATING INSTRUCTIONS

---

The Kludi 7560500-00 ceramic control unit is designed for single-lever taps, providing intuitive control over water flow and temperature.

- **Flow Control:** Lift the faucet handle to increase water flow. Lower the handle to reduce or stop the flow.
- **Temperature Control:** Move the faucet handle horizontally (left for hot, right for cold) to adjust the water temperature.
- **Hot Water Limit:** This cartridge includes a pre-adjustable hot water limit. This safety feature helps prevent accidental scalding by limiting the maximum hot water temperature. Adjustment of this limit typically requires removing the faucet handle and making a small adjustment on the cartridge itself, as per your faucet's specific instructions.

### 4. MAINTENANCE

---

Proper maintenance ensures the longevity and optimal performance of your Kludi ceramic cartridge.

- **Regular Cleaning:** Clean the exterior of your faucet regularly with a soft cloth and mild soap. Avoid abrasive cleaners or harsh chemicals, as these can damage the finish and potentially affect internal components.
- **Check for Leaks:** Periodically inspect the faucet for any signs of dripping or leaks. Early detection can prevent further damage and simplify repairs.
- **Ceramic Disc Durability:** The ceramic discs within the cartridge are highly durable and resistant to

wear. However, hard water deposits can sometimes affect their smooth operation. If you notice stiffness in the handle, it may indicate mineral buildup.

- **Water Quality:** In areas with hard water, consider installing a water softener to reduce mineral buildup, which can extend the life of your cartridge and other plumbing fixtures.

## 5. TROUBLESHOOTING

---

If you encounter issues with your single-lever tap after installing the new cartridge, refer to the following troubleshooting tips:

- **Dripping Faucet:**
  - Ensure the cartridge is fully seated and all retaining nuts/clips are tightened correctly.
  - Check for any debris caught between the ceramic discs. This usually requires disassembling the faucet again.
- **Reduced Water Flow:**
  - Verify that the water supply valves under the sink are fully open.
  - Check the aerator at the end of the faucet spout for clogs from sediment. Clean or replace if necessary.
  - Ensure no debris entered the water lines during installation.
- **Difficulty Adjusting Temperature:**
  - Confirm that both hot and cold water supplies are fully open.
  - Check the orientation of the cartridge during installation. Incorrect alignment can affect temperature mixing.
  - If your faucet has a hot water limit stop, ensure it is not set too low.
- **Stiff Handle Operation:**
  - Mineral buildup can cause stiffness. Disassemble and clean the cartridge area.
  - Ensure the handle is not overtightened onto the cartridge stem.

If these steps do not resolve the issue, contact Kludi customer support or a qualified plumber.

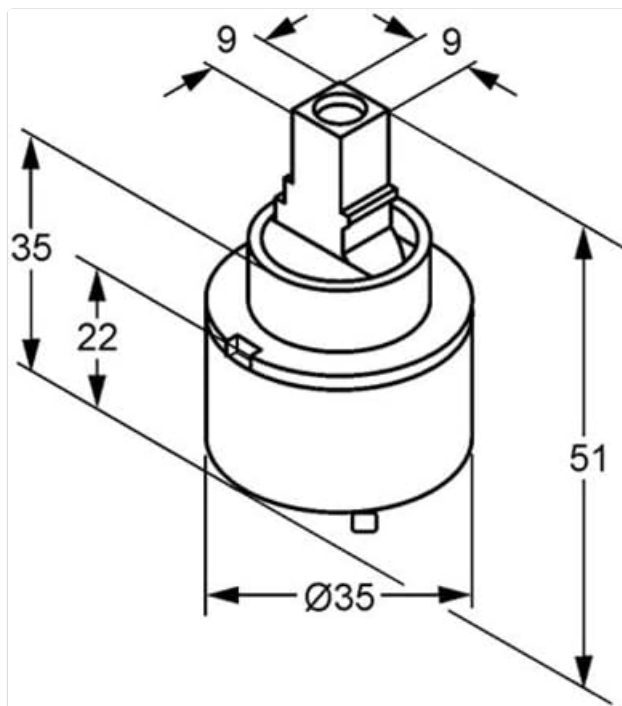
## 6. SPECIFICATIONS

---

Detailed technical specifications for the Kludi 7560500-00 Replacement Cartridge.

Specification	Detail
Part Number	7560500-00
Manufacturer	Kludi
Item Weight	0.705 ounces
Product Dimensions	2.68 x 1.85 x 1.89 inches
Cartridge Diameter	35 mm
Control Unit Material	Plastic/Ceramic

Hot Water Limit	Pre-adjustable
Maximum Operating Temperature	90°C (194°F)
Recommended Hot Water Inlet Temperature	65°C (149°F)
Maximum Test Pressure	25 bar
Maximum Operating Pressure	10 bar (pressure reducer recommended above 5 bar)



**Figure 2:** Dimensional drawing of the Kludi 7560500-00 cartridge. All measurements are in millimeters (mm), showing the 35mm diameter and various height specifications for precise fitment.

## 7. WARRANTY AND SUPPORT

For specific warranty information regarding the Kludi 7560500-00 Replacement Cartridge, please refer to the documentation provided with your original faucet or contact Kludi directly. Warranty terms typically cover manufacturing defects under normal use.

**Kludi Contact Information:**

Please visit the official Kludi website or refer to your product packaging for the most current contact details for customer support and service inquiries.