



Manuals.plus /

› Kohler /

› Kohler K-9033-CP Contemporary Round Bottle Trap Installation and Maintenance Manual

Kohler K-9033-CP

Kohler K-9033-CP Contemporary Round Bottle Trap User Manual

Model: K-9033-CP | Finish: Polished Chrome

1. PRODUCT OVERVIEW

The Kohler K-9033-CP Contemporary Round Bottle Trap is designed to provide an attractive and functional solution for exposed plumbing under bathroom sinks. Constructed from solid brass, this bottle trap ensures durability and reliability, while its polished chrome finish resists corrosion and tarnishing. It is intended for use with console table and vessel installations.

Key Features:

- Contemporary design for aesthetic appeal.
- Removable trap eye for easy cleaning and maintenance.
- 1-1/4" diameter slip-fit inlet for standard connections.
- Includes a 12" extension tube for flexible installation.
- Solid-brass construction ensures long-lasting performance.
- KOHLER finishes are engineered to resist corrosion and tarnishing.
- Specifically designed for console table and vessel sink installations.



Image 1.1: The Kohler K-9033-CP Contemporary Round Bottle Trap, showcasing its polished chrome finish and modern design.

2. INSTALLATION (SETUP)

Proper installation is crucial for the optimal performance and appearance of your bottle trap. It is recommended to consult a qualified plumber if you are unsure about any steps. Ensure all local plumbing codes are met during installation.

Required Tools (Not Included):

- Adjustable wrench
- Plumber's tape (PTFE tape)
- Soft cloth

Installation Steps:

1. **Prepare the Drain:** Ensure the sink drain tailpiece is clean and free of debris.
2. **Assemble the Bottle Trap:** Refer to the diagram below for component identification. Connect the various parts of the bottle trap, ensuring all gaskets and seals are correctly seated. Hand-tighten connections initially.

3. **Connect to Tailpiece:** Attach the inlet of the bottle trap to the sink's tailpiece. Use a slip-joint nut and washer, ensuring a watertight seal.
4. **Connect to Wall Drain:** Extend the bottle trap to align with the wall drain. Use the included 12" extension tube if necessary to achieve the correct length and alignment. Secure the connection to the wall drain using appropriate fittings and seals.
5. **Final Tightening:** Once all components are aligned, use an adjustable wrench to carefully tighten all slip-joint nuts. Do not overtighten, as this can damage the seals or components.
6. **Leak Test:** Turn on the water supply to the sink and allow water to run for several minutes. Carefully inspect all connections for any signs of leaks. Tighten any leaking connections slightly until the leak stops.



Image 2.1: Exploded view diagram of the Kohler K-9033-CP Bottle Trap, showing its main components and assembly points.

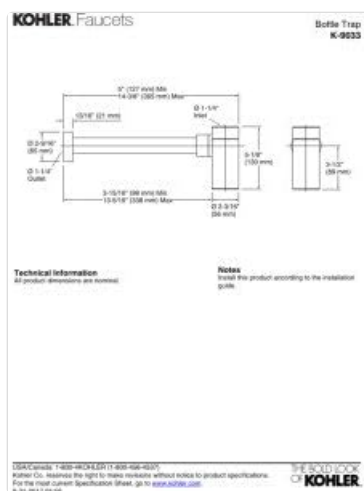


Image 2.2: Technical drawing providing detailed dimensions and measurements for the Kohler K-9033-CP Bottle Trap, essential for proper installation planning.

3. OPERATION

The Kohler K-9033-CP Bottle Trap operates passively as part of your sink's drainage system. Its primary function is to create a water seal that prevents sewer gases from entering your living space. No active user operation is required beyond regular use of the sink.

Ensure that water flows freely through the trap. If you notice slow drainage, refer to the Maintenance or Troubleshooting sections.

4. MAINTENANCE

Regular maintenance will ensure the longevity and proper function of your bottle trap. The removable trap eye allows for easy cleaning.

Cleaning the Exterior:

- Clean the polished chrome finish with a soft, damp cloth.
- Avoid abrasive cleaners, scouring pads, or harsh chemicals, as these can damage the finish.
- For stubborn spots, use a mild soap solution and rinse thoroughly, then dry with a soft cloth.

Cleaning the Interior (Removable Trap Eye):

1. **Prepare:** Place a bucket or container directly under the bottle trap to catch any water or debris.
2. **Remove Trap Eye:** Carefully unscrew the bottom cap or trap eye of the bottle trap. This component is designed to be easily removable for access to the trap's interior.
3. **Clear Debris:** Remove any accumulated hair, soap scum, or other debris from inside the trap eye and the main body of the trap. A small brush or wire can be helpful.
4. **Rinse:** Rinse the trap eye and the interior of the trap with clean water.
5. **Reassemble:** Carefully reattach the trap eye, ensuring the gasket is properly seated. Hand-tighten first, then use a wrench to gently snug it, avoiding overtightening.
6. **Check for Leaks:** Run water through the sink and check for any leaks at the reassembled connection.

5. TROUBLESHOOTING

This section addresses common issues you might encounter with your bottle trap.

Problem	Possible Cause	Solution
Slow Drainage	Accumulation of hair, soap scum, or debris within the trap.	Clean the interior of the trap by removing the trap eye (refer to Maintenance section).
Leaks at Connections	Loose connections, improperly seated gaskets, or damaged seals.	Ensure all slip-joint nuts are tightened correctly. Check that gaskets are properly aligned and not damaged. Replace damaged gaskets if necessary.
Sewer Odors	Dry trap (water seal evaporated) or improper installation.	Run water into the sink to refill the trap's water seal. If odors persist, inspect installation for proper sealing and ensure the trap is correctly configured.
Finish Tarnishing/Corrosion	Exposure to harsh chemicals or abrasive cleaners.	Clean only with mild soap and water, using a soft cloth. Avoid all abrasive or chemical cleaners.

6. SPECIFICATIONS

Model Number	K-9033-CP
Brand	Kohler
Material	Solid Brass
Finish Type	Polished Chrome
Inlet Diameter	1-1/4 inches
Included Components	Bottle trap assembly, 12" extension tube
Special Feature	Tarnish Resistant, Removable Trap Eye
Mounting Type	Deck Mount (for vessel/console installations)
Product Dimensions	13"D x 2"W x 10"H (Approximate, refer to diagram for precise measurements)
Item Weight	3 Pounds
UPC	650531837363

7. WARRANTY INFORMATION

This Kohler product is covered by the **KOHLER Faucet Lifetime Limited Warranty**. This warranty covers defects in material and workmanship for the original consumer purchaser. For complete details regarding warranty coverage, limitations, and how to make a claim, please refer to the official Kohler warranty documentation or visit the Kohler website.

Note: Keep your proof of purchase for warranty purposes.

8. SUPPORT

For technical assistance, replacement parts, or further information, please contact Kohler Customer Service. You can typically find contact information on the official Kohler website or within the product packaging.

Online Resources: www.kohler.com

When contacting support, please have your product model number (K-9033-CP) and date of purchase readily available.