

[Manuals.plus](#) /

› [PRIME-LINE](#) /

› Prime-Line B 701 1 Inch Nylon Screen Door Roller Instruction Manual

PRIME-LINE B 701

Prime-Line B 701 1 Inch Nylon Screen Door Roller Instruction Manual

INTRODUCTION

This manual provides comprehensive instructions for the Prime-Line B 701 1 Inch Nylon Screen Door Roller. This product is designed to replace worn or damaged rollers in sliding screen doors, restoring smooth and effortless operation. Proper installation and maintenance will ensure the longevity and optimal performance of your screen door.

SAFETY INFORMATION

Always prioritize safety during installation and maintenance. Please observe the following precautions:

- Wear appropriate personal protective equipment, such as safety glasses and gloves, to prevent injury.
- Ensure the screen door is securely supported or removed from its frame before attempting any work to prevent it from falling.
- Keep small parts, such as screws and rollers, out of reach of children and pets to avoid choking hazards.
- Use the correct tools for the job to avoid damage to the product or injury to yourself.

PACKAGE CONTENTS

Verify that all components are present in your package:

- 2 x Prime-Line B 701 1 Inch Nylon Screen Door Rollers
- Mounting Screws (typically included)

If any parts are missing or damaged, please contact customer support immediately.

SPECIFICATIONS

Feature	Detail
Brand	PRIME-LINE
Model Number	B 701
Material	Plastic (Nylon roller, plastic housing)
Item Weight	0.07 Pounds
Roller Diameter	1 Inch
Wheel Width	1/4 Inch
Housing Diameter	1 Inch
Required Assembly	Yes
UPC	049793007018

Note: Please refer to the line art drawing for detailed dimensions and compare them to your specific needs before installation.

SETUP AND INSTALLATION

Follow these steps to replace your screen door rollers:

- 1. Prepare the Door:** Carefully remove the screen door from its frame. Lay it on a clean, flat, and stable surface to prevent damage.
- 2. Locate and Remove Old Rollers:** Identify the existing rollers on your screen door. These are typically located at the top and bottom edges of the door frame. Use a screwdriver or appropriate tool to remove any screws securing the old rollers. Gently pry out the old roller assemblies.
- 3. Inspect the Area:** Clean any debris, dirt, or rust from the roller housing area within the screen door frame.
- 4. Insert New Rollers:** Take a new Prime-Line B 701 roller. Align it with the opening in the screen door frame. The spring-loaded arm should face towards the track.
- 5. Secure the Rollers:** Use the provided mounting screws to secure the new rollers into place. Ensure they are firmly attached but do not overtighten, which could strip the screw holes or damage the roller housing.
- 6. Reinstall and Adjust:** Carefully place the screen door back into its frame. Test the sliding motion. The roller arm is spring-loaded and can often be adjusted via an adjustment sleeve and screw (if present on your door frame) to achieve optimal contact with the track and smooth operation.



Image 1: Prime-Line B 701 1 Inch Nylon Screen Door Roller. This image shows the complete roller assembly.

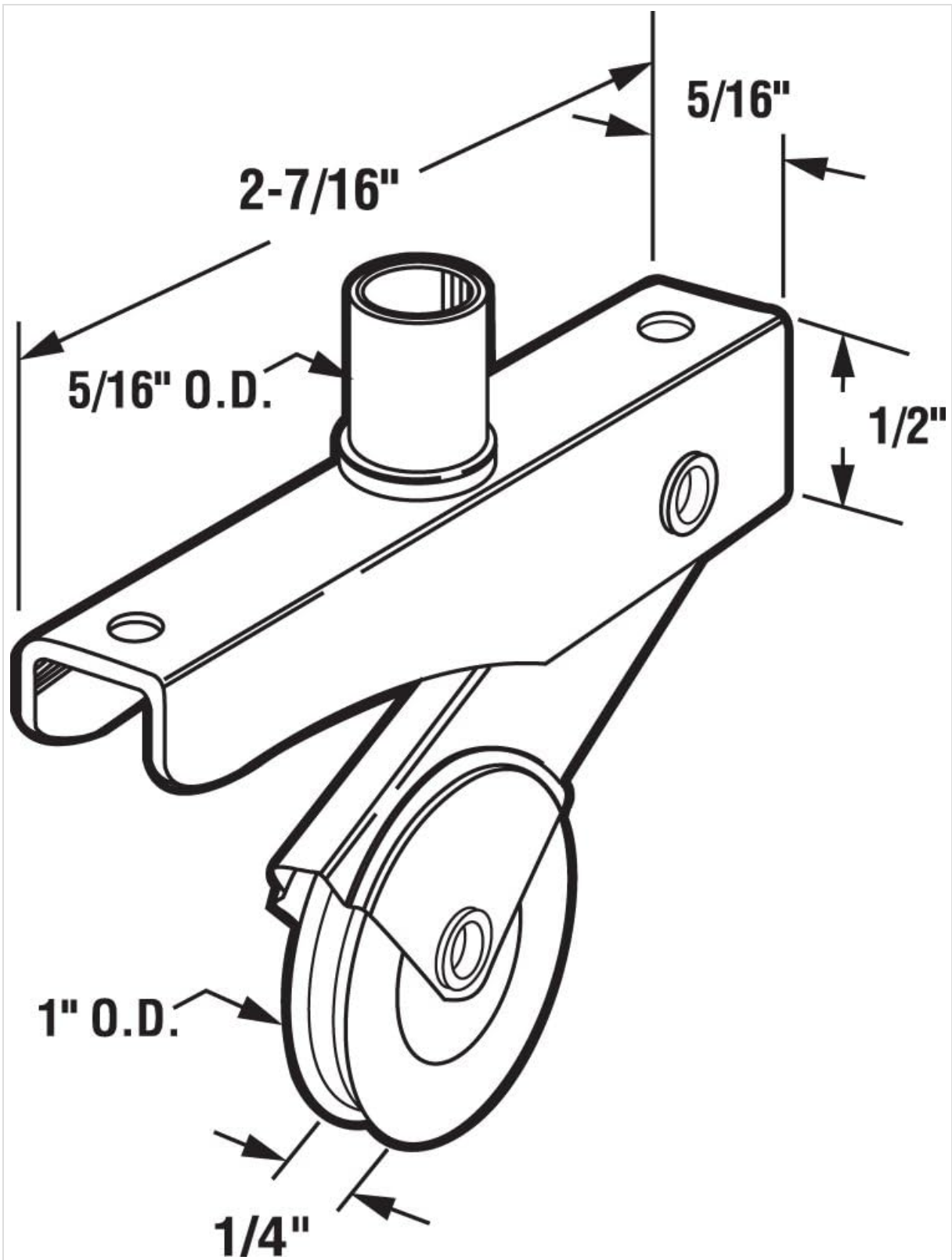


Image 2: Detailed line art drawing with dimensions for the Prime-Line B 701 screen door roller. This diagram provides precise measurements for the roller and its components.

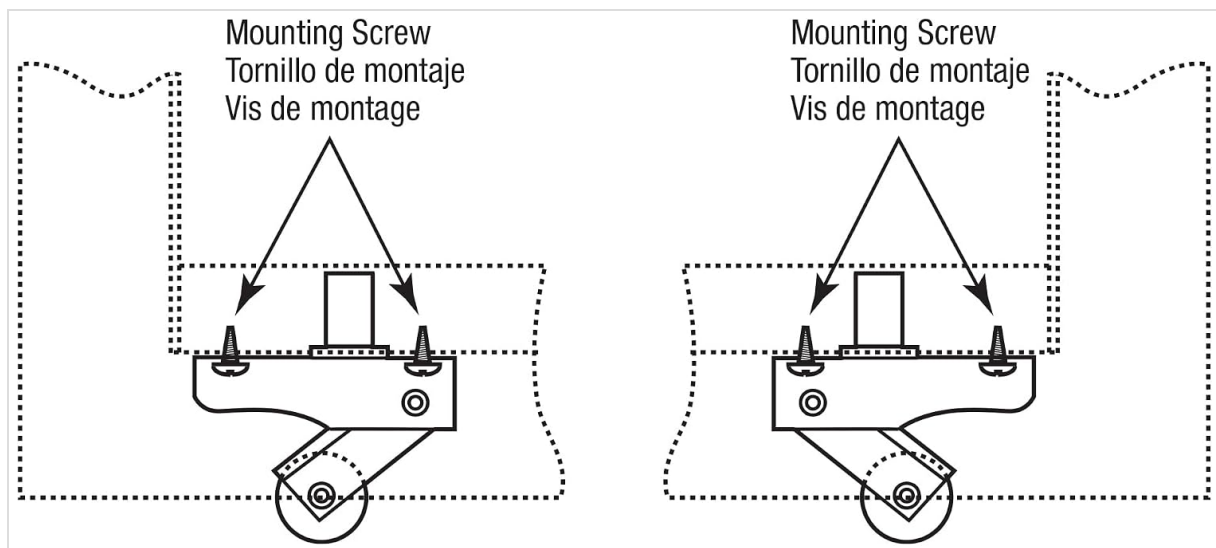


Image 3: Installation diagram illustrating how to mount the screen door rollers using mounting screws into the door frame.

OPERATION

Once properly installed, the Prime-Line B 701 rollers enable your screen door to glide smoothly and quietly along its track. The spring-loaded design ensures consistent contact with the track, providing stable and effortless movement. If the door feels stiff or uneven, re-check the installation and adjustment.

MAINTENANCE

Regular maintenance helps prolong the life of your screen door rollers and ensures continued smooth operation:

- **Cleaning:** Periodically clean the screen door track to remove accumulated dirt, dust, and debris that can impede roller movement. A vacuum cleaner with a narrow attachment or a damp cloth can be effective.
- **Inspection:** Inspect the rollers for any signs of wear, cracks, or damage. If rollers appear worn, consider replacing them to maintain optimal performance.
- **Lubrication:** Apply a silicone-based lubricant to the rollers and the track as needed. Avoid using oil-based lubricants, as they can attract dirt and grime, leading to premature wear.

TROUBLESHOOTING

If you encounter issues with your screen door after installing the new rollers, refer to the following common problems and solutions:

- **Door not sliding smoothly or getting stuck:**
 - Check the screen door track for obstructions (e.g., dirt, small objects) and clean thoroughly.
 - Ensure the rollers are free of debris and rotate freely.
 - Verify that the rollers are properly seated in the door frame and secured with screws.
 - If your screen door has adjustment screws for the rollers, try adjusting them to ensure proper contact with the track.
- **Door feels wobbly or loose:**
 - Confirm that all mounting screws for the rollers are tightened.
 - Inspect the screen door frame for any bent or damaged sections that might affect stability.

- **Screws do not fit or are too small:**

- While mounting screws are typically included, variations in door frames may require different screw sizes. If the provided screws are unsuitable, acquire appropriate screws from a hardware store that fit your door frame and the roller assembly securely.

WARRANTY INFORMATION

Prime-Line warrants goods against manufacturing defects for a period of 1 year from the date of purchase. This warranty does not cover user-related damage or damage incurred during installation. The warranty is void if products are subjected to abnormal conditions, misapplication, or abuse. Please retain your proof of purchase for warranty claims.

SUPPORT

For additional assistance, product inquiries, or to explore other hardware solutions, please visit the official Prime-Line website or contact their customer support department. You can also find more products and information at the [Prime-Line Amazon Store](#).