

Progress Lighting P3925-09

Progress Lighting 2-Light Flush Mount Ceiling Light Fixture User Manual

Model: P3925-09 | Brand: Progress Lighting

[Information](#) [Components](#) [Installation](#) [Operation](#) [Maintenance](#) [Introduction](#) [Safety](#) [Troubleshooting](#) [Specifications](#) [Warranty](#) [Support](#)

1. INTRODUCTION

This manual provides comprehensive instructions for the safe installation, operation, and maintenance of your Progress Lighting 2-Light Flush Mount Ceiling Light Fixture, Model P3925-09. This fixture is designed to provide ambient illumination in various interior spaces such as kitchens, hallways, bedrooms, and living rooms. Please read all instructions carefully before beginning installation.



2. IMPORTANT SAFETY INFORMATION

To reduce the risk of fire, electric shock, or personal injury, always follow these basic safety precautions:

- **WARNING:** Turn off electrical power at the circuit breaker or fuse box before installing or servicing the fixture.
- All electrical connections must be in accordance with local codes, ordinances, or the National Electric Code (NEC). Consult a qualified electrician if you are unfamiliar with proper electrical wiring installations.
- This fixture is intended for indoor use only.
- Do not install this fixture in wet locations. It is cCSAus damp-location listed, suitable for damp environments like bathrooms or covered porches, but not direct water exposure.
- Always use bulbs of the correct wattage and type as specified in the product specifications.
- Handle glass components with care to prevent breakage.
- **Proposition 65 Warning:** This product may contain chemicals known to the State of California to cause cancer and birth defects or other reproductive harm.

3. PACKAGE CONTENTS

Verify that all components listed below are present and undamaged before proceeding with installation. If any parts are missing or damaged, do not attempt to assemble or install the fixture. Contact customer support for assistance.

3924, 3925, 3926

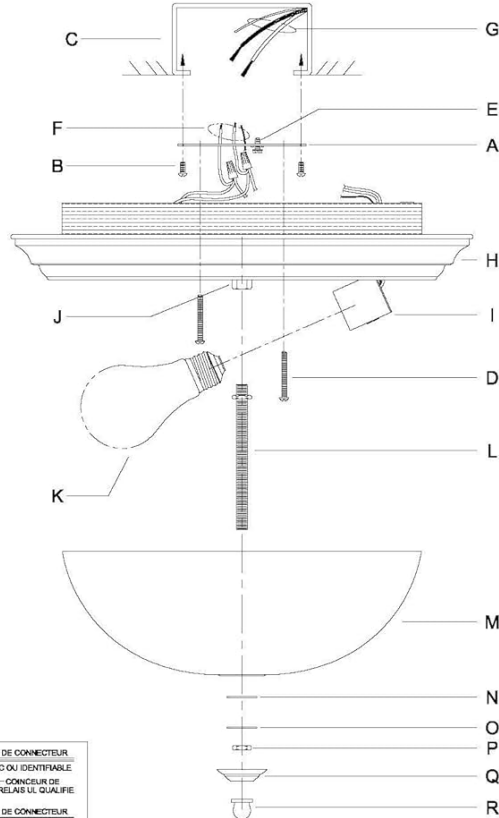
WARNING - If any Special Control Devices are used with this Fixture, Follow the Instructions Carefully to assure full compliance with N.E.C. requirements. If there are any questions, contact a Qualified Electrical Contractor.
CAUTION - All glass is fragile, use care when handling Glass component(s) and or Lamp(s).

ASSEMBLY STEPS:

PASOS PARA ENSAMBLAR:

MODE D'ASSEMBLAGE:

1. E → A
2. B, A → C
3. F → G
4. H, D → A
5. L → J
6. K → I
7. M, N, O, P → L
8. Q, R → L



**B, C, G & K
(NOT FURNISHED)
(NO INCLUIDA)
(NON FOURNIE)**

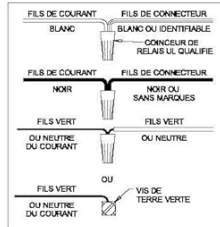
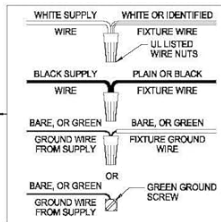


Figure 2: Diagram of fixture components and assembly steps.

Included Components:

- Mounting strap for outlet box
- Mounting hardware (screws, wire nuts)
- Fixture body with pre-wired electrical leads
- Alabaster glass dome shade
- Decorative finial
- Installation instructions sheet

Note: Light bulbs are not included and must be purchased separately.

4. INSTALLATION INSTRUCTIONS

Follow these steps to install your ceiling light fixture. It is recommended to have a second person assist during installation to ensure safety and ease of handling.

1. **Turn Off Power:** Before starting, ensure the electrical power to the junction box is turned off at the main circuit breaker or fuse box.
2. **Prepare Mounting:** Attach the mounting strap to the outlet box using the provided screws. Ensure

the mounting strap is securely fastened.

3. **Wire Connections:** Carefully connect the fixture's electrical wires to the corresponding house wires using the provided wire nuts.
 - Connect the black wire from the fixture to the black (hot) wire from the outlet box.
 - Connect the white wire from the fixture to the white (neutral) wire from the outlet box.
 - Connect the copper ground wire from the fixture to the green or bare copper ground wire from the outlet box.

Ensure all connections are secure.

4. **Mount Fixture Body:** Carefully tuck the wires into the outlet box. Align the fixture body with the mounting strap and secure it using the provided screws.
5. **Install Light Bulbs:** Screw two 75-watt maximum, medium base (E26) bulbs or LED equivalents (sold separately) into the sockets.
6. **Attach Glass Shade:** Place the alabaster glass dome shade onto the fixture body. Secure it with the decorative finial by screwing it onto the threaded rod at the bottom of the fixture. Do not overtighten.
7. **Restore Power:** Once installation is complete, turn the electrical power back on at the circuit breaker or fuse box.



DATE: _____ TYPE: _____

NAME: _____

PROJECT: _____



Incandescent

P3925-09

Melon

Two-light flush mount with dome shaped alabaster glass, solid trim and decorative knobs. Center lock-up with matching finial.

- Brushed Nickel finish.
- Alabaster Glass.
- Decorative details.

Category: Close-to-Ceiling

Finish: Brushed Nickel (Plated)

Construction: Steel construction

Glass/Shade: Alabaster glass bowl

Diameter: 13-1/4"
Height: 5-7/8"

Glass
Width: 9-13/16"
Height: 3-9/16"

MOUNTING	ELECTRICAL	LAMPING	ADDITIONAL INFORMATION
Ceiling flush mounted	Pre-wired	Quantity:	cCSAus Damp location listed
Mounting strap for outlet box included	6" of wire supplied	Two 75w max. Medium Base	1 year warranty
Ceiling pan covers a standard 4" octagonal recessed outlet box	120 V	E26 base ceramic sockets	

Figure 3: Detailed installation sheet for Model P3925-09.

Your browser does not support the video tag.

Video 1: Overview of Progress Lighting Brushed Nickel fixtures, demonstrating general aesthetics and potential applications.

5. OPERATING YOUR LIGHT FIXTURE

This fixture operates like a standard ceiling light. Once installed and power is restored, it can be controlled via a wall switch (not included).

- **On/Off:** Use the connected wall switch to turn the light fixture on or off.
- **Dimming:** If using dimmable bulbs and a compatible dimmer switch (both sold separately), you can adjust the light intensity to create your desired ambiance.

Your browser does not support the video tag.

Video 2: Informational video on Close-to-Ceiling Lighting Trends, showcasing various applications and styles.

6. MAINTENANCE

Regular maintenance will help preserve the appearance and functionality of your light fixture.

- **Cleaning:** To clean the fixture, turn off the power and allow it to cool. Wipe the metal parts with a soft, dry cloth. Clean the glass shade with a mild glass cleaner and a soft cloth. Avoid abrasive cleaners or pads, as they may damage the finish.
- **Bulb Replacement:**
 - a. Turn off the power to the fixture at the circuit breaker.
 - b. Carefully unscrew the decorative finial at the bottom of the glass shade.
 - c. Remove the glass shade.
 - d. Unscrew the old bulbs and replace them with new 75-watt maximum, medium base (E26) bulbs or LED equivalents.
 - e. Reattach the glass shade and secure it with the decorative finial.
 - f. Restore power to the fixture.

7. TROUBLESHOOTING

If your fixture is not operating correctly, refer to the following table for common issues and solutions:

Problem	Possible Cause	Solution
Light does not turn on.	Power is off at the circuit breaker. Loose wire connections. Faulty bulb.	Check the circuit breaker and ensure power is on. Verify all wire connections are secure (turn off power first). Replace the bulb with a new one.
Light flickers.	Loose bulb. Incorrect bulb type for dimmer. Loose wire connections.	Tighten the bulb. Ensure dimmable bulbs are used with a compatible dimmer. Check wire connections (turn off power first).
Glass shade is difficult to remove/install.	Finial overtightened. Glass misaligned.	Gently loosen the finial. Ensure the glass shade is centered before securing the finial.

8. PRODUCT SPECIFICATIONS

Feature	Detail
Brand	Progress Lighting

Feature	Detail
Model Number	P3925-09
Color	Brushed Nickel
Material	Alloy Steel (Fixture), Glass (Shade)
Style	Traditional
Light Fixture Form	Close to Ceiling
Room Type	Bathroom, Hallway, Lobby (Versatile for Kitchen, Bedroom, Living Room)
Indoor/Outdoor Usage	Indoor (Damp Location Listed)
Power Source	AC
Number of Light Sources	2
Voltage	120 Volts
Wattage	75 watts (max per bulb)
Bulb Base	E26 (Medium Base)
Item Dimensions (L x W x H)	13.25"L x 13.25"W x 5.88"H
Item Weight	4 Pounds
Required Assembly	Yes
Certification	UL Listed, cCSAus Damp Location Listed

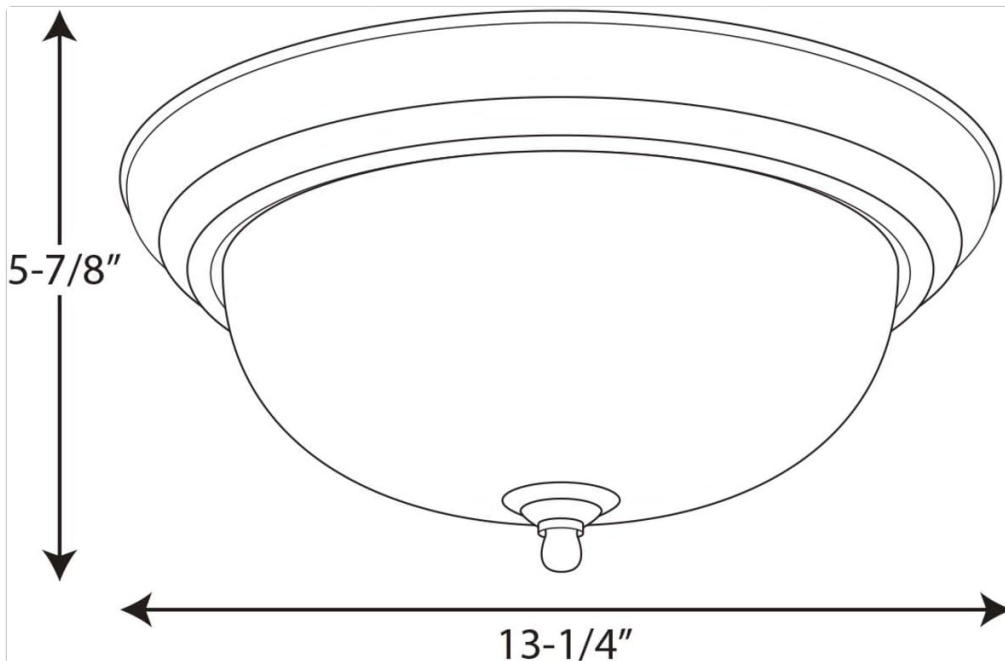


Figure 4: Dimensional drawing of the fixture, showing 13-1/4" diameter and 5-7/8" height.



Figure 5: Close-up view of the brushed nickel finial at the base of the glass shade.

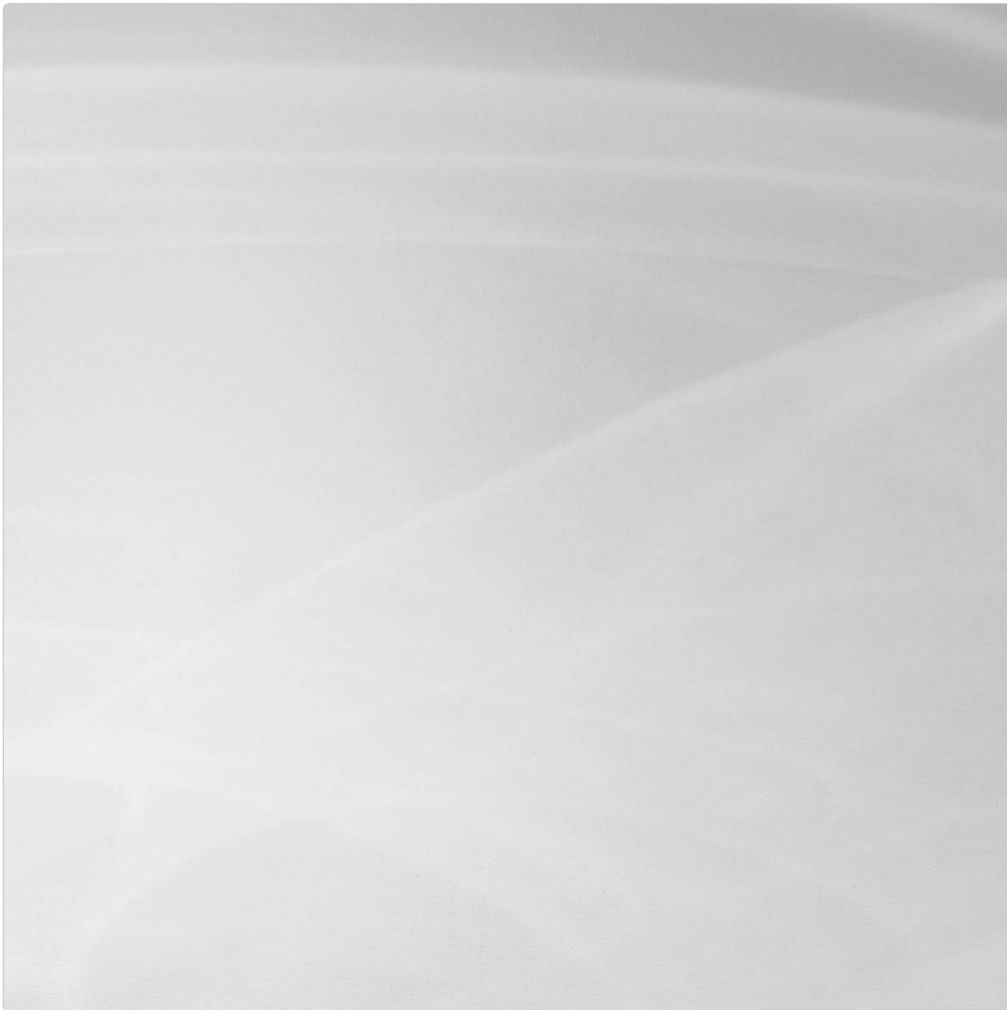


Figure 6: Close-up view of the brushed nickel rim of the fixture.

9. WARRANTY INFORMATION

This Progress Lighting fixture is backed by a **1-year limited warranty**. This warranty covers defects in materials and workmanship under normal use and service. For specific terms and conditions, please refer to the warranty documentation included with your product or contact Progress Lighting customer support.

10. CUSTOMER SUPPORT

For further assistance, technical support, or to inquire about replacement parts, please visit the official Progress Lighting store or contact their customer service department.

Progress Lighting Store: [Visit Store](#)