

[Manuals.plus](#) /

> [Intex](#) /

> Intex Deluxe Pool Ladder with Removable Steps Pre-formed User Manual

## Intex 28074

# Intex Deluxe Pool Ladder with Removable Steps User Manual

Model: 28074

## PRODUCT OVERVIEW

---

The Intex Deluxe Pool Ladder is designed for safe and convenient entry and exit from above-ground pools. It features a sturdy frame, wide steps, and a removable step system for enhanced safety, preventing unsupervised access to the pool. This ladder is suitable for pools with wall heights of 48 inches to 52 inches and has a maximum load capacity of 300 pounds.





Figure 1: Fully assembled Intex Deluxe Pool Ladder.

## SAFETY INFORMATION

---

- Always supervise children when they are in or around the pool.
- Remove the outer steps or flip them up when the pool is not in use to prevent unsupervised access, especially by children.
- Ensure the ladder is placed on a stable, level surface.
- Do not exceed the maximum load capacity of 300 pounds.
- Inspect the ladder regularly for any signs of wear or damage. Do not use if damaged.

## SETUP AND ASSEMBLY

---

Before beginning assembly, ensure all parts are present and undamaged. Refer to the parts list provided in your product packaging. Assembly typically requires basic hand tools.

## Step 1: Identify Components

Lay out all components. Pay close attention to the main vertical poles, which are typically labeled 'A' and 'B' at their ends to ensure correct orientation during assembly. The steps and platform pieces are designed to fit specific sections.





Figure 2: Close-up view of the top platform and labeled poles (A and B) for correct assembly.

## **Step 2: Assemble the Frame**

Connect the main vertical poles and horizontal supports according to the instructions. The ladder features dual poles on each side for enhanced stability. Ensure all connections are secure and click into place where applicable.



Figure 3: The sturdy base and lower steps of the Intex pool ladder, showing the dual pole design for stability.

### **Step 3: Attach Steps and Platform**

The steps are designed to snap and lock into place. Ensure each step is firmly attached before proceeding. The top platform provides a stable transition point between the outside and inside of the pool.



Figure 4: Detail of the snap-and-lock mechanism for attaching the ladder steps securely.

#### **Step 4: Position the Ladder**

Once assembled, carefully position the ladder against the side of your above-ground pool. Ensure the base of the ladder is on a firm, level surface. The ladder is designed to fit pools with wall heights between 48 and 52 inches.



Figure 5: The Intex pool ladder correctly positioned for use with an above-ground pool.

## OPERATING THE LADDER

---

The Intex Deluxe Pool Ladder is designed for ease of use and safety. The primary operational feature is the removable steps.

### Using the Removable Steps

To remove the outer steps for safety, locate the two buttons on the side of the top platform. Press these buttons simultaneously and lift the outer ladder section. This detaches the steps, preventing unauthorized access to the pool. To reattach, align the steps with the slots and push down until they click securely into place.



Figure 6: A user demonstrating safe and stable use of the Intex pool ladder for exiting the pool.

## MAINTENANCE

---

Regular maintenance ensures the longevity and safety of your pool ladder.

- **Cleaning:** Periodically clean the ladder with mild soap and water. Avoid abrasive cleaners that could damage the material.
- **Inspection:** Before each use, inspect all steps, rails, and connections for any cracks, loose parts, or signs of corrosion. Ensure all locking mechanisms for the removable steps are functioning correctly.
- **Storage:** During off-season or extended periods of non-use, it is recommended to disassemble the ladder and store it in a dry, protected area away from direct sunlight and extreme temperatures.

## TROUBLESHOOTING

---

- **Ladder feels wobbly:** Ensure the ladder is placed on a completely flat and stable surface. Once the pool is filled

with water, the water's weight will help stabilize the ladder. Verify all assembly connections are tight and secure.

- **Difficulty identifying poles (A/B):** The main vertical poles are marked with 'A' and 'B' at their top ends. These markings are crucial for correct assembly. If markings are faded, refer to the detailed diagrams in the full instruction manual.
- **Steps not locking securely:** Check for any debris or obstructions in the locking mechanism. Ensure the steps are aligned correctly before pushing them into place until you hear a distinct click.

## SPECIFICATIONS

---

<b>Brand</b>	Intex
<b>Model Number</b>	28074
<b>Product Dimensions (W x H)</b>	51.18"W x 71.65"H (130 cm W x 182 cm H)
<b>Color</b>	Gray
<b>Item Weight</b>	11.35 Kilograms (25 pounds)
<b>Load Capacity</b>	300 pounds
<b>Number of Steps</b>	6
<b>Compatible Pool Wall Height</b>	48-inch to 52-inch
<b>Country of Origin</b>	China
<b>Date First Available</b>	November 22, 2010

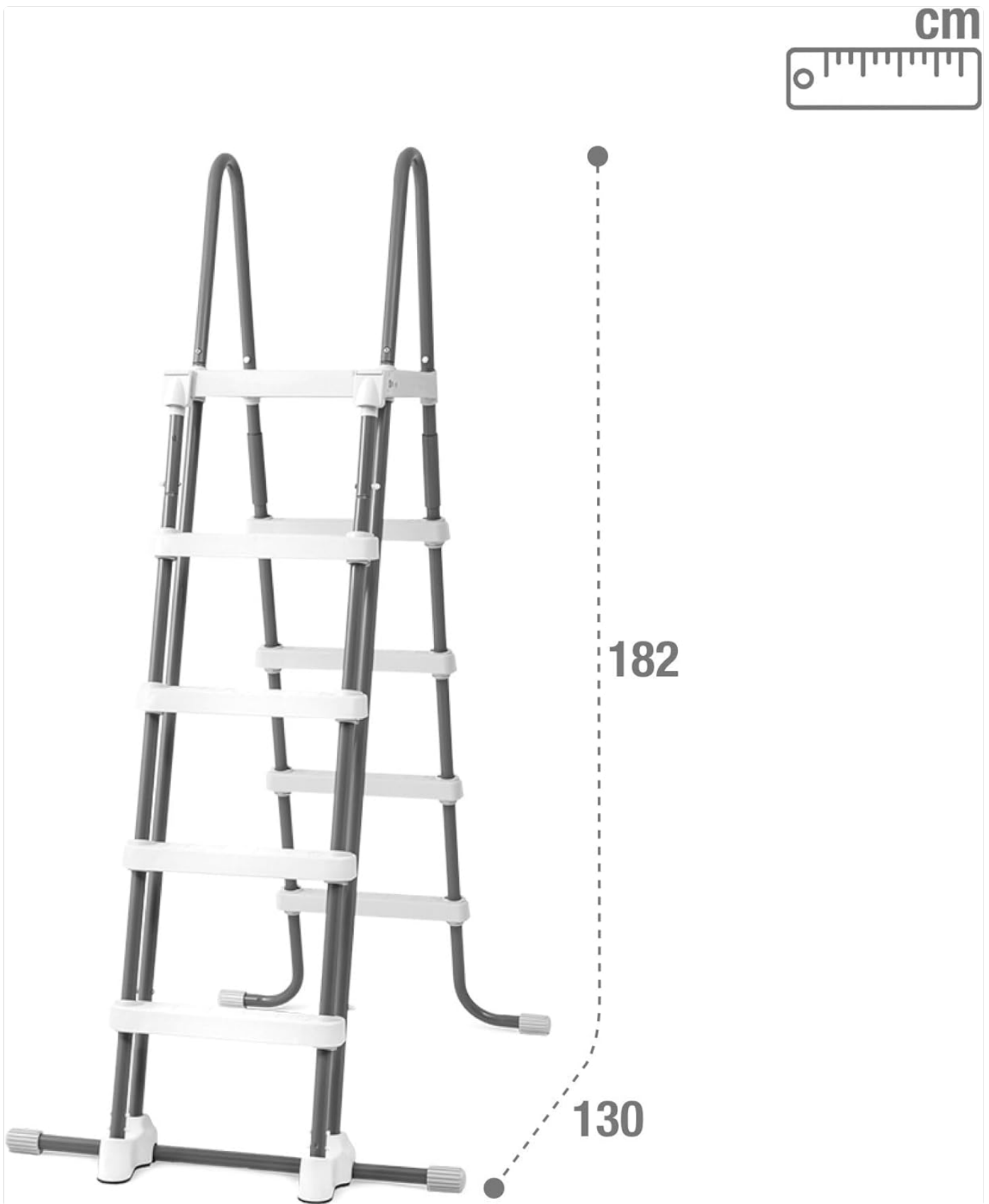


Figure 7: Dimensional diagram of the Intex Deluxe Pool Ladder.

## WARRANTY AND SUPPORT

For detailed warranty information, product registration, or technical support, please refer to the complete user manual included with your product or visit the official Intex website. Contact information for customer service is typically available on the manufacturer's packaging or website.



© 2024 Intex. All rights reserved.