

Manuals+

[Q & A](#) | [Deep Search](#) | [Upload](#)

manuals.plus /

- › [Kichler](#) /
- › [Kichler 300W Pro Series Transformer User Manual](#)

Kichler 15PR300SS

Kichler 300W Pro Series Transformer

USER MANUAL - MODEL 15PR300SS

1. Introduction

The Kichler 15PR300SS Professional Series 300-Watt Transformer is designed to provide reliable low-voltage power for landscape lighting applications. This unit features a commercial-grade toroid core and coil, ensuring efficient and quiet operation. It is equipped with pluggable timer and photocell outlets for automated control of your lighting system. The robust stainless steel construction ensures durability and a long service life.

This manual provides essential information for the safe installation, operation, and maintenance of your Kichler transformer. Please read all instructions carefully before proceeding with installation or use.

2. Safety Information

WARNING: Disconnect or unplug all power before installing or maintaining this equipment. Failure to do so may result in electric shock, injury, or death.

- This transformer is UL rated for wet locations, making it suitable for outdoor use.
- Do not use this product with swimming pool or spa fixtures.
- If used indoors, the cable must be routed through conduit.
- Ensure all local electrical codes are followed during installation.
- The in-line secondary magnetic breaker protects against short circuits.

3. Product Overview

The Kichler 15PR300SS transformer is housed in a durable stainless steel casing. Key features include:

- **Commercial Grade Toroid Core and Coil:** Provides energy efficiency, quieter operation, and reduced vibration compared to EI-type cores.
- **Dedicated Wire Loop:** Allows for quick access testing of the primary load.
- **Drop-Down Bottom Panel:** Features four pre-punched field knockouts (1/2-inch or 3/4-inch conduit) and one large center 1.75-inch inlet for wiring.



Figure 3.1: Front view of the Kichler 300W Pro Series Transformer.



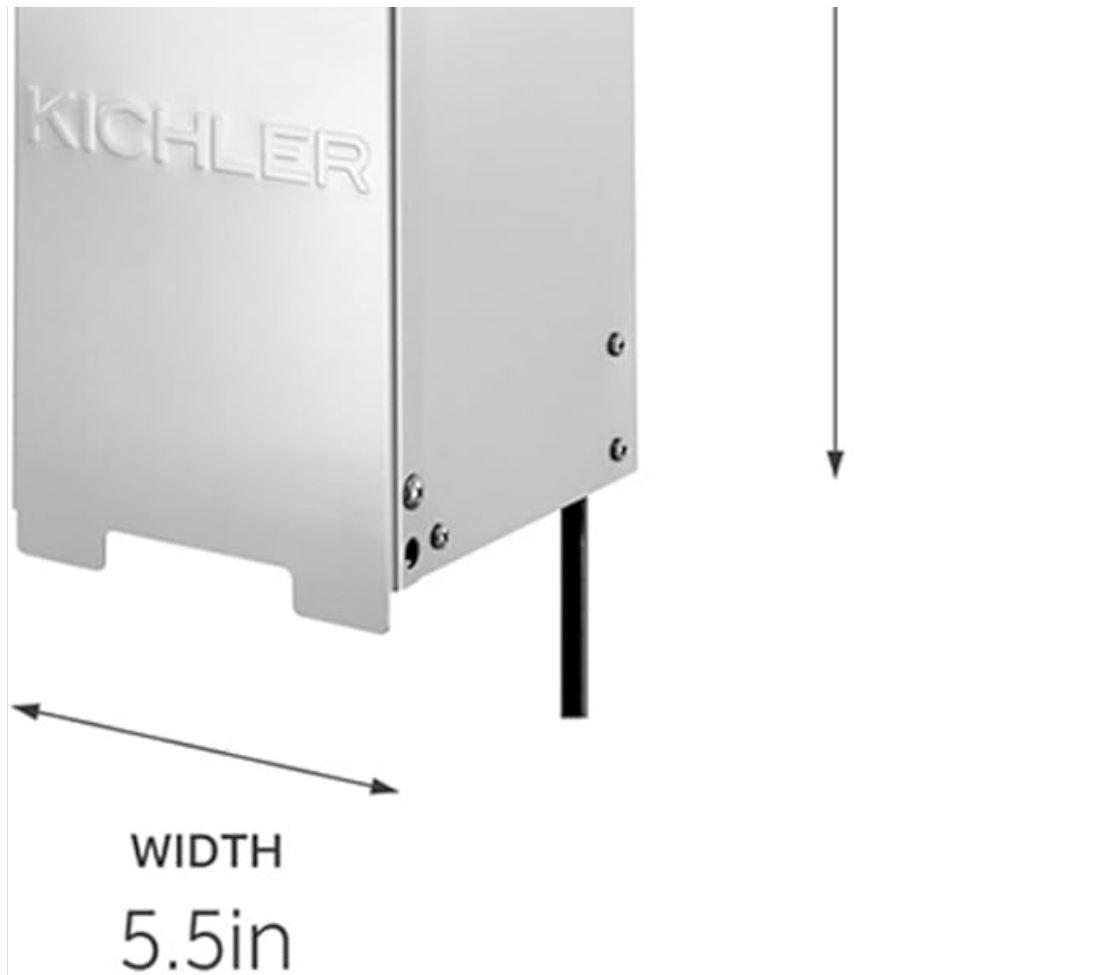


Figure 3.2: Side view illustrating the dimensions: 19 inches (Height) x 5.5 inches (Width) x 5.75 inches (Depth).





Figure 3.3: Internal view of the transformer, showing the wiring compartment and terminal board.

4. Setup and Installation

Proper installation is crucial for optimal performance and safety. This transformer is designed for wall mount installation.

4.1 Mounting

- Select a suitable outdoor location for wall mounting, ensuring it is accessible for wiring and maintenance.
- Use appropriate mounting hardware (included) to securely fasten the transformer to a sturdy surface.



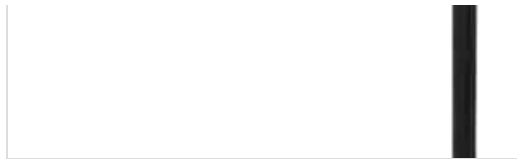


Figure 4.1: Example of the transformer installed on an exterior wall in a landscape setting.

4.2 Wiring and Voltage Drop Calculation

The transformer features 30-degree tilted taps on a 125-amp terminal board for easy wiring. Your transformer selection and wiring configuration will depend on the lighting design, total wattage required, and length of wire runs. Voltage drop will cause lamps to decrease in brightness the farther they are from the transformer. To minimize voltage drop and maximize light output, keep wire runs as short as possible.

$$A \text{ (length of wire)} \times B \text{ (total watts for all lamps on that wire run)} = C \text{ (cable constant)}$$

The cable constant for each wire gauge is as follows:

- **10 gauge:** 11920
- **12 gauge:** 7500 (no more than 250 watts or 200 feet)
- **14 gauge:** 3500 (no more than 200 watts or 150 feet)
- **16 gauge:** 2200 (no more than 150 watts or 100 feet)
- **18 gauge:** 1380

Ensure proper wire gauge is selected to prevent excessive voltage drop and ensure optimal performance of your lighting system.





Figure 4.2: Close-up view of the tilted terminal board, showing connection points for various voltage taps (12V, 13V, 14V, 15V).

5. Operating Instructions

Once installed and wired, the Kichler 300W Pro Series Transformer is ready for operation. It is designed for continuous use.

- **Power On:** Ensure the transformer is securely mounted and all wiring connections are correct before plugging the unit into a 120V AC power outlet.
- **Timer/Photocell Control:** The transformer includes pluggable outlets for a timer and photocell (sold separately). Install these accessories according to their respective instructions for automated lighting control.
- **Voltage Taps:** The terminal board offers multiple voltage taps (12V, 13V, 14V, 15V) to compensate for voltage drop on longer wire runs. Connect your landscape lighting wires to the appropriate tap to ensure consistent brightness across all fixtures.

6. Maintenance

The Kichler Professional Series Transformer is built for durability and requires minimal maintenance. Regular inspection can help ensure long-term performance.

- **Cleaning:** Periodically wipe down the stainless steel exterior with a soft, damp cloth to remove dirt and debris. Avoid abrasive cleaners.
- **Connection Check:** Annually, or as needed, inspect all wire connections at the terminal board to ensure they are secure and free from corrosion. **Always disconnect power before performing this check.**
- **Internal Protection:** Kichler Landscape Lighting Transformers feature epoxy encapsulation, secondary protection, and auto-reset circuit breakers for enhanced reliability and safety.

7. Troubleshooting

If you experience issues with your Kichler transformer, refer to the following common problems and solutions:

| Problem | Possible Cause | Solution |
|--------------------------------|---|---|
| No power to lights | Power outlet not active Loose wiring connections Tripped circuit breaker (internal or external) Faulty timer/photocell | Check power outlet with another device. Inspect and tighten all wire connections at the terminal board. Reset the internal magnetic breaker and/or home circuit breaker. Bypass or test the timer/photocell. |
| Lights are dim or inconsistent | Excessive voltage drop Overloaded circuit Incorrect voltage tap used | Re-calculate voltage drop and ensure appropriate wire gauge. Reduce total wattage on the circuit or add another transformer. Connect to a higher voltage tap (e.g., 14V or 15V) if applicable. |
| Transformer hums loudly | Loose mounting Overload | Ensure transformer is securely mounted. Check total wattage of connected lights; reduce if exceeding capacity. |

If problems persist after attempting these solutions, contact Kichler customer support or a qualified electrician.

8. Specifications

| Feature | Detail |
|---------------|----------------|
| Model Number | 15PR300SS |
| Wattage | 300 watts |
| Input Voltage | 120 Volts (AC) |

| Feature | Detail |
|------------------------|---|
| Output Voltage Taps | 12V, 13V, 14V, 15V |
| Current Rating | 125 Amps (terminal board) |
| Dimensions (H x W x D) | 19 in x 5.5 in x 5.75 in |
| Item Weight | 16.95 pounds |
| Material | Stainless Steel |
| Finish | Stainless Steel |
| Mounting Type | Wall Mount |
| UL Listed | Yes |
| Usage | General Purpose, Outdoor Low Voltage Lighting |

9. Warranty and Support

9.1 Warranty Information

Kichler warrants its products to be free from defects in material and workmanship. For this specific landscape product, the warranty is as follows:

- **Stainless Steel Transformers:** Warranted for normal use for as long as the original purchaser owns the Product.
- **General Landscape Products:** Five years.
- **Black and/or Textured Architectural Bronze finish transformers:** 10 years.

"Normal use" implies residential non-commercial use for no more than 6 hours per day in an environment not exceeding 25 degrees Celsius (approximately 77 degrees Fahrenheit).

If a warranted product is found defective, Kichler will, at its sole option and cost, replace, repair, or refund the product (less an amount attributable to prior use). This warranty is not transferable and does not cover labor or other costs for removal or installation of defective products. Light bulbs and the finish on outdoor polished brass products are not covered by warranty.

9.2 Customer Support

For further assistance, technical support, or warranty claims, please contact Kichler customer service. Refer to the official Kichler website or product packaging for the most current contact information.

You can also visit the [Kichler Store on Amazon](#) for more product information and accessories.

