

## Ushio BC1671

# Ushio BC1671 HX-601 Projector Halogen Light Bulb User Manual

Model: BC1671 | Brand: Ushio

## 1. INTRODUCTION

This manual provides essential information for the safe and effective use of your Ushio BC1671 HX-601 projector halogen light bulb. This bulb is a 575-watt, 115-volt T6 medium bi-pin (G9.5) base halogen incandescent lamp, designed for projector, stage, and studio applications. It features a clear finish and a color temperature of 3,050K, providing 12,800 lumens of light output with an average lifetime of 1,500 hours.

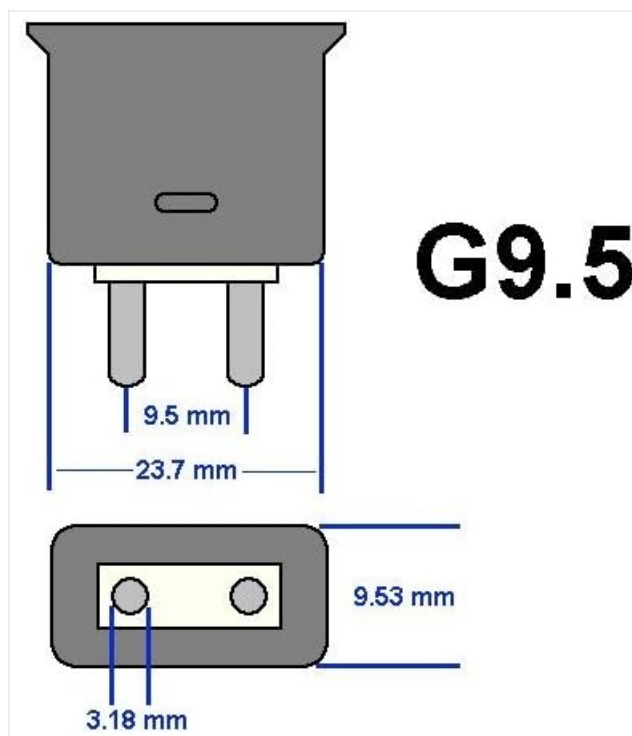


Figure 1: Ushio BC1671 HX-601 Projector Halogen Light Bulb. This image displays the general appearance of the Ushio BC1671 halogen bulb.

## 2. SAFETY INFORMATION

Please read and understand all safety instructions before installing or operating the bulb. Failure to follow

these instructions may result in electric shock, fire, or personal injury.

- **Power Disconnection:** Always disconnect power to the fixture before installing, removing, or servicing the bulb.
- **Cool Down Period:** Halogen bulbs operate at high temperatures. Allow the bulb to cool completely before handling to prevent burns.
- **Avoid Direct Contact:** Do not touch the glass part of the bulb with bare hands. Oils from your skin can create hot spots, leading to premature bulb failure. Use a clean cloth or gloves if handling is necessary.
- **Proper Fixture:** Use only in fixtures designed for halogen bulbs of the specified wattage and voltage.
- **Ventilation:** Ensure adequate ventilation around the fixture to dissipate heat.
- **Disposal:** Dispose of used bulbs according to local regulations.
- **Dimmable Feature:** This bulb is dimmable. Ensure your dimmer switch is compatible with halogen lamps.

### 3. SETUP AND INSTALLATION

---

Follow these steps for safe installation of the Ushio BC1671 bulb into a compatible projector or lighting fixture.

1. **Ensure Power is Off:** Turn off the projector or lighting fixture and unplug it from the power source.
2. **Allow Cooling:** If replacing an old bulb, allow sufficient time for the old bulb to cool down completely.
3. **Access Bulb Compartment:** Refer to your projector or fixture's manual for instructions on how to open the bulb compartment.
4. **Remove Old Bulb:** Carefully remove the old bulb. Avoid touching the glass of the new bulb with bare hands.
5. **Insert New Bulb:** Align the bi-pin (G9.5) base of the Ushio BC1671 bulb with the socket. Gently push the bulb straight into the socket until it is firmly seated. Do not force the bulb.
6. **Close Compartment:** Securely close the bulb compartment cover according to your fixture's instructions.
7. **Restore Power:** Plug the fixture back into the power source and turn it on.



Figure 2: G9.5 Bi-Pin Base Dimensions. This diagram illustrates the dimensions of the G9.5 bi-pin base, showing pin spacing and overall base size for compatibility reference.

## 4. OPERATING INSTRUCTIONS

---

The Ushio BC1671 bulb is designed for immediate illumination upon power application. It is a dimmable halogen lamp, allowing for adjustable light output when used with a compatible dimmer.

- **Initial Operation:** After installation, turn on the projector or fixture. The bulb should illuminate instantly.
- **Dimmable Functionality:** If connected to a compatible dimmer, adjust the dimmer control to achieve the desired light intensity.
- **Warm-up Time:** Halogen bulbs reach full brightness almost immediately.

- **Cool-down Time:** After turning off, the bulb will remain hot for a period. Avoid touching it until it has cooled.

## 5. MAINTENANCE

---

Proper maintenance can extend the life and performance of your Ushio BC1671 bulb.

- **Cleaning:** If the bulb's glass surface becomes dirty, ensure the bulb is cool and power is disconnected. Gently wipe the glass with a clean, lint-free cloth moistened with rubbing alcohol. Allow to dry completely before restoring power.
- **Inspection:** Periodically inspect the bulb and its connections for any signs of damage or wear. Replace the bulb if the glass is cracked or if the pins show signs of corrosion.
- **Replacement:** Replace the bulb when it reaches the end of its average lifetime (1,500 hours) or if it fails prematurely. Always use a genuine Ushio replacement bulb to ensure compatibility and performance.

## 6. TROUBLESHOOTING

---

If you encounter issues with your Ushio BC1671 bulb, consider the following common troubleshooting steps:

- **Bulb Does Not Light Up:**
  - Check if the fixture is properly plugged into a working power outlet.
  - Verify that the power switch for the fixture is in the "ON" position.
  - Ensure the bulb is correctly seated in its socket. Remove and re-insert if necessary, ensuring pins are aligned.
  - Inspect the bulb for any visible damage, such as a broken filament or cracked glass.
  - If using a dimmer, ensure it is set above the minimum level.
  - Test the fixture with a known working bulb, if available, to rule out a fixture issue.
- **Bulb Flickers:**
  - Check for loose connections in the socket or fixture wiring.
  - Ensure the dimmer switch (if used) is compatible with halogen bulbs and is not faulty.
  - Voltage fluctuations in your electrical supply can cause flickering.
- **Bulb Burns Out Quickly:**
  - Ensure the bulb's wattage and voltage match the fixture's requirements.
  - Verify that the bulb is not being touched with bare hands during installation, as skin oils can cause hot spots.
  - Check for adequate ventilation around the fixture to prevent overheating.
  - Excessive vibration or frequent switching on/off can reduce bulb life.

If these steps do not resolve the issue, consult a qualified technician or contact Ushio customer support.

## 7. SPECIFICATIONS

---

Detailed technical specifications for the Ushio BC1671 HX-601 Projector Halogen Light Bulb:

Feature	Specification
---------	---------------

Feature	Specification
Model Number	BC1671 (1002196)
Light Type	Halogen Incandescent
Wattage	575 Watts
Voltage	115 Volts
Bulb Base	Medium Bi-Pin (G9.5)
Bulb Shape Size	T6
Light Output (Lumens)	12,800 Lumens
Color Temperature	3,050 Kelvin (Warm White)
Average Lifetime	1,500 Hours
Finish	Clear
Special Feature	Dimmable
Product Dimensions	1.5 x 1.5 x 5 inches
Item Weight	1.28 ounces
Material	Copper
Indoor/Outdoor Usage	Indoor
Specific Uses	Projector, Stage, Studio

## 8. WARRANTY AND SUPPORT

---

The manufacturer's warranty for this product is not applicable as per the product information. For any technical assistance or inquiries regarding the Ushio BC1671 HX-601 bulb, please refer to the support channels provided by your product retailer or the official Ushio website.

Always ensure you are using genuine Ushio replacement parts for optimal performance and safety.