



Manuals.plus /

- › **Droll Yankees** /
- › Droll Yankees Classic Bird Feeder with Ring Pull Advantage (Model A-6RP) Instruction Manual

## Droll Yankees A-6RP

# Droll Yankees Classic Bird Feeder with Ring Pull Advantage

Model: A-6RP

## INTRODUCTION

---

The Droll Yankees Classic Bird Feeder with Ring Pull Advantage is a durable and easy-to-maintain tube feeder designed to attract a variety of birds to your yard. This feeder features six feeding stations, a 1-pound seed capacity, and a unique Ring Pull mechanism for effortless cleaning. Constructed from UV-stabilized polycarbonate and high-quality metal components, it is built to withstand outdoor elements and deter squirrels.



Image: The Droll Yankees Classic Bird Feeder shown in an outdoor setting, with several small birds, including finches and a cardinal, perched at its feeding stations, enjoying the mixed seeds.

## SETUP

---

- 1. Unpack Components:** Carefully remove all parts from the packaging. Ensure the feeder tube, metal top, bottom, and perches are present.
- 2. Initial Assembly:** The feeder is designed for tool-free assembly. The Ring Pull mechanism allows for quick disassembly and reassembly. Ensure all feeding ports and perches are securely in place.
- 3. Choose Mounting Location:** Select a location that is easily accessible for refilling and cleaning, yet safe from predators. The feeder can be hung using its stainless steel bail wire or pole mounted. For pole mounting, the base includes a threaded option.
- 4. Hang or Mount Feeder:** If hanging, use a sturdy hook or branch. If pole mounting, attach the feeder securely to a compatible pole system. Ensure the feeder is at least 5 feet off the ground and away from surfaces squirrels can jump from.



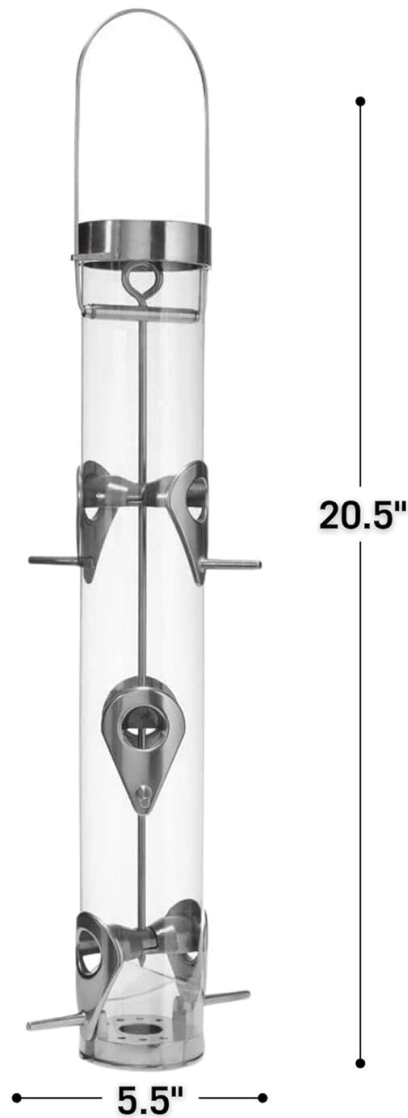
Image: A detailed view of the feeder's base, highlighting the integrated pole-mount option and the threaded base for attaching accessories like a seed tray (sold separately).

## OPERATING INSTRUCTIONS

1. **Select Seed Type:** This feeder is suitable for sunflower seed, mixed seed, peanut chunks, safflower seed, sunflower kernels, and cracked corn. Avoid using seeds that may be harmful to birds or attract unwanted pests.
2. **Fill Feeder:** To fill, simply lift the detachable cap at the top of the feeder. Pour your chosen birdseed into the tube. The feeder has a capacity of approximately 1 pound of birdseed.
3. **Secure Cap:** Once filled, replace the cap firmly to protect the seed from weather and pests.
4. **Observe Birds:** Birds will perch on the metal rods at each feeding station to access the seed. The internal baffle ensures seed flows consistently to the ports.



**1 Lb**  
Seed  
Capacity



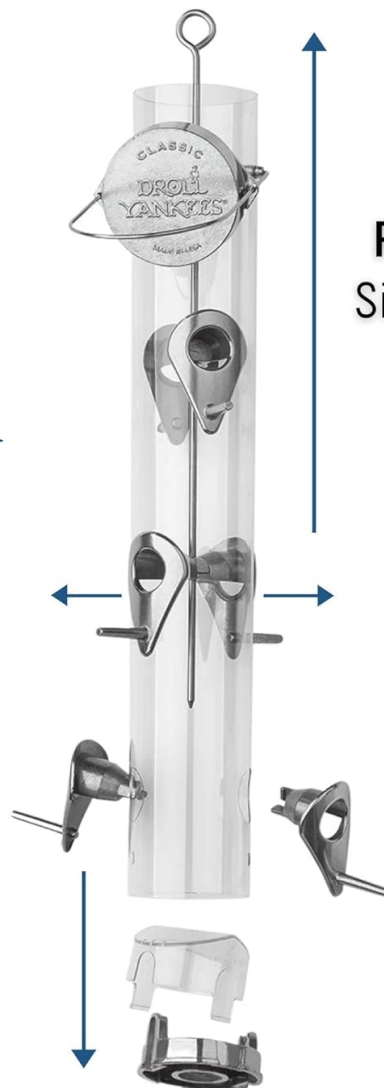
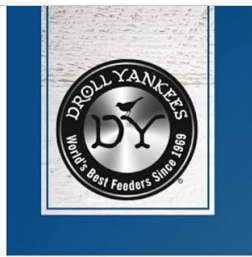
## BACKED BY A FOREVER PROMISE

Image: The bird feeder displayed with its key specifications, including a 1 lb seed capacity and overall dimensions of 5.5 inches by 20.5 inches, providing a clear understanding of its size.

### MAINTENANCE AND CLEANING

Regular cleaning of your bird feeder is crucial for the health of visiting birds and to prevent the spread of disease. The Droll Yankees Classic Bird Feeder is designed for easy, tool-free cleaning.

1. **Empty Feeder:** Before cleaning, empty any remaining seed. Discard old or wet seed, as it can harbor bacteria and mold.
2. **Disassemble with Ring Pull:** Open the top cap. Pull the central ring at the top of the feeder. This action disassembles the feeder, allowing the base, perches, and feeding ports to separate from the tube.
3. **Clean Components:** Wash all parts with a mild soap and water solution. For thorough cleaning, use a brush to remove any caked-on seed or debris. A diluted bleach solution (1 part bleach to 9 parts water) can be used for sanitization, followed by a thorough rinse.
4. **Rinse and Dry:** Rinse all components thoroughly with clean water to remove any soap or bleach residue. Allow all parts to air dry completely before reassembly to prevent mold growth.
5. **Reassemble Feeder:** Once dry, reassemble the feeder by aligning the components and pushing the central rod back into place until all parts are secure.



**Ring Pull Advantage**  
Simply pull the ring to  
disassemble the  
feeder in seconds.

## RING PULL ADVANTAGE FOR EASY CLEANING

Image: An exploded view diagram illustrating the "Ring Pull Advantage" feature, demonstrating how pulling the ring allows for quick and easy disassembly of the feeder's components for cleaning without the need for tools.

### TROUBLESHOOTING

- **Problem: Squirrels are accessing the seed.**  
**Solution:** The feeder features metal ports that are resistant to squirrel chewing. Ensure the feeder is placed in a location where squirrels cannot easily jump onto it from nearby trees or structures. Consider adding a squirrel baffle above or below the feeder.
- **Problem: Birds are not visiting the feeder.**  
**Solution:** Ensure the feeder is clean and filled with fresh, appropriate seed. Place the feeder in a quiet, sheltered location, visible to birds but away from heavy human traffic. Birds may take some time to discover a new feeder.
- **Problem: Seed is not flowing to the ports.**  
**Solution:** Check for clogs caused by wet or old seed. Disassemble and clean the feeder thoroughly. Ensure the internal baffle is correctly positioned during reassembly.

### SPECIFICATIONS

Feature	Detail
Model Number	A-6RP
Capacity	1 Pound (seed)
Feeding Stations	6
Dimensions (L x W x H)	5.5" x 5.5" x 20"
Material	UV-stabilized Polycarbonate Tube, Metal Components
Mounting Type	Hanging Mount, Pole Mount (optional)
Special Features	Ring Pull Advantage for Easy Cleaning, Squirrel Proof Ports

## WARRANTY AND SUPPORT

---

Droll Yankees products are known for their durability and quality. This feeder is backed by a "Forever Promise," indicating a commitment to long-lasting performance. For specific warranty details, product support, or to inquire about replacement parts, please refer to the official Droll Yankees website or contact their customer service directly. Keep your purchase receipt for any warranty claims.