



[Manuals.plus](#) /

> [WENKO](#) /

> WENKO Bamboo Toilet Seat with Stainless Steel Fixings, Dark Brown, Model 144726

WENKO 144726

WENKO Bamboo Toilet Seat Instruction Manual

Model: 144726

INTRODUCTION

Thank you for choosing the WENKO Bamboo Toilet Seat. This manual provides essential information for the proper installation, operation, and maintenance of your new toilet seat. Crafted from authentic bamboo with durable stainless steel fixings, this toilet seat is designed for comfort, hygiene, and longevity. Each bamboo seat is unique due to its natural material, and its multi-layered varnish ensures a smooth, easy-to-clean, and moisture-resistant surface.



Image: The WENKO Bamboo Toilet Seat in a closed position, showcasing its natural bamboo finish and stainless steel hinges.

SETUP AND INSTALLATION

Before installation, ensure all components are present and undamaged. The WENKO Bamboo Toilet Seat is designed to fit all standard toilet models.

Components:

- Bamboo Toilet Seat (Lid and Ring)
- Stainless Steel Hinges and Fixings
- Mounting Hardware (screws, washers, nuts)

Installation Steps:

1. **Prepare the Toilet:** Ensure the toilet bowl is clean and dry. Remove any old toilet seat and its fixings.
2. **Position the Hinges:** Place the stainless steel hinges onto the mounting holes at the back of the toilet bowl.



Image: Top view of the toilet seat showing the stainless steel hinges attached to the bamboo lid and ring.

3. **Secure the Fixings:** Insert the screws through the hinges and mounting holes. From underneath the toilet bowl, attach the washers and nuts, then tighten them securely. Do not overtighten to avoid damaging the porcelain.
4. **Adjust Alignment:** Ensure the toilet seat is properly aligned with the toilet bowl. The fixing distance is adjustable between 13 cm and 17 cm (5.1 to 6.7 inches).

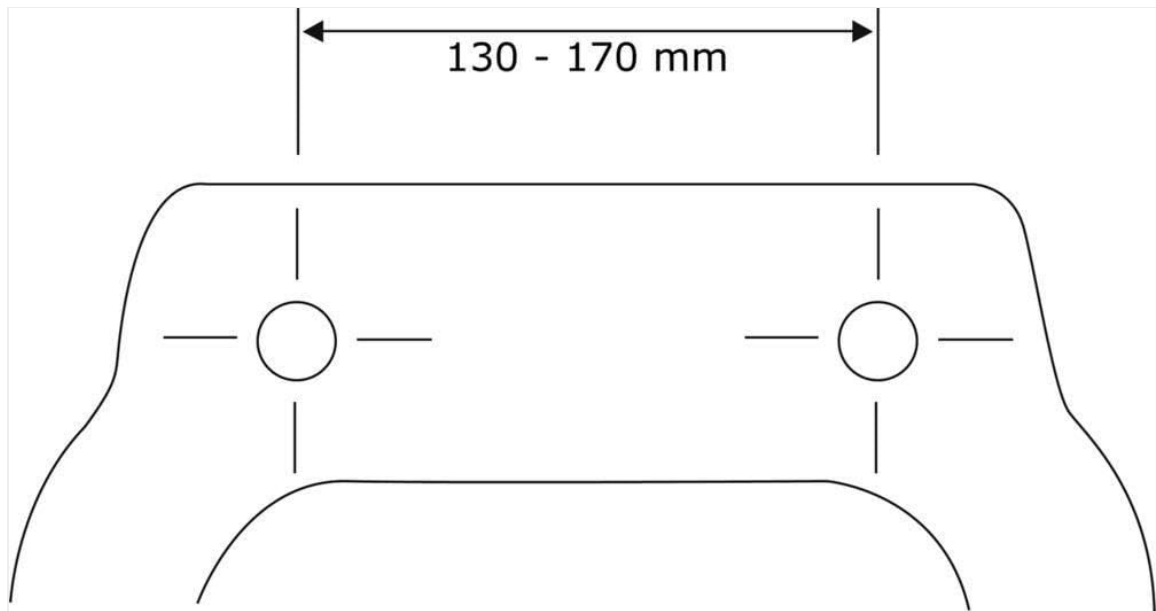


Image: Diagram illustrating the adjustable hinge spacing, ranging from 130 mm to 170 mm (13 cm to 17 cm).

- 5. Test Stability:** Gently lower the seat and lid. Check for any wobbling. If the seat is loose, tighten the fixings further.

Dimensions for Compatibility:

Please refer to the following diagrams for detailed dimensions to ensure compatibility with your toilet bowl.

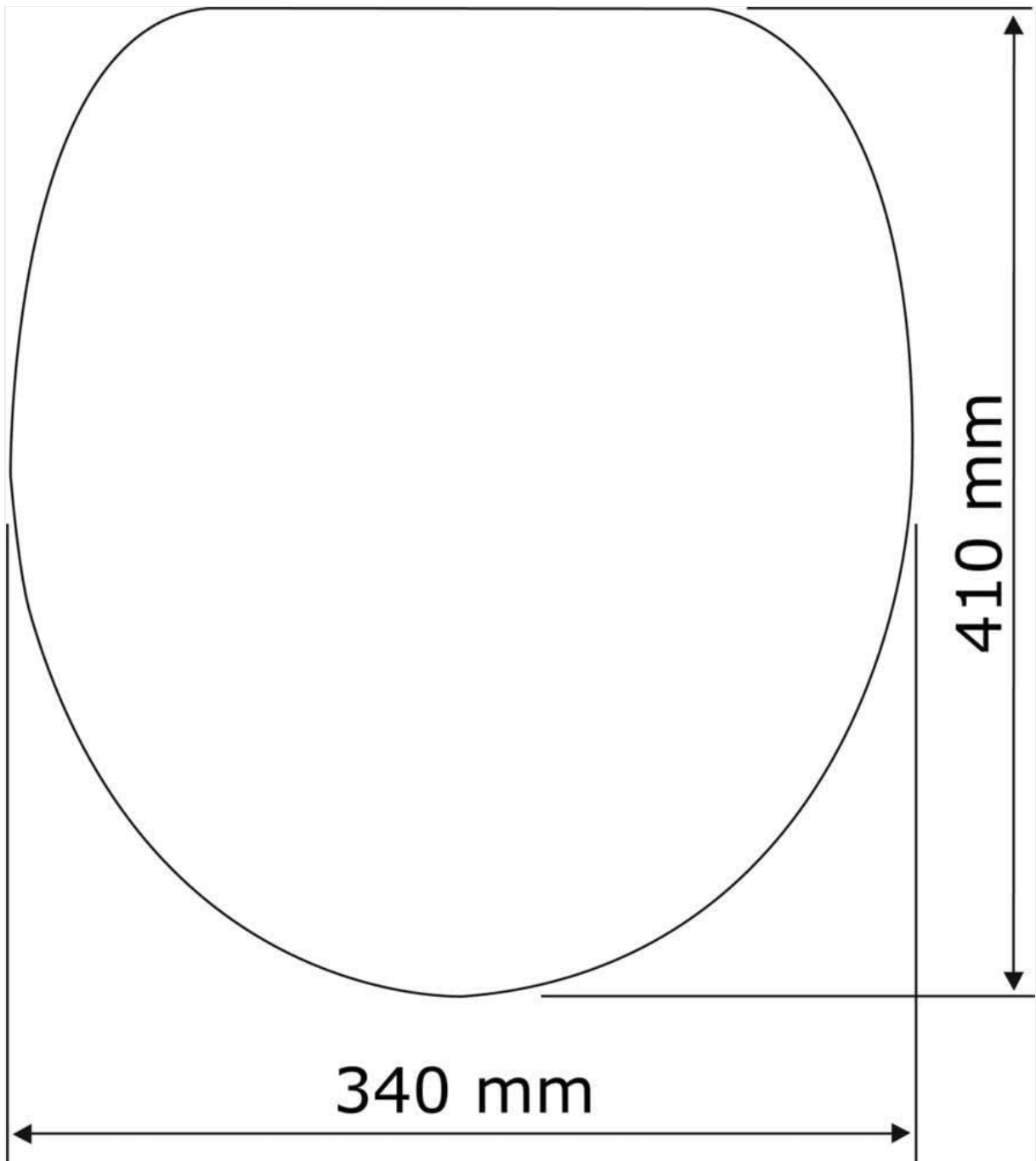


Image: Diagram showing the dimensions of the toilet seat lid: 340 mm (13.39 inches) width and 410 mm (16.14 inches) length.

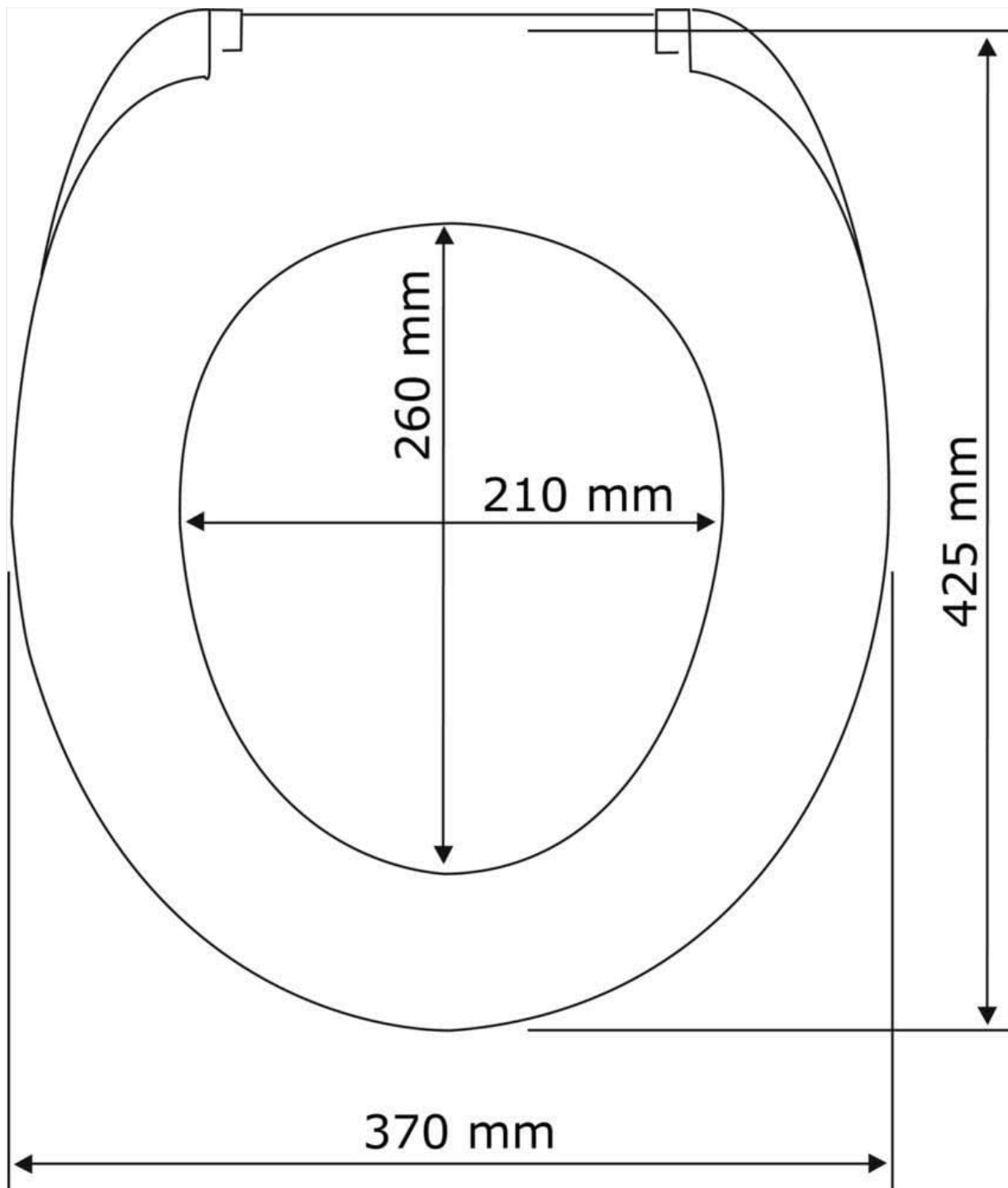


Image: Diagram showing the dimensions of the toilet seat ring: outer dimensions 370 mm (14.57 inches) width and 425 mm (16.73 inches) length; inner dimensions 210 mm (8.27 inches) width and 260 mm (10.24 inches) length.

OPERATING INSTRUCTIONS

The WENKO Bamboo Toilet Seat operates manually. Simply lift the lid and seat as needed. Ensure the seat is fully lowered before use to prevent damage or injury.

CARE AND MAINTENANCE

Proper care will ensure the longevity and hygienic condition of your WENKO Bamboo Toilet Seat.

- **Cleaning:** The multi-layered varnished surface is smooth and easy to clean. Use a soft cloth with mild soap and water. Avoid abrasive cleaners, harsh chemicals, or scouring pads, as these can damage the bamboo finish and varnish.

- **Drying:** After cleaning, wipe the seat dry with a clean, soft cloth to prevent water spots and maintain the finish.
- **Hinge Care:** Periodically check the stainless steel hinges for tightness. If they become loose, gently retighten the nuts. The stainless steel is designed to be rust-free.



Image: Logo indicating "EDELSTAHL Rost frei" (Stainless steel rust-free), highlighting the durability of the metal components.

- **Avoid Excessive Moisture:** While the seat is moisture-resistant, prolonged exposure to standing water should be avoided.
- **Natural Material:** Bamboo is a natural material. Minor variations in grain and color are normal and contribute to the unique character of each seat.

NATURMATERIAL BAMBUS



- ✓ Langlebig
- ✓ Jedes Produkt ist individuell
- ✓ Schnell nachwachsender Rohstoff



Image: The WENKO Bamboo Toilet Seat with text indicating "NATURMATERIAL BAMBUS" (Natural material bamboo), emphasizing its durability, unique individual character, and use of fast-growing raw material.

LACKIERTE OBERFLÄCHE

hygienisch



- ✓ Nachhaltig
- ✓ Wohlgefühlcharakter
- ✓ Stabil

Image: The WENKO Bamboo Toilet Seat with text indicating "LACKIERTE OBERFLÄCHE" (Lacquered surface), highlighting its hygienic properties, sustainability, comfort, and stability.

TROUBLESHOOTING

Seat is Loose or Wobbles:

- Check the tightness of the nuts underneath the toilet bowl. Gently tighten them until the seat is stable.
- Ensure the hinges are correctly positioned in the mounting holes.

Seat Does Not Align Properly:

- Loosen the hinge fixings slightly and adjust the position of the seat until it is centered on the toilet bowl. Retighten the fixings.

Surface Damage:

- Avoid using harsh chemicals or abrasive materials for cleaning, as these can damage the varnished bamboo surface. Refer to the "Care and Maintenance" section for proper cleaning instructions.

SPECIFICATIONS

Brand:	WENKO
Model Number:	144726
Material:	Bamboo, Stainless Steel (fixings)
Color:	Dark Brown
Product Dimensions (Lid):	34 cm (13.39") W x 41 cm (16.14") L
Product Dimensions (Outer Ring):	37 cm (14.57") W x 42.5 cm (16.73") L
Product Dimensions (Inner Ring):	21 cm (8.27") W x 26 cm (10.24") L
Fixing Distance:	13 cm - 17 cm (5.1" - 6.7")
Item Weight:	2.2 Kilograms (4.85 lbs)
UPC:	791429530840

WARRANTY AND SUPPORT

For warranty information or technical support, please contact WENKO customer service directly. Refer to the product packaging or the official WENKO website for contact details.

Note: This product is designed for standard household use. Any modifications or improper use may void the warranty.