

Dometic RC 1600 EGP

Dometic CombiCool RC 1600 EGP Portable Absorption Cooler

User Manual

1. INTRODUCTION

Thank you for choosing the Dometic CombiCool RC 1600 EGP portable absorption cooler. This appliance is designed to provide reliable cooling for your food and beverages, offering versatile power options including 12V DC, 230V AC, and 50 mbar gas. With a robust 31-liter capacity, it is ideal for use in cars, trucks, camping, and other leisure activities. This manual provides essential information for safe and efficient operation.

2. SAFETY INSTRUCTIONS

Please read and understand all safety instructions before operating the cooler. Failure to follow these instructions may result in injury or damage to the appliance.

- This appliance is suitable for use in enclosed spaces or outdoors.
- Always read the operating instructions carefully before initial use.
- Ensure the device is installed and operated according to the standards of your country.
- **Gas Operation:** Only operate the appliance with liquid gas in a **well-ventilated area**. Never use gas indoors, in tents, or in unventilated vehicles.
- Protect the appliance from rain and direct moisture.
- Keep ventilation openings clear and unobstructed to ensure proper airflow.
- Do not store explosive substances such as aerosol cans with a flammable propellant in this appliance.
- Do not damage the refrigerant circuit.
- Supervise children to ensure they do not play with the appliance.

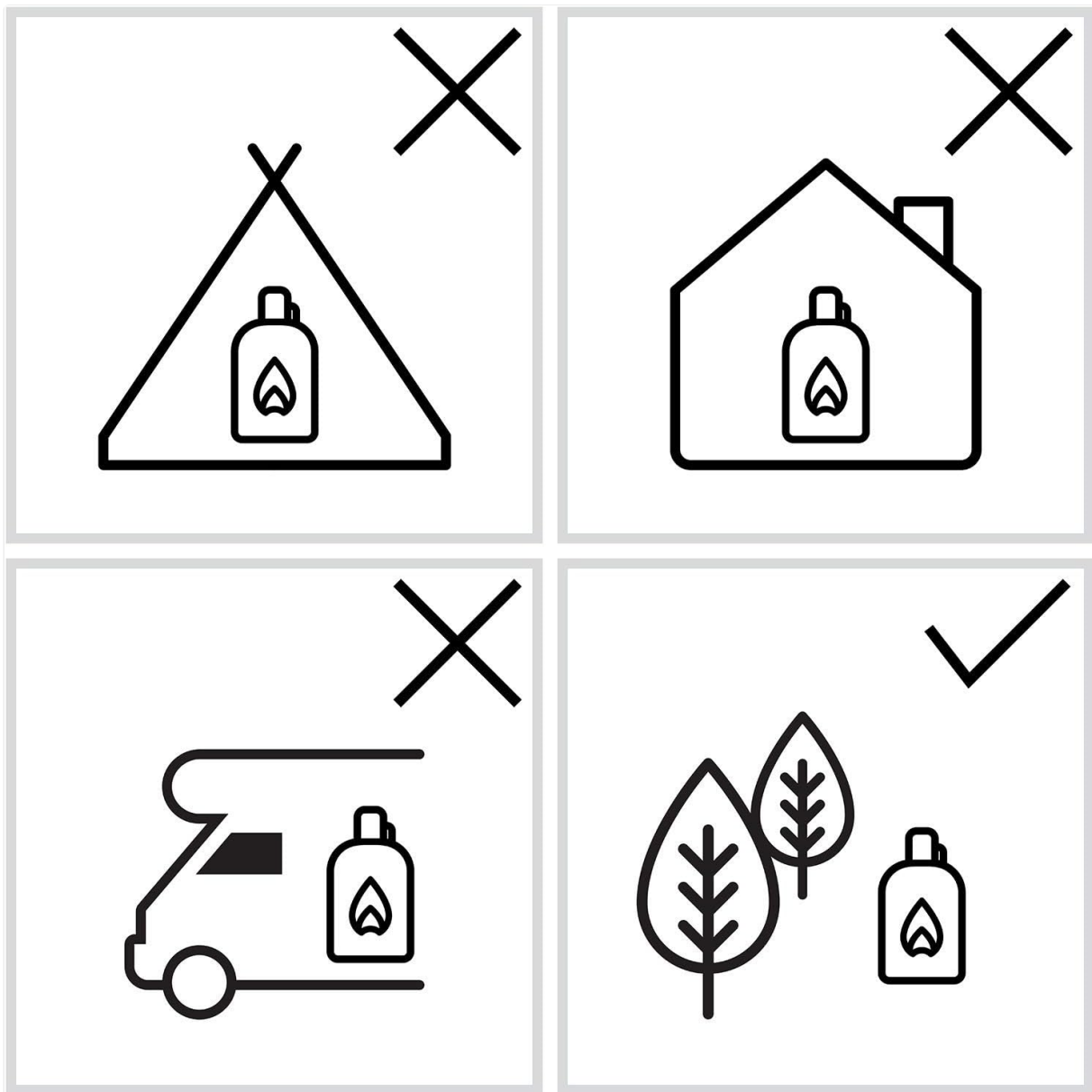


Figure 1: Permitted and prohibited environments for gas operation. Gas operation is only allowed in open, well-ventilated outdoor areas.

3. SETUP AND INSTALLATION

3.1 Unpacking and Initial Inspection

- Carefully remove the cooler from its packaging.
- Inspect the appliance for any signs of damage during transit. If damaged, do not operate and contact your supplier.
- Clean the interior and exterior of the cooler with a damp cloth before first use.

3.2 Placement

- Place the cooler on a firm, level surface to ensure proper operation of the absorption system.
- Ensure adequate ventilation around the appliance, especially at the rear where the cooling unit is located. Maintain a minimum clearance of 10 cm on all sides.
- Avoid placing the cooler in direct sunlight or near heat sources to maximize cooling efficiency.

3.3 Connecting to Power Sources



Figure 2: 12V DC and 230V AC power cables.

- **230V AC Mains:** Connect the 230V AC plug to a standard wall socket. Ensure the voltage matches the appliance's requirements (230V).
- **12V DC Vehicle:** Connect the 12V DC plug to your vehicle's cigarette lighter socket or a dedicated 12V power outlet. Ensure the vehicle's engine is running or the battery is sufficiently charged to avoid draining it.
- **Gas (50 mbar):** Connect the gas hose to the appliance's gas inlet and to a suitable 50 mbar gas regulator on your gas cylinder. Ensure all connections are tight and leak-free. Refer to Figure 3 for gas controls.

4. OPERATING INSTRUCTIONS

The Dometic CombiCool RC 1600 EGP offers three operating modes: 230V AC, 12V DC, and Gas. Select the appropriate mode using the control panel.



Figure 3: Control panel for power selection and gas ignition.

4.1 Selecting Power Mode

1. 230V AC Operation:

- Ensure the 230V AC cable is connected to a mains supply.
- Turn the power selector knob (labeled with '0', '1', '2', '3', '4') to the '230V' position (often indicated by a plug symbol or a specific number setting for AC).
- The cooler will begin to cool.

2. 12V DC Operation:

- Ensure the 12V DC cable is connected to your vehicle's 12V socket.
- Turn the power selector knob to the '12V' position (often indicated by a battery symbol or a specific number setting for DC).
- The cooler will begin to cool. Note that 12V operation typically provides less cooling power than 230V or gas.

3. Gas Operation:

- Ensure the gas cylinder is connected and the gas valve is open.
- Turn the gas selector knob (labeled with flame symbols) to the desired flame size.
- Press and hold the ignition button (often marked with a spark symbol) while simultaneously

pressing the gas selector knob inwards.

- Observe the flame indicator (if present) or listen for the ignition sound. Once ignited, hold the knob for a few more seconds before releasing.
- If the flame does not ignite, repeat the process.
- **Important:** Always ensure adequate ventilation when operating on gas.

4.2 Temperature Control

The Dometic CombiCool RC 1600 EGP does not feature an adjustable temperature control. It cools to approximately 30 degrees Celsius below the ambient temperature. For optimal performance, pre-cool items before placing them in the cooler.

5. MAINTENANCE

5.1 Cleaning

- Disconnect the cooler from all power sources before cleaning.
- Clean the interior and exterior with a soft cloth and a mild detergent. Do not use abrasive cleaners or solvents.
- Wipe dry thoroughly.
- Regularly clean the ventilation grilles to prevent dust and debris buildup, which can impair cooling performance.

5.2 Storage

- When not in use for extended periods, ensure the cooler is clean and dry.
- Leave the lid slightly ajar to prevent odors and mildew formation.
- Store in a dry, well-ventilated area.

6. TROUBLESHOOTING

If your Dometic CombiCool RC 1600 EGP is not functioning as expected, consult the following common issues before contacting service.

Problem	Possible Cause	Solution
Cooler not cooling (AC/DC)	No power supply; faulty cable; ventilation blocked.	Check power connection; inspect cables; ensure ventilation openings are clear.
Cooler not cooling (Gas)	Gas cylinder empty; gas valve closed; ignition failure; poor ventilation.	Check gas level; open gas valve; repeat ignition procedure; ensure adequate ventilation.
Poor cooling performance	High ambient temperature; direct sunlight; overloaded; insufficient ventilation.	Move to a cooler, shaded area; ensure proper ventilation; do not overload; pre-cool items.
Gas flame goes out	Wind; insufficient gas flow; safety device activated.	Shield from wind; check gas supply; re-ignite.

If the problem persists after attempting these solutions, please contact Dometic customer service or an authorized service center.

7. SPECIFICATIONS

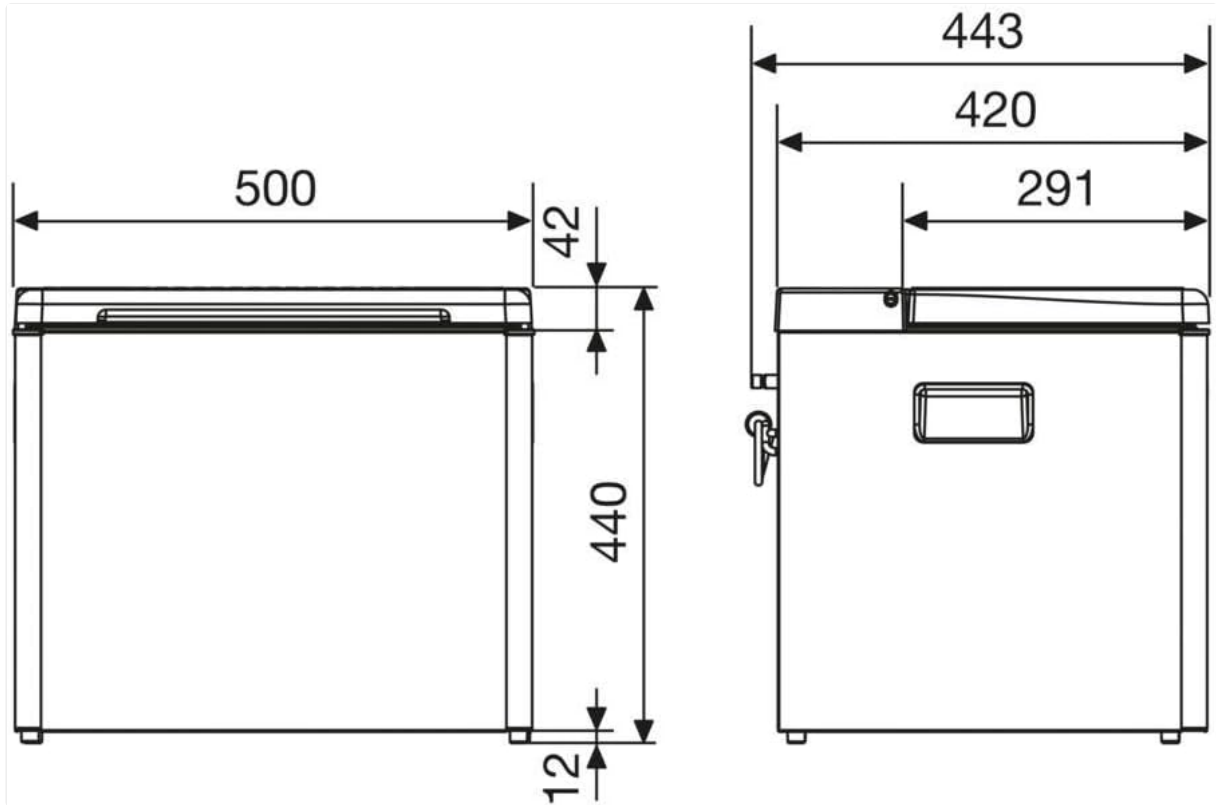


Figure 4: Dimensional drawing of the cooler.

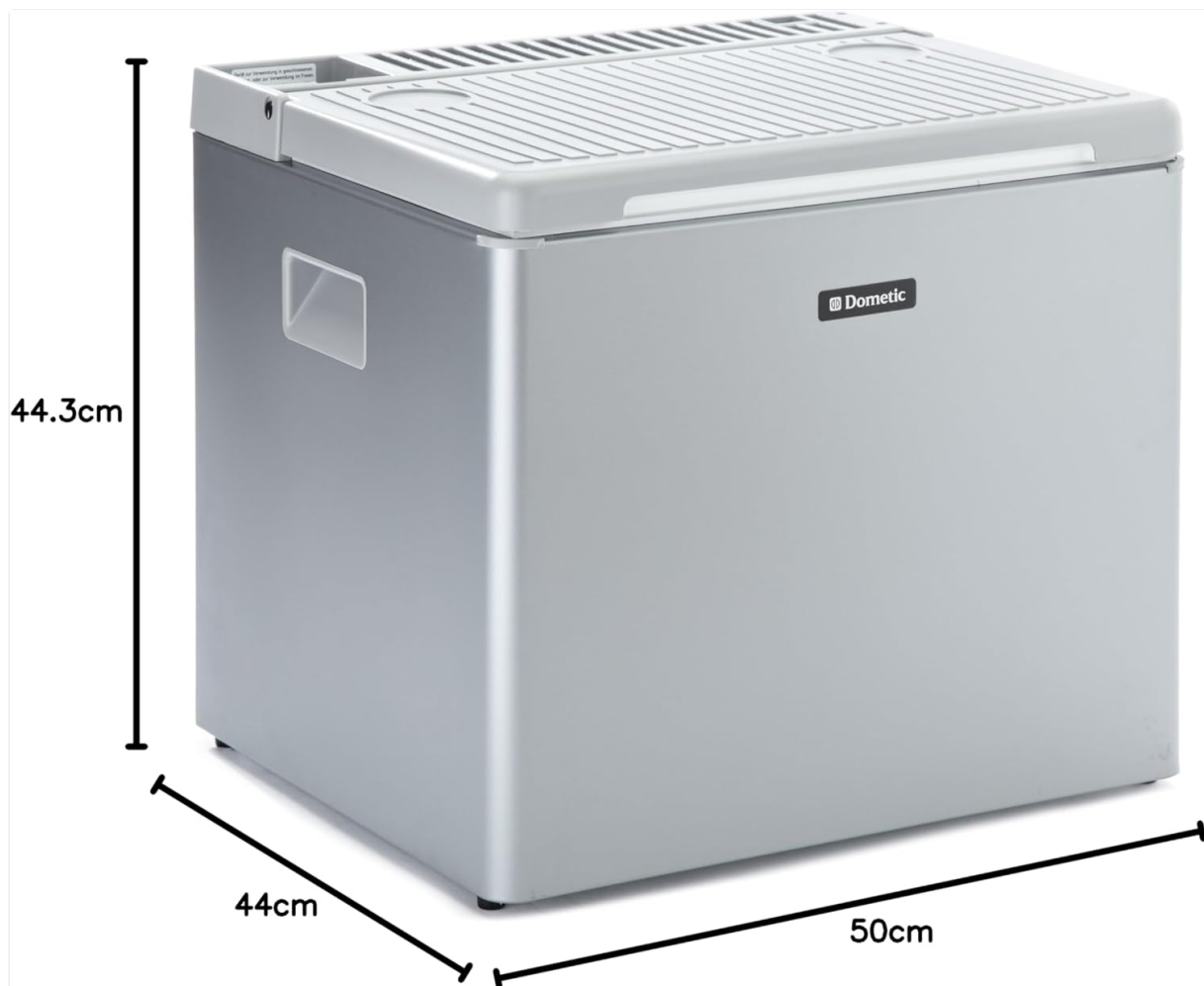


Figure 5: Cooler with key dimensions.

Feature	Detail
Model	RC 1600 EGP
Manufacturer	Dometic Waeco International GmbH
Product Dimensions (D x W x H)	44 cm x 50 cm x 44.3 cm
Weight	15 kg
Capacity	31 Liters
Power Sources	230V AC, 12V DC, Gas (50 mbar)
Voltage	230 Volt (AC), 12 Volt (DC)
Cooling Performance	Up to 30°C below ambient temperature
Refrigerant	R-290, R-600A, or R-32
Adjustable Temperature Control	No
Plug Type	CEE 7/16 Europlug (for 230V AC)

8. WARRANTY AND SUPPORT

For warranty information, please refer to the warranty card included with your product or visit the official Dometic website. If you require technical support, spare parts, or service, please contact Dometic customer service or an authorized service partner. Ensure you have your model number (RC 1600 EGP) and serial number ready when contacting support.

You can find more information and support resources on the official Dometic website www.dometic.com